



US 20240038033A1

(19) **United States**

(12) **Patent Application Publication**

Peters et al.

(10) **Pub. No.: US 2024/0038033 A1**

(43) **Pub. Date: Feb. 1, 2024**

(54) **SYSTEMS AND METHODS TO PROVIDE A PORTABLE ALERT DEVICE**

(52) **U.S. Cl.**
CPC *G08B 3/1016* (2013.01); *G08B 21/02* (2013.01)

(71) Applicant: **Birdie Love LLC**, Berkeley, CA (US)

(72) Inventors: **Alison Peters**, Los Angeles, CA (US);
Amy Ferber, Berkeley, CA (US)

(57) **ABSTRACT**

(21) Appl. No.: **18/485,586**

(22) Filed: **Oct. 12, 2023**

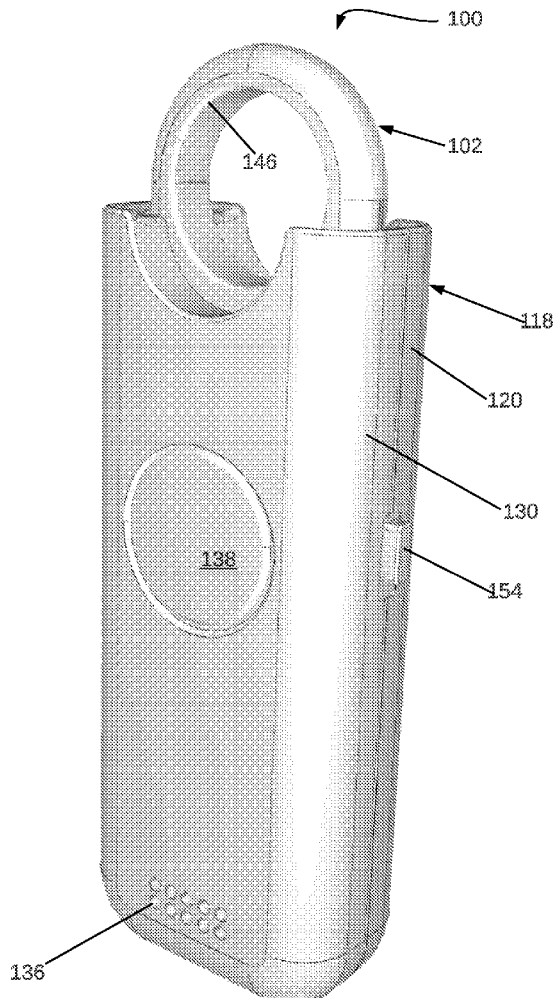
Related U.S. Application Data

(63) Continuation of application No. 18/180,478, filed on Mar. 8, 2023, now Pat. No. 11,790,738, which is a continuation of application No. 17/874,964, filed on Jul. 27, 2022, now Pat. No. 11,610,458, which is a continuation of application No. 17/695,749, filed on Mar. 15, 2022, now Pat. No. 11,443,599.

Systems and methods to provide a portable alert device are disclosed herein. The system may include a key component that includes a connector extending from a first side and a base component. The key component is shaped with a first indent and a second indent on opposite sides. The base component includes: a back piece shaped with a first ledge and a second ledge opposite the first ledge that extend out of an interior of the back piece; a front piece that joins with the back piece to enclose a portion of the key component so that the first ledge is positioned within the first indent and the second ledge is positioned with the second indent, the first ledge within the first indent and the second ledge within the second indent prevent the key component from entirely disengaging with the base component; a transceiver; and alert components.

Publication Classification

(51) **Int. Cl.**
G08B 3/10 (2006.01)
G08B 21/02 (2006.01)



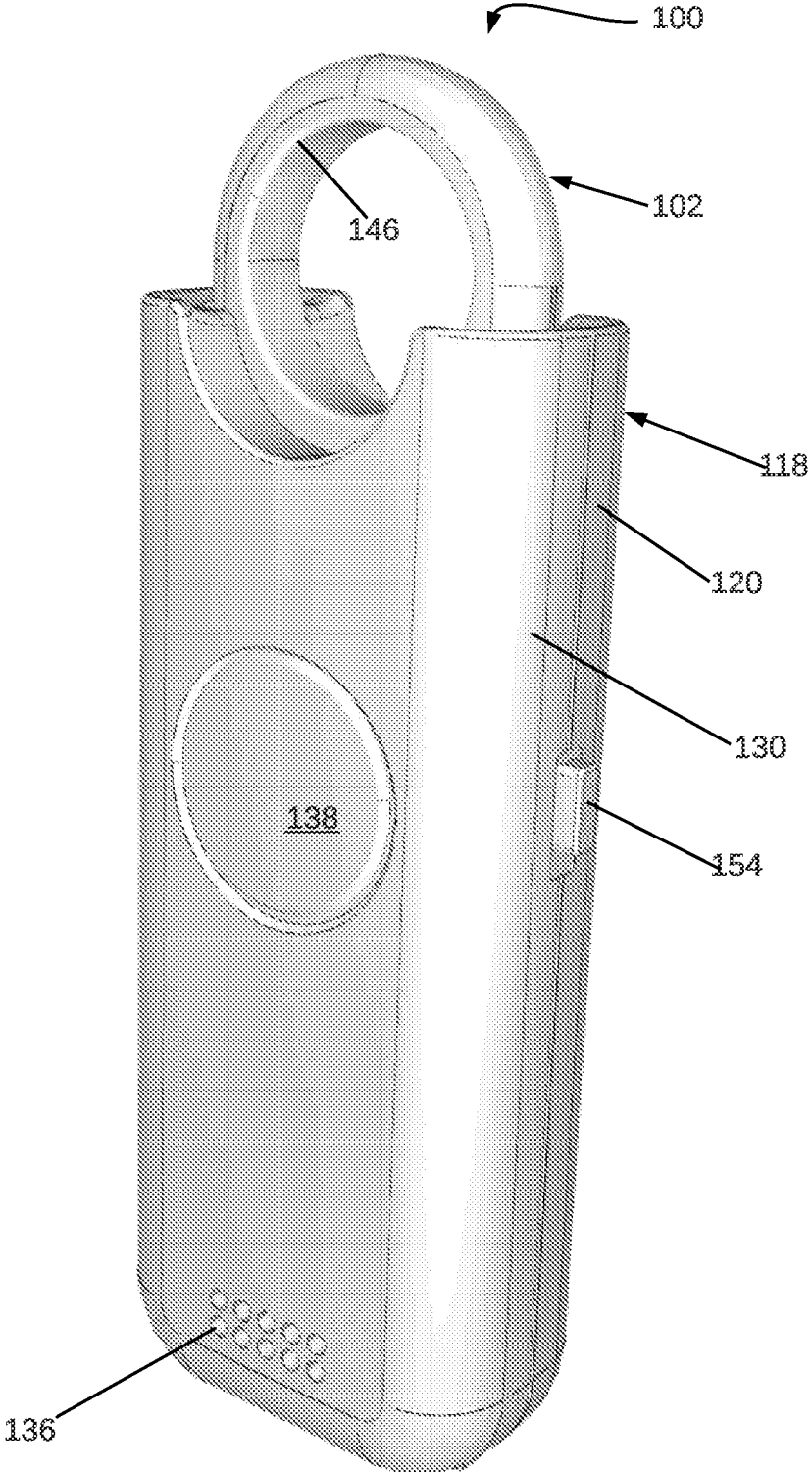


FIG. 1

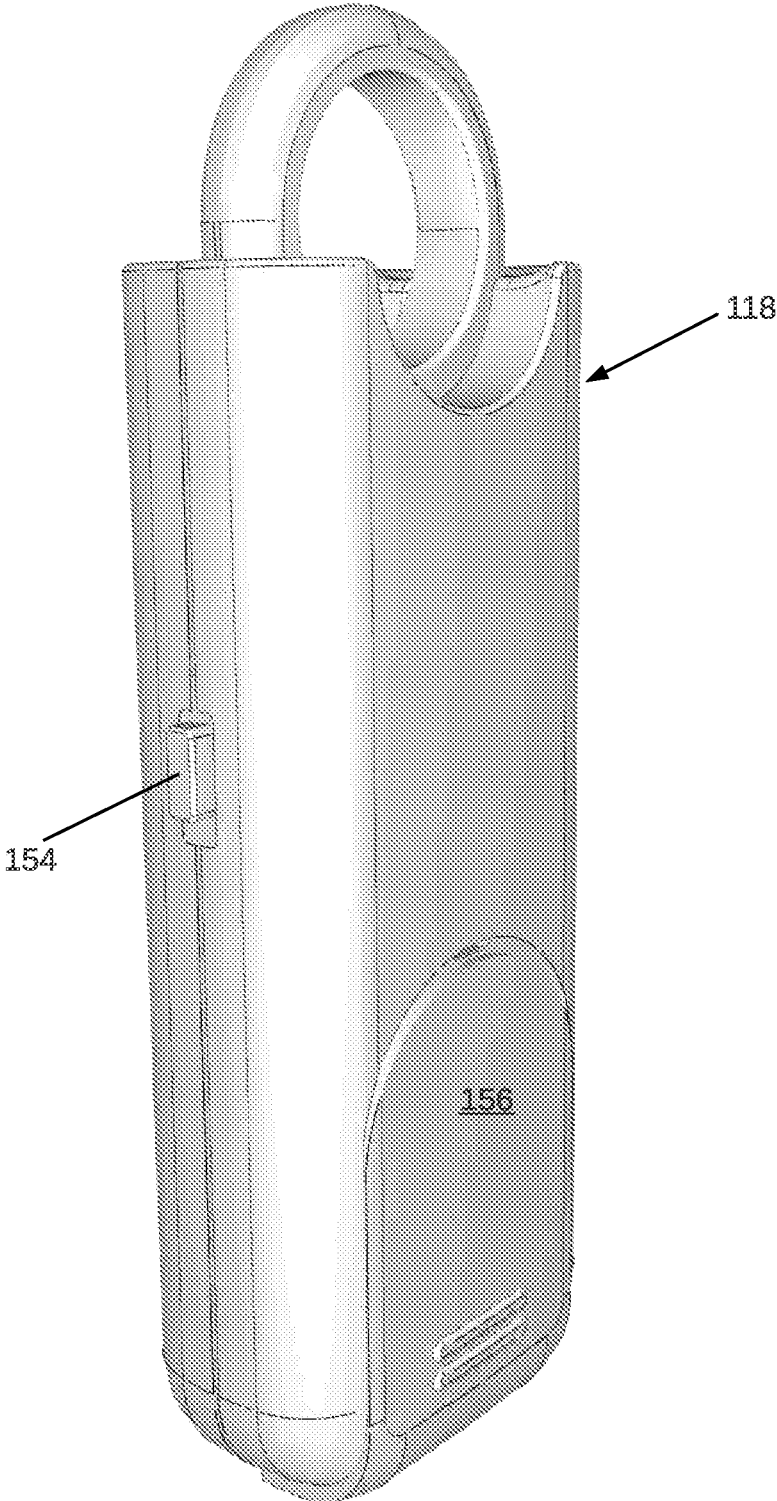


FIG. 2

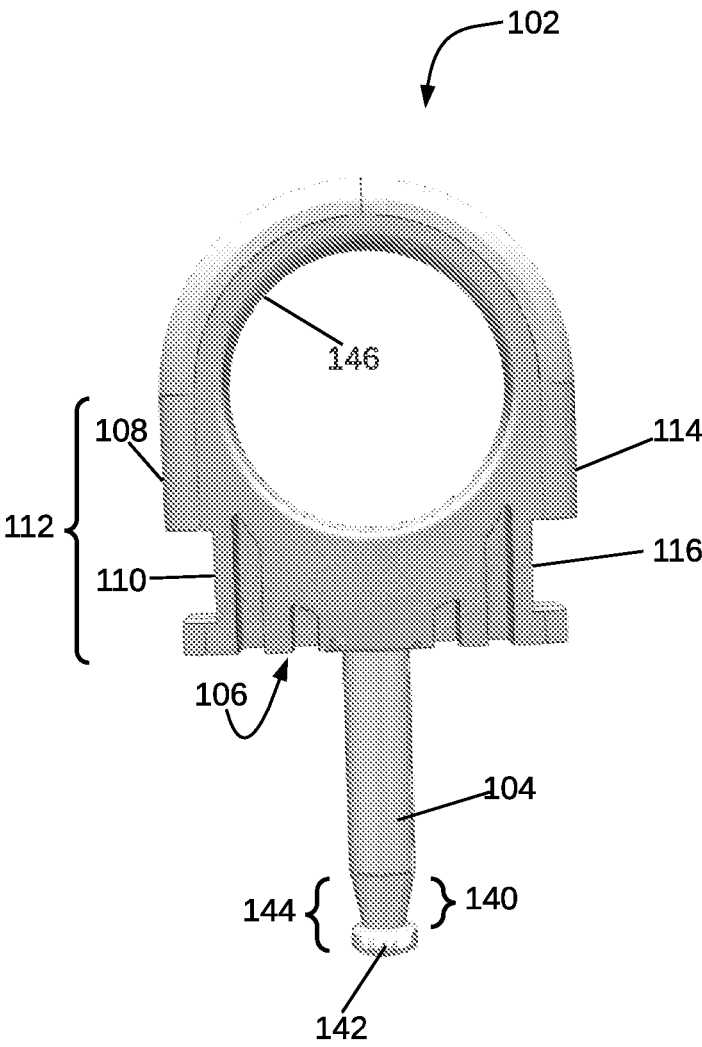


FIG. 3

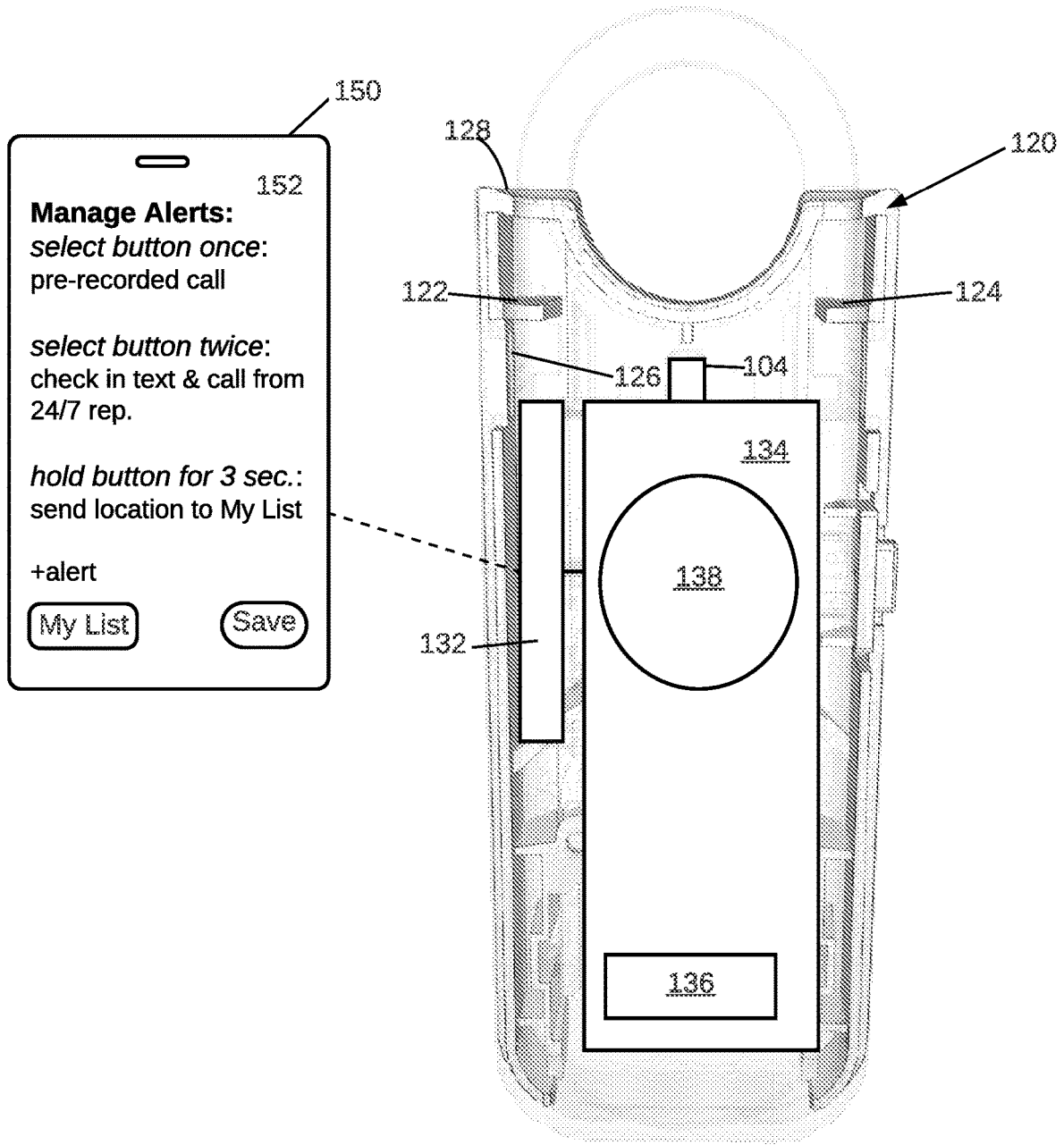


FIG. 4A

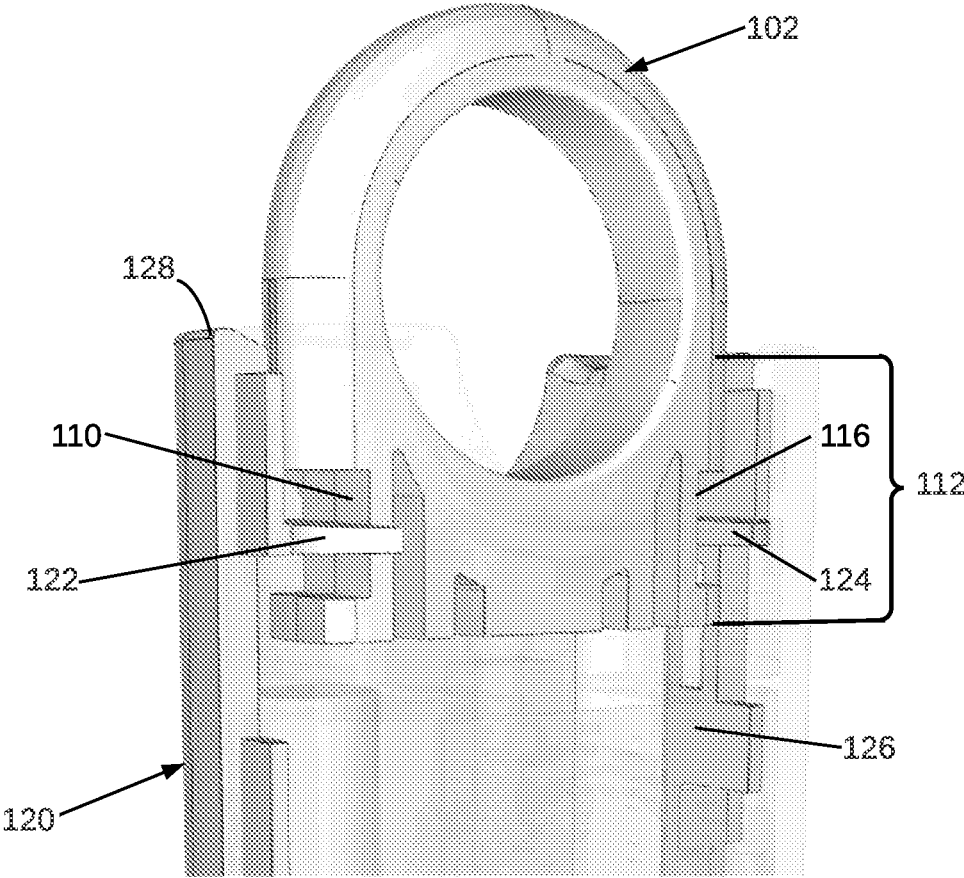


FIG. 4B

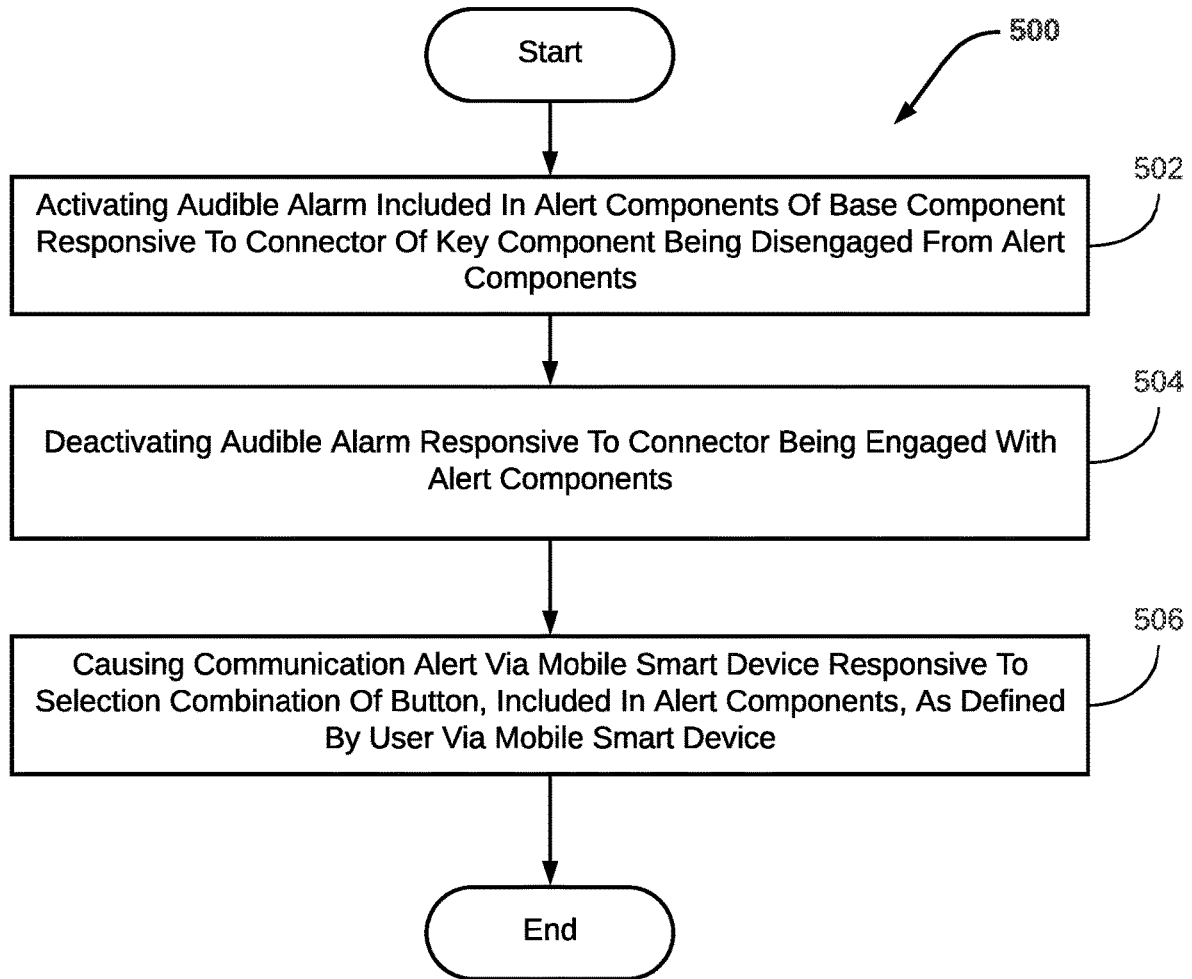


FIG. 5

SYSTEMS AND METHODS TO PROVIDE A PORTABLE ALERT DEVICE

FIELD OF THE DISCLOSURE

[0001] The present disclosure relates to systems and methods configured to provide a portable alert device.

BACKGROUND

[0002] Individuals often carry personal protection (e.g., mace, pepper spray, pocketknife) in unsafe circumstances. In such unsafe circumstances, the individuals may desire to activate an audible and/or visual alarm as a deterrent to a threat and/or to draw attention of bystanders. Alternatively, the individuals may desire to discretely alert others of their unsafe circumstances and/or to receive communications to confirm or unconfirm their safety.

SUMMARY

[0003] One aspect of the present disclosure relates to a portable alert device. The system may be in the form of a keychain or otherwise portable device comprising of two components, a key component and a base component, that may partially engage and disengage and/or effectuate communication alerts. Upon partial disengagement of the two components (i.e., intentionally by a user) an audible alarm may be activated. Conversely, the audible alarm may be deactivated upon engagement of the two components. Additionally, upon selections of a button on the base component, communication alerts may be effectuated such that the communication alerts are provided to a user of the portable alert device and/or user-specified correspondences of the user. Therefore, losing and/or breaking structural elements of the key component and/or the base component may be eliminated. Furthermore, the user of the portable alert device may be able to communicate with other people (e.g., friends, emergency services) to ensure their own safety.

[0004] The key component may include a connector and/or other components. The connector may extend out of a center of a first side of the key component. The connector may be bare metal or other material. A second side of the key component may be shaped with a first indent in a first portion of the key component. A third side of the key component may be shaped with a second indent in the first portion. The first indent may be opposite the second indent.

[0005] The base component may include a back piece, a front piece, a transceiver, alert components, and/or other components. The back piece may be shaped with a first ledge and a second ledge that extend out of an interior surface near a fourth side of the base component. The second ledge may be opposite the first ledge.

[0006] The front piece may join with the back piece to enclose the first portion of the key component. As such, the first ledge may be positioned within the first indent and the second ledge may be positioned with the second indent. Thus, an outward movement of the key component from the base component may be permitted while the first ledge within the first indent and the second ledge within the second indent prevent the key component from entirely disengaging with the base component.

[0007] The transceiver may be connected to the alert components. The connection may wirelessly link the alert components to a mobile smart device associated with a user

of the portable alert device to enable management of the alert components with a mobile application.

[0008] The alert components may include an audible alarm and a button connected to the transceiver. Different selection combinations of the button may be defined via the mobile application by the user to cause different communication alerts. The connector may engage with the alert components so that responsive to the connector being disengaged from the alert components, the audible alarm is activated, and responsive to the connector being engaged with the alert components, the audible alarm is deactivated.

[0009] These and other features, and characteristics of the present technology, as well as the methods of operation and functions of the related elements of structure and the combination of parts and economies of manufacture, will become more apparent upon consideration of the following description and the appended claims with reference to the accompanying drawings, all of which form a part of this specification, wherein like reference numerals designate corresponding parts in the various figures. It is to be expressly understood, however, that the drawings are for the purpose of illustration and description only and are not intended as a definition of the limits of the invention. As used in the specification and in the claims, the singular form of 'ca', 'can', and 'the' include plural referents unless the context clearly dictates otherwise.

BRIEF DESCRIPTION OF THE DRAWINGS

[0010] FIG. 1 illustrates a key component and a base component comprising a portable alert device, in accordance with one or more implementations.

[0011] FIG. 2 illustrates a back view of the portable alert device, in accordance with one or more implementations.

[0012] FIG. 3 illustrates the key component, in accordance with one or more implementations.

[0013] FIG. 4A illustrates an interior of the base component, in accordance with one or more implementations.

[0014] FIG. 4B illustrates a back piece of the base component and the key component, in accordance with one or more implementations.

[0015] FIG. 5 illustrates a method to provide alerts via a portable alert device, in accordance with one or more implementations.

DETAILED DESCRIPTION

[0016] FIG. 1 illustrates a front view portable alert device 100 configured to provide a portable alert device, in accordance with one or more implementations. In some implementations, portable alert device 100 may be configured of one or more of type of plastic, silicon, metal, and/or other materials. Portable alert device 100 may include a key component 102, a base component 118, and/or other components. Key component 102 may include an annular opening 146. In some implementations, opening 146 may be a square-shaped or other shaped opening. Opening 146 may enable finger(s) of a user of portable alert device 100 to join with key component 102. In some implementations, a key-chain ring (not pictured) may be attached to portable alert device 100 via opening 146 to facilitate attachment of portable alert device 100 to one or more keys, lanyards, and/or other items.

[0017] Base component 118 may include a back piece 120, a front piece 130, a transceiver 132 (see, FIG. 4A), alert

components **134**, a removeable battery door **156** (see, FIG. 2), a power switch **154**, and/or other components. Portable alert device **100** and its functionalities described herein may be battery-powered. Removeable battery door **156** may enable the user to change one or more batteries that power portable alert device **100**. In some implementations, the one or more batteries may be rechargeable via a port (not pictured) on base component **118**.

[0018] Alert components **134** may include an audible alarm **136**, a button **138** connected to transceiver **132**, a light (not pictured), and/or other alert components. In some implementations, alert components **134** may deter a threat and/or draw attention to portable alert device **100**. In some implementations, the light may be an LED light and/or other bright light. Audible alarm **136** may be unpleasant, loud, high pitched, repetitive, and/or other characteristics. In some implementations, audible alarm **136** may be greater than about 120 decibels, 130 decibels, 140 decibels; may be less than about 120 decibels, 130 decibels, 140 decibels; and/or may be within a range bounded at the upper end by any loudness of sound in the former listing of loudness of sound and bounded at the lower end by any loudness of sound in the latter listing of loudness of sound.

[0019] The use of the term “about” applies to all numeric values, whether or not explicitly indicated. This term generally refers to a range of numbers that one of ordinary skill in the art would consider as a reasonable amount of deviation to the recited numeric values (i.e., having the equivalent function or result). For example, this term can be construed as including a deviation of ± 2 decibels of the given numeric value provided such a deviation does not alter the end function or result of the value. Therefore, a value of about 130 decibels can be construed to be a range from 128 decibels to 132 decibels. Furthermore, a range may be construed to include the start and the end of the range. For example, a range of 120 decibels to 140 decibels (i.e., range of 120-140 decibels) includes 120 decibels and also includes 140 decibels, as well as decibels in between 120 decibels and 140 decibels, unless explicitly stated otherwise herein.

[0020] FIG. 3 illustrates key component **102**. Key component **102** may include a connector **104** and/or other components. Connector **104** may extend out a center of a first side **106** of key component **102**. Connector **104** may be bare metal and/or other materials. A second side **108** of the key component **102** may be shaped with a first indent **110** in a first portion **112** of the key component **102**. A third side **114** of the key component **102** may be shaped with a second indent **116** in first portion **112**. First indent **110** may be opposite second indent **116**. First indent **110** and second indent **116** may be rectangular, rounded, and/or be other shaped indents. In some implementations, first portion **112** of key component **102** may include a portion of the opening **146**. That is, some of opening **146** is considered to be in first portion **112**.

[0021] In some implementations, length of connector **104** may be about 10 millimeters, 11 millimeters, 11.5 millimeters; may be less than about 10 millimeters, 11 millimeters, 11.5 millimeters; and/or may be within a range bounded at the upper end by a length in the former listing of lengths and bounded at the lower end by any length in the latter listing of lengths. In some implementations, connector **104** may be cylindrical, square-shaped, triangular, and/or other shapes at the length. Connector **104** may include an end portion **144** that is furthest from key component **102**, particularly first

side **106**, from which connector **104** extends. End portion **144** may include a tapered section **140** and a rim **142**. Rim **142** may be attached to tapered section **140** so that rim **142** is the furthest point from first side **106**.

[0022] FIG. 4A illustrates back piece **120** of base component **118** described in FIG. 1. FIG. 4B illustrates back piece **120**, partially, and key component **102**. Referring to FIGS. 4A and 4B, back piece **120** may be shaped with a first ledge **122** and a second ledge **124** that extend out of an interior surface **126** near a fourth side **128** of back piece **120** and thus base component **118**. Second ledge **124** may be opposite the first ledge **122**. Referring to FIG. 4B, first ledge **122** may be positioned within first indent **110** and second ledge **124** may be positioned within second indent **116**. In some implementations, first ledge **122** may be flush against first indent **110**, and second ledge **124** may be flush against second indent **116**. In some implementations, first ledge **122** and second ledge **124** may be rounded, squared, triangular, and/or other shaped ledges that enable a shape of first indent **110** and second indent **116**, respectively, of key component **102** to prevent key component **102** from entirely disengaging from base component **118**.

[0023] Front piece **130** (see, FIG. 1) may join with back piece **120** to enclose first portion **112** (see, FIG. 3) of key component **102** as illustrated in FIG. 1-2. As such, first portion **112** may be between back piece **120** and front piece **130** and enclosed by such. An outward movement of key component **102** away from base component **118** may be permitted while first ledge **122** within first indent **110** and second ledge **124** within second indent **116** prevent key component **102** from entirely disengaging with base component **118**. An entirely disengaged key component **102** from base component **118** may refer to key component **102** physically separating from base component **118**.

[0024] Referring to FIG. 4A, connector **104** may engage with alert components **134** so that responsive to connector **104** being disengaged from alert components **134**, audible alarm **136** is activated, and responsive to connector **104** being engaged with alert components **134**, the audible alarm **136** is deactivated. In some implementations, connector **104** may particularly engage with a first alert component (not pictured) included in alert components **134**.

[0025] The deactivated alarm may refer to an absence of audible alarm **136**, the light, communication alerts, and/or other alerts so that portable alert device **100** is in an idle mode. Responsive to connector **104** being disengaged from alert components **134** (e.g., by a user), audible alarm **136** may be activated. Conversely, responsive to connector **104** being engaged with alert components **134**, audible alarm **136**, the light, communication alerts, and/or other alerts may be deactivated. Connector **104** may be disengaged from alert components **134** by the user pulling key component **102** and base component **118** in opposite directions or by the user pulling key component **102** outward from base component **118**. Upon such pulling or outward movement, key component **102** and base component **118** may not entirely detach from each other due to first ledge **122** positioned within first indent **110** and second ledge **124** positioned within second indent **116**, and first ledge **122** and second ledge **124** colliding with first indent **110** and the second indent **116**, respectively (see, FIG. 4A-B). Connector **104** may be engaged with alert components **134** by the user pushing key component **102** and base component **118** towards each other to secure key component **102** to base component **118**. In some implemen-

tations, a click sound may be caused upon engagement of connector **104** with alert component **134**.

[0026] Referring to FIG. 2, power switch **154** may be connected to audible alarm **136** described in FIG. 1 and FIG. 4A. Power switch **154** may enable function of audible alarm **136** upon disengagement and engagement of connector **104** from alert components **134**, as described herein. That is, upon power switch **154** being in an on-position, audible alarm **136** may be effectuated upon disengagement of connector **104** from alert components **134**. Conversely, upon power switch **154** being in an off-position, audible alarm **136** may not be effectuated upon disengagement of connector **104** from alert components **134**. In some implementations, upon effectuation of audible alarm **136** responsive to the disengagement, a change of power switch **154** from the on-position to the off-position may immediately deactivate audible alarm **136**.

[0027] Referring to FIG. 4A, transceiver **132** may be connected to alert components **134**. The connection may wirelessly link alert components **134** to a mobile smart device **150** associated with the user of portable alert device **100**. The wireless linkage may enable management of alert components **134** with a mobile application **152**. In some implementations, alert components **134** may discretely cause different communication alerts on behalf of the user and/or to the user. Different selection combinations of button **138** and/or the disengagement of key component **102** from base component **118** (see, FIG. 1) may be defined via mobile application **152** by the user to cause the different communication alerts.

[0028] The different communication alerts may include placement of a prerecorded call to mobile smart device **150**, communication (e.g., text or automated call) to another mobile smart device associated with a person (defined by the user) to initiate communication with the user via their mobile smart device **150** (e.g., call them), transmission of a text message and/or call from external resource(s) to mobile smart device **150**, transmission of a location of mobile smart device **150** to one or more other mobile smart devices, and/or other communication alerts. External resource(s) may include an emergency service, the police, and/or other external resources. The one or more other mobile smart devices may be associated with people that the user defined via the mobile application. For example, the one or more other mobile smart devices may be associated with one or more of a friend, a family member, a spouse, a partner, and/or other people. A list saved via mobile application **152** may include the people defined by the user, phone numbers to the respective one or more mobile smart devices, whether to call or text them, a priority of the people, a wait time, and/or other information (e.g., My list in FIG. 4A). The wait time may be a length of time to transpire before the next person on the list is contacted. The list may be stored to electronic storage (not pictured) managed by mobile application **152**, electronic storage (not pictured) of mobile smart device **150**, and/or other storage.

[0029] Individual ones of the communication alerts may be responsive to various individual selection combinations of button **138** or the disengagement of key component **102** from base component **118**. The selection combinations may include selecting button **138** once, selecting button **138** twice, selecting button **138** a particular number of times, holding down button **138** for a particular amount of time, and/or other selection combinations.

[0030] For example, the placement of the prerecorded call to mobile smart device **150** may be caused in response to a first selection combination of button **138** (e.g., select button **138** once). As another example, one or more people from the list may be transmitted a text message or an automated call to call the user on their mobile smart device **150** responsive to a second selection combination of button **138** (e.g., select button **138** twice). As another example, the transmission of the text message may be caused in response to a third selection combination of button **138** (e.g., a long hold of button **138**). As another example, the transmission of the location may be caused in response to a fourth selection combination of button **138** (e.g., 5 or more rapid selections of button **138**).

[0031] FIG. 5 illustrates a method **500** to provide alerts via a portable alert device, in accordance with one or more implementations. The operations of method **500** presented below are intended to be illustrative. In some implementations, method **500** may be accomplished with one or more additional operations not described, and/or without one or more of the operations discussed. Additionally, the order in which the operations of method **500** are illustrated in FIG. 5 and described below is not intended to be limiting.

[0032] An operation **502** may include activating an audible alarm included in alert components of a base component responsive to a connector of a key component being disengaged from the alert components (e.g., by a user). The connector may extend out a center of a first side of the key component (See, descriptions for connector **104** and first side **106** of key component **102** as referenced in FIG. 1-4). The key component may be shaped with a first indent on a second side of the key component and a second indent on a third side of the key component opposite the second side (See, descriptions for first indent **110** on second side **108** and second indent **116** on third side **114** of key component **102** and/or other components as referenced in FIG. 1-4). The base component may include a back piece shaped with a first ledge that is positioned within the first indent and a second ledge that is positioned within the second indent to prevent the key component from entirely disengaging with the base component when the back piece joined with a front piece encloses part of the key component.

[0033] An operation **504** may include deactivating the audible alarm responsive to the connector being engaged with the alert components (e.g., by the user). The audible alarm may be idle or otherwise silent when the connector is engaged with the alert components. See, descriptions for alert component **134** and audible alarm **136** of base component **118** and/or other components as referenced in FIG. 1-4.

[0034] An operation **506** may include causing a communication alert via a mobile smart device responsive to a selection combination of a button as defined by the user via the mobile smart device. The button may be included in the alert components. The communication alert responsive to the selection combination may be defined with a mobile application via the mobile smart device. See, descriptions for alert component **134** and button **138** of base component **118** and/or other components as referenced in FIG. 1-4.

[0035] Although the present technology has been described in detail for the purpose of illustration based on what is currently considered to be the most practical and preferred implementations, it is to be understood that such detail is solely for that purpose and that the technology is not

limited to the disclosed implementations, but, on the contrary, is intended to cover modifications and equivalent arrangements that are within the spirit and scope of the appended claims. For example, it is to be understood that the present technology contemplates that, to the extent possible, one or more features of any implementation can be combined with one or more features of any other implementation.

What is claimed is:

1. A portable alert device, the portable alert device comprising:

a key component including a connector, wherein the key component forms a first opening that facilitates a user's grip of the key component, wherein the connector extends out of a first side of the key component, wherein:

a second side of the key component forms a first indent, a third side of the key component, opposite the second side of the key component, forms a second indent; and

a base component with a first end and a second end opposite the first end, wherein the first end is formed with a cavity opening into a cavity of the base component, wherein an interior surface of the cavity is formed to permit the key component to partially withdraw from the cavity through the cavity opening and prevent the key component from entirely withdrawing from the cavity of the base component, the base component housing:

a transceiver connected to alert components and wirelessly enables management of the alert components with a mobile application, and

the alert components including an audible alarm and a button connected to the transceiver, wherein different selection combinations of the button, different communication alerts that are caused by the different selection combinations, and a set of recipients to receive one or more of the communication alerts are defined via the mobile application by the user, wherein the connector engages with the alert components so that:

responsive to the connector being disengaged from the alert components, the audible alarm is activated,

responsive to the connector being engaged with the alert components, the audible alarm is deactivated.

2. The portable alert device of claim **1**, wherein the connector is 11 millimeters in length.

3. The portable alert device of claim **1**, wherein the connector includes an end portion that is furthest from the key component, wherein the end portion is formed with a tapered section and a rim that is attached to the tapered section.

4. The portable alert device of claim **1**, wherein the connector is cylindrical.

5. The portable alert device of claim **1**, wherein the opening of the key component is circular.

6. The portable alert device of claim **1**, wherein the alert components are battery powered, and wherein the back piece further includes a removable battery door.

7. The portable alert device of claim **1**, wherein the audible alarm is 130 decibels.

8. The portable alert device of claim **1**, wherein the different communication alerts include placement of a pre-

recorded call to a mobile smart device associated with the user of the portable alert device, transmission of a first text message from an external resource to the mobile smart device and a second text message from the external resource to mobile devices associated with the set of recipients, and transmission of a location of the mobile smart device to one or more of the mobile devices associated with the set of recipients.

9. The portable alert device of claim **1**, wherein the different selection combinations include a single selection of the button, two consecutive selections of the button, and holding down the button for a particular amount of time.

10. The portable alert device of claim **1**, further comprising a power switch connected to the audible alarm that enables function of the audible alarm upon disengagement and engagement of the connector from the alert components.

11. A method for providing alerts via a portable alert device, the method comprising:

responsive to a connector included in a key component being disengaged from alert components housed in a base component, activating an audible alarm included in the base component, wherein the connector is engaged with the alert components to enable such disengagement, wherein the key component forms a first opening that facilitates a user's grip of the key component, wherein the connector extends out of a first side of the key component, wherein:

a second side of the key component forms a first indent, a third side of the key component, opposite the second side of the key component, forms a second indent,

the base component includes a first end and a second end opposite the first end, wherein the first end is formed with a cavity opening into a cavity of the base component, wherein an interior surface of the cavity is formed to permit the key component to partially withdraw from the cavity through the cavity opening and prevent the key component from entirely withdrawing from the cavity of the base component,

a transceiver housed by the base component is connected to the alert components and wirelessly enables management of the alert components with a mobile application, and

the alert components including the audible alarm and a button connected to the transceiver, wherein different selection combinations of the button, different communication alerts that are caused by the different selection combinations, and a set of recipients to receive one or more of the communication alerts are defined via the mobile application by the user; and responsive to the connector being engaged with the alert components, deactivating the audible alarm.

12. The method of claim **11**, wherein the connector is 11 millimeters in length.

13. The method of claim **11**, wherein the connector includes an end portion that is furthest from the key component, wherein the end portion is formed with a tapered section and a rim that is attached to the tapered section.

14. The method of claim **11**, wherein the connector is cylindrical.

15. The method of claim **11**, wherein the opening of the key component is circular.

16. The method of claim **11**, wherein the alert components are battery powered, and wherein the back piece further includes a removeable battery door.

17. The method of claim **11**, wherein the audible alarm is 130 decibels.

18. The method of claim **11**, wherein the different communication alerts include placement of a prerecorded call to a mobile smart device associated with the user of the portable alert device, transmission of a first text message from an external resource to the mobile smart device and a second text message from the external resource to mobile devices associated with the set of recipients, and transmission of a location of the mobile smart device to one or more of the mobile devices associated with the set of recipients.

19. The method of claim **11**, wherein the different selection combinations include a single selection of the button, two consecutive selections of the button, and holding down the button for a particular amount of time.

20. The method of claim **11**, the base component further comprising a power switch connected to the audible alarm that enables function of the audible alarm upon disengagement and engagement of the connector from the alert components.

* * * * *