

Feb. 4, 1969

A. J. STRONG

3,425,065

COMBINATION SINK PROTECTOR AND POT SUPPORT

Filed June 6, 1967

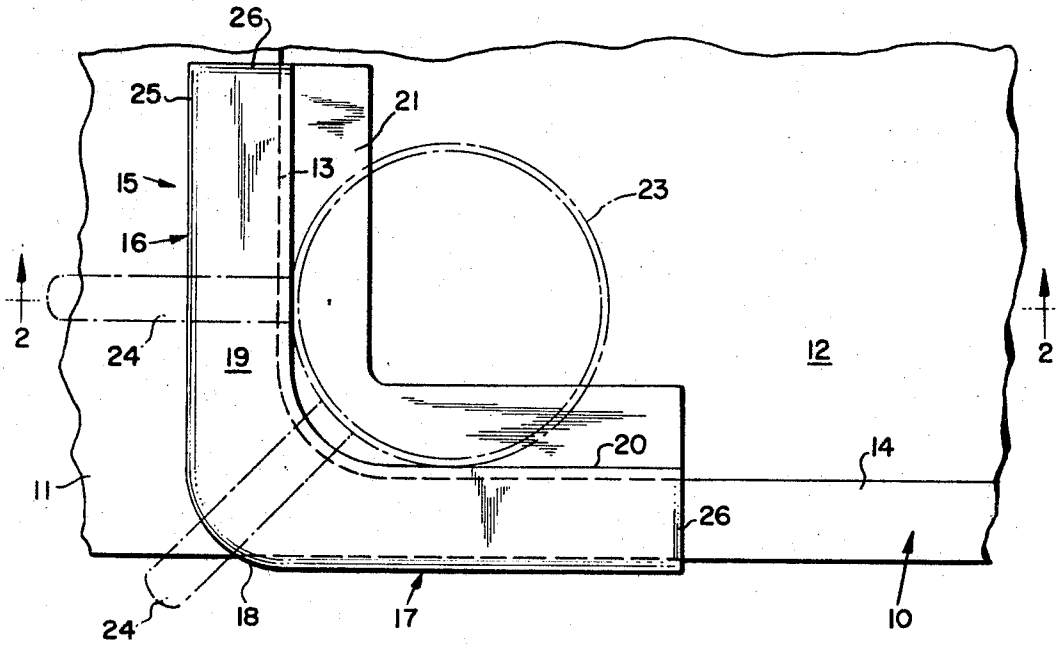


FIG. 1

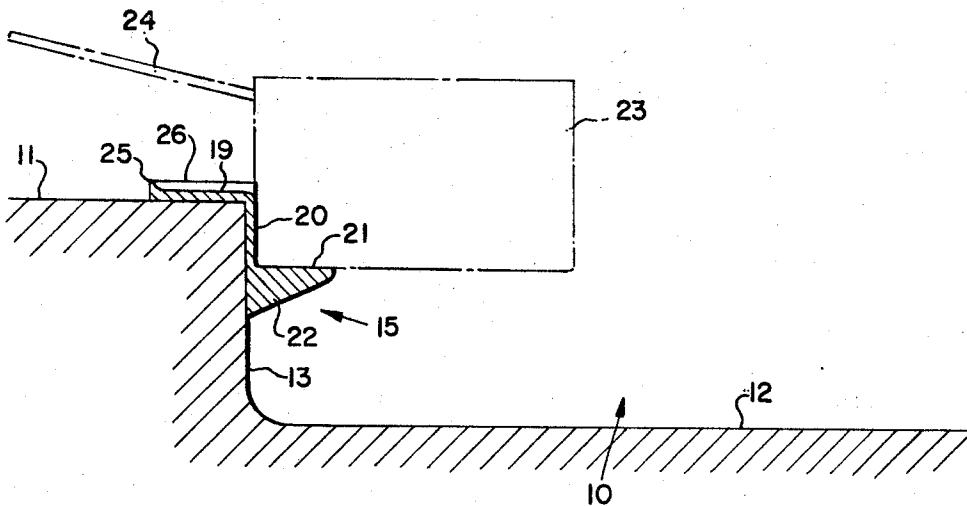


FIG. 2

INVENTOR
ARTHUR J. STRONG

BY

Hedermann

ATTORNEY

1

3,425,065

COMBINATION SINK PROTECTOR AND POT SUPPORT

Arthur J. Strong, Mineola, N.Y.
(R.D. 2, Box 141, Narrowsburg, N.Y. 12764)
Filed June 6, 1967, Ser. No. 643,859

U.S. Cl. 4-1

3 Claims

Int. Cl. A47k 17/00; E03c 1/18; A47f 5/00

ABSTRACT OF THE DISCLOSURE

A unitary member which is angle- or elbow-shaped in plan view, complementarily to a corner of a sink, and is composed of an upright wall having a ledge extending outward from the top edge thereof and a shelf extending inward from the bottom edge thereof. The member is adapted to be mounted on top of a corner of the sink with the said wall engaging the inside of the sink corner walls, with the ledge resting on said top of the corner and with said shelf extending over the bottom of the sink.

An object of the present invention is to provide a kitchen accessory by the use of which a pot or the like may be cleaned substantially in a sink without marring the porcelain finish as well as in a manner which is very convenient to the person doing the cleaning.

A further object of the invention is the provision of a unitary member adapted to be supported on a corner of a sink and provided with a shelf extending over the sink bottom at a level above the latter, which shelf is adapted to have a pot or the like supported thereon and held against the corner of the member while the pot is being cleaned.

Other objects will become apparent in the following description, reference being had to the accompanying drawing wherein:

FIG. 1 is a fragmentary top plan view of a sink and a counter adjacent thereto, with the device of the present invention mounted in position for use, and showing a pot in phantom.

FIG. 2 is a sectional view taken on the line 2-2 of FIG. 1, also showing the pot in phantom.

Referring in detail to the drawing, the numeral 10 indicates a sink, such as a kitchen sink which is here shown as a continuity or extension of a counter 11, this being common in kitchen installations.

The sink floor 12 is of course surrounded as usual by four walls. For the purpose of illustrating the invention, only a portion of the side wall 13 adjacent the counter, and the front wall 14, are shown in the drawing.

The device of the invention consists of a unitary member 15 which is angled-shaped or elbow-shaped in plan view and hence it is complementary to what will herein be termed a corner of the sink. It is to be understood that the term "corner" includes not only the vertical line or area of intersection of the walls 13 and 14 but also portions of the side walls for a distance from the said intersection.

The member 15 is preferably made of a suitable plastic material, of which one known under the trademark "Teflon" is an example. The member 15 includes two arms or arm portions 16 and 17 at right angles to each other joined by a more or less rounded central portion 18. The member is made of an upper ledge portion 19, a vertical wall portion 20, and a lower shelf portion 21 which is preferably angularly thickened at 22 into a substantially triangular cross-section, to strengthen the same. The ledge 19 extends outwardly

2

from the top of the wall portion 20 while the shelf 21 extends inwardly from the bottom of the wall portion 20 and over the sink bottom 12. The height of the wall portion 20 is substantially less than the depth of the sink.

In order to clean a pot such as, for example, that shown in phantom at 23, instead of setting it either on the counter, on the wall 14, or on the floor of the sink, it is set upon the shelf 21 and held against the corner of the member 15. With the handle held in any suitable position, two such positions being shown in FIG. 1, the circumferential wall of the pot engages wall 20 at two places, as is obvious. Any pot so positioned, whether provided with a handle or not, may be held with one hand both down upon the shelf 21 and against the corner of the wall 20. Thus the pot is securely and firmly held with one hand while the other hand cleans it, and the latter may exert considerable pressure upon the pot without dislodging it from its seat.

For convenience in thus cleaning a well supported pot, the shelf 21 is at a position below the level of the counter 11 and above the bottom or floor of the sink.

In order to prevent spillage from the pot, while it is being cleaned, from reaching the counter or the kitchen floor, a raised lip or bead 25 is provided around the outer edges of the ledge 19 and similar lips or beads 26 are provided at the ends of the ledge. Thus it is obvious that spillage from the pot which passes on to the ledge will be constrained from flowing over the outer edge thereof and has its only exit into the sink.

While the invention has been described with particular reference to the construction shown in the drawing such is not to be construed as a limitation of the invention which is best defined in the appended claims.

I claim:

1. In combination with a sink having surrounding walls provided with vertical inner surfaces, a sink protector and pot support comprising a unitary member elbow-shaped in plan view consisting of a central portion and two arms extending at mutually right angles from said central portion, said member including a vertical wall portion in contact with said inner surfaces at a corner of the sink, a horizontal ledge extending outwardly from the top edge of said vertical wall portion in engagement with the top surfaces of said surrounding walls, and a horizontal shelf extending inwardly from the bottom edge of said vertical wall portion.

2. A combination according to claim 1, said ledge having a raised lip on the outer edge thereof and raised lips on the ends thereof.

3. A combination according to claim 1, said shelf having the lower portion thereof thickened into a substantially triangular cross-section.

References Cited

UNITED STATES PATENTS

1,718,126	6/1929	Elovson	4-5
2,691,237	10/1954	Heim	4-187
2,765,998	10/1956	Engert	248-205 X
2,923,025	2/1960	Liftman	15-268

FOREIGN PATENTS

114,319	12/1941	Australia.
1,188,919	3/1959	France.

ROY D. FRAZIER, *Primary Examiner.*

J. F. FOSS, *Assistant Examiner.*

U.S. Cl. X.R.

4-187; 15-268; 248-310