



- (51) International Patent Classification:  
*B25H 1/00* (2006.01)     *F16M 11/00* (2006.01)  
*A47B 81/06* (2006.01)     *F21S 9/02* (2006.01)
- (21) International Application Number: PCT/PL2015/000175
- (22) International Filing Date: 29 October 2015 (29.10.2015)
- (25) Filing Language: English
- (26) Publication Language: English
- (30) Priority Data:  
P-410465     12 December 2014 (12.12.2014)     PL
- (71) Applicant: **EDBAK SP. Z O.O.** [PL/PL]; 23-107 Strzyżewice, Piotrowice 186 (PL).
- (72) Inventor: **BAK, Edward**; 23-107 Strzyżewice, Piotrowice 186 (PL).
- (74) Agent: **CIENIUCH-KOKOWICZ, Anna**; ul. Lipska 24, PL-20-510 Lublin (PL).
- (81) Designated States (unless otherwise indicated, for every kind of national protection available): AE, AG, AL, AM,

AO, AT, AU, AZ, BA, BB, BG, BH, BN, BR, BW, BY, BZ, CA, CH, CL, CN, CO, CR, CU, CZ, DE, DK, DM, DO, DZ, EC, EE, EG, ES, FI, GB, GD, GE, GH, GM, GT, HN, HR, HU, ID, IL, IN, IR, IS, JP, KE, KG, KN, KP, KR, KZ, LA, LC, LK, LR, LS, LU, LY, MA, MD, ME, MG, MK, MN, MW, MX, MY, MZ, NA, NG, NI, NO, NZ, OM, PA, PE, PG, PH, PL, PT, QA, RO, RS, RU, RW, SA, SC, SD, SE, SG, SK, SL, SM, ST, SV, SY, TH, TJ, TM, TN, TR, TT, TZ, UA, UG, US, UZ, VC, VN, ZA, ZM, ZW.

- (84) Designated States (unless otherwise indicated, for every kind of regional protection available): ARIPO (BW, GH, GM, KE, LR, LS, MW, MZ, NA, RW, SD, SL, ST, SZ, TZ, UG, ZM, ZW), Eurasian (AM, AZ, BY, KG, KZ, RU, TJ, TM), European (AL, AT, BE, BG, CH, CY, CZ, DE, DK, EE, ES, FI, FR, GB, GR, HR, HU, IE, IS, IT, LT, LU, LV, MC, MK, MT, NL, NO, PL, PT, RO, RS, SE, SI, SK, SM, TR), OAPI (BF, BJ, CF, CG, CI, CM, GA, GN, GQ, GW, KM, ML, MR, NE, SN, TD, TG).

**Published:**  
— with international search report (Art. 21(3))

(54) Title: WORKSHOP LOCKER

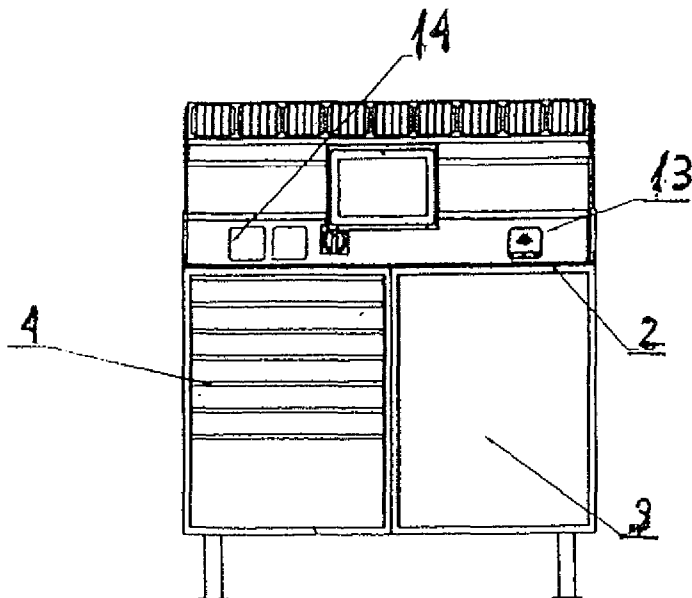


Fig. 1

(57) Abstract: The invention solves the problem of constructing a workshop locker, which allows universal scope of usage with direct use of tablet. It also provides universal location in places with no access to the electricity network. Workshop locker characterized in that the work table (2) has a back wall, (5) which ends with back panel (6) of photovoltaic structure and equipped with rotating mounting handle (8) for placing tablet (9), card reader (13) and electric power pack (14), wherein rotating mounting handle (8) has tray (10) and an arm with hinge (11) and shaped element (12).



## Workshop locker

The subject of invention is a workshop locker especially dedicated for tools, electronic devices, multimedia and maintenance works of universal purposes.

From the description of utility model no. W.107488 we know cabinet for multimedia characterized in that it consists of upper and lower parts, separated with a horizontal shelf, wherein front part of its side walls are S-shaped from the side perspective. The upper part is equipped with shutter sliding in profiled front cavities, inside surface of side walls and with an open shelf which is far less deep than this part of cabinet. The bottom part of cabinet is equipped with sliding drawer in its top part, which is attached to the horizontal shelf with brackets. Between sliding drawer and bottom ending of cabinet there is a sliding shelf placed rail guides placed, which divides the bottom part of cabinet into bigger box niche and storage. The bottom cabinet wall has profiled C-shaped cavity and moving wheels.

From the description of invention no. PL 213435 we know the method of closing a cabinet and a cabinet especially dedicated to electronic and telecommunication devices. Cabinet has casing, doors and blocking mechanism, wherein doors end with a Z-shaped cutout from the top and along their side edges they have equally distributed at least two attachments cooperating with holes made in cabinet's casing and angle parts placed longitudinally. Doors have from the bottom front reinforcement of the shape of closed profile and C-shaped side bending. In the casing of the cabinet, in its bottom part there is C-shaped bend and in the upper part there is angle element placed and angle corner from the outside. Blocking mechanism is made of horizontally situated lock in the lower part of casing. Latch of the lock slides transversely into front reinforcement of the doors and to C-shaped

bending of casing, goes into hole made in the front reinforcement and a hole coaxially situated to it, made in C-shaped bending.

The essence of the workshop locker, according to the invention, is that the work table has a back wall, which ends with back panel of photovoltaic structure and equipped with rotating mounting handle for placing tablet, card reader and electric power pack and has LED lamp, wherein rotating mounting handle has tray and an arm with hinge and shaped element.

The solution according to the invention allows universal usage of workshop locker with direct usage of tablet placed with 360° rotation possibility, as well as it allows the universality of location in places with no access to electricity network.

The invention is visualised in an installation example on the figure. Fig. 1 shows workshop locker from the front perspective, Fig. 2 shows workshop locker from the side perspective and Fig.3 shows rotating assembly hold from the side perspective.

Workshop locker according to the invention has the casing body 1 of cuboid outline, of construction made of high quality steel sheet, laser-cut, bent and welded. The casing body 1 has work table 2, niche with door 3 from one side and set of drawers on the other side 4.

Work table 2 of body casing 1 is equipped with a back wall 5 ending with back panel 6 of photovoltaic structure. The back wall 5 has LED lamp 7 and is equipped with rotating mounting handle 8 of 360° rotation possibility dedicated for locating there a tablet 9.

Rotating mounting handle 8 has tray 10, an arm with hinge 11 and shaped mounting element 12 for the tablet.

Back wall 5 is equipped with card reader 13 and electric power pack 14.

**Patent claim**

Workshop locker, having body of casing with work table placed on legs and having doors and drawers, **characterized in that** the work table (2) has a back wall, (5) which ends with back panel (6) of photovoltaic structure and equipped with rotating mounting handle (8) for placing tablet (9), card reader (13) and electric power pack (14) and has LED lamp, wherein rotating mounting handle (8) has tray (10) and an arm with hinge (11) and shaped element (12).

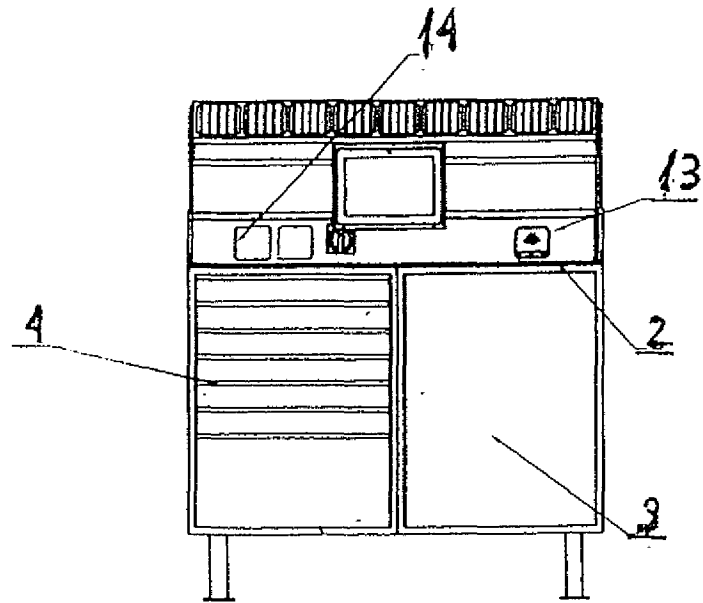


Fig. 1

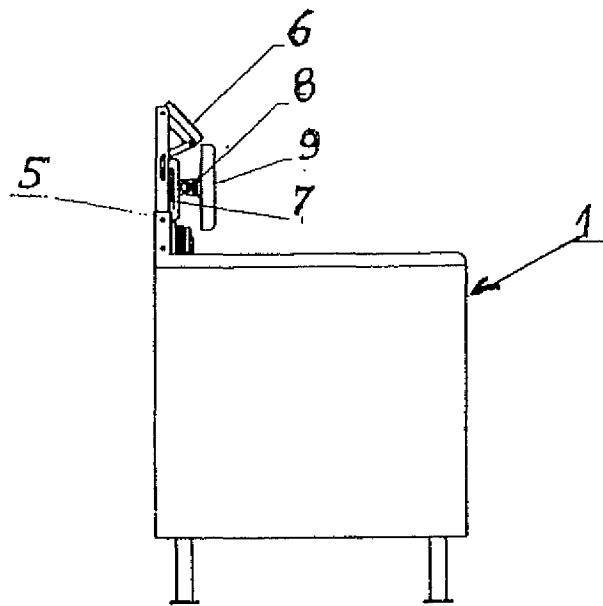


Fig. 2

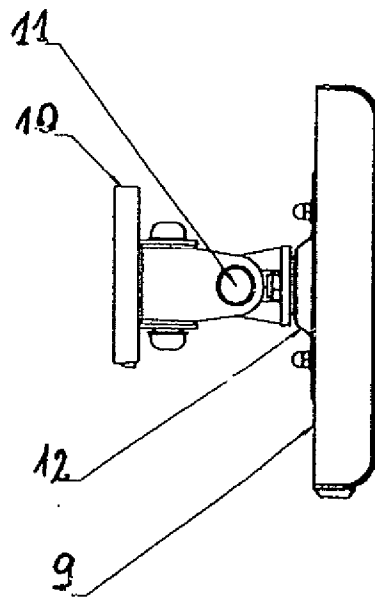


Fig. 3

**INTERNATIONAL SEARCH REPORT**

International application No  
PCT/PL2015/000175

**A. CLASSIFICATION OF SUBJECT MATTER**  
 INV. B25H1/00  
 ADD. A47B81/06 F16M11/00 F21S9/02

According to International Patent Classification (IPC) or to both national classification and IPC

**B. FIELDS SEARCHED**  
 Minimum documentation searched (classification system followed by classification symbols)  
 B25H A47B F16M F21S

Documentation searched other than minimum documentation to the extent that such documents are included in the fields searched

Electronic data base consulted during the international search (name of data base and, where practicable, search terms used)  
 EPO-Internal, WPI Data

**C. DOCUMENTS CONSIDERED TO BE RELEVANT**

Category*	Citation of document, with indication, where appropriate, of the relevant passages	Relevant to claim No.
Y	CN 203 579 609 U (E MAKE CO LTD) 7 May 2014 (2014-05-07) figures 1-3	1
Y	----- JP 2006 230771 A (ITOKI CORP) 7 September 2006 (2006-09-07) abstract; figures 1-16	1
A	----- JP 2014 090738 A (OKAMURA CORP) 19 May 2014 (2014-05-19) figures 1-8	1

Further documents are listed in the continuation of Box C.

See patent family annex.

\* Special categories of cited documents :

- "A" document defining the general state of the art which is not considered to be of particular relevance
- "E" earlier application or patent but published on or after the international filing date
- "L" document which may throw doubts on priority claim(s) or which is cited to establish the publication date of another citation or other special reason (as specified)
- "O" document referring to an oral disclosure, use, exhibition or other means
- "P" document published prior to the international filing date but later than the priority date claimed

- "T" later document published after the international filing date or priority date and not in conflict with the application but cited to understand the principle or theory underlying the invention
- "X" document of particular relevance; the claimed invention cannot be considered novel or cannot be considered to involve an inventive step when the document is taken alone
- "Y" document of particular relevance; the claimed invention cannot be considered to involve an inventive step when the document is combined with one or more other such documents, such combination being obvious to a person skilled in the art
- "&" document member of the same patent family

Date of the actual completion of the international search <b>1 February 2016</b>	Date of mailing of the international search report <b>08/02/2016</b>
---	---

Name and mailing address of the ISA/ European Patent Office, P.B. 5818 Patentlaan 2 NL - 2280 HV Rijswijk Tel. (+31-70) 340-2040, Fax: (+31-70) 340-3016	Authorized officer  <b>Jacquemin, Martin</b>
--	--

# INTERNATIONAL SEARCH REPORT

Information on patent family members

International application No

PCT/PL2015/000175

Patent document cited in search report	Publication date	Patent family member(s)	Publication date
CN 203579609	U	07-05-2014	NONE
JP 2006230771	A	07-09-2006	NONE
JP 2014090738	A	19-05-2014	NONE