



US00D684211S

(12) **United States Design Patent**  
**Roth et al.**

(10) **Patent No.:** **US D684,211 S**  
(45) **Date of Patent:** **\*\* Jun. 11, 2013**

- (54) **GREETING CARD MASK-CAT**
- (71) Applicant: **American Greetings Corporation**,  
Cleveland, OH (US)
- (72) Inventors: **Rob Roth**, Hudson, OH (US); **Annie Deckerd**, Elyria, OH (US)
- (73) Assignee: **American Greetings Corporation**,  
Cleveland, OH (US)
- (\*\*) Term: **14 Years**
- (21) Appl. No.: **29/435,429**
- (22) Filed: **Oct. 24, 2012**
- (51) **LOC (9) Cl.** ..... **19-01**
- (52) **U.S. Cl.**  
USPC ..... **D19/2**
- (58) **Field of Classification Search**  
USPC ..... D19/1-8, 82, 100; 40/124.01-124.15,  
40/582, 540, 443, 442, 902, 672, 617, 599,  
40/331, 359, 360, 625, 717, 455, 124.191;  
446/147; 362/806, 808; 428/42.1, 203-204,  
428/913.3; 283/2-4, 74-75, 91, 103, 105-106;  
D20/10, 22, 42, 27, 40; 229/92, 92.1, 92.8,  
229/300-303; D11/131, 117; 206/449, 308.3;  
D2/714; D21/660  
See application file for complete search history.

D523,492 S *	6/2006	Sarushashi	.....	D21/660
D641,779 S *	7/2011	McClain et al.	.....	D19/7
D642,612 S *	8/2011	McClain et al.	.....	D19/7
D642,613 S *	8/2011	McClain et al.	.....	D19/7
8,208,453 B2 *	6/2012	Tao	.....	370/338
8,230,624 B2 *	7/2012	Sapp et al.	.....	40/124.03
D672,806 S *	12/2012	Roth et al.	.....	D19/6
8,393,098 B2 *	3/2013	Roth et al.	.....	40/124.03

\* cited by examiner

*Primary Examiner* — Caron D Veynar  
*Assistant Examiner* — Abraham Bahta  
(74) *Attorney, Agent, or Firm* — Christine A. Flanagan

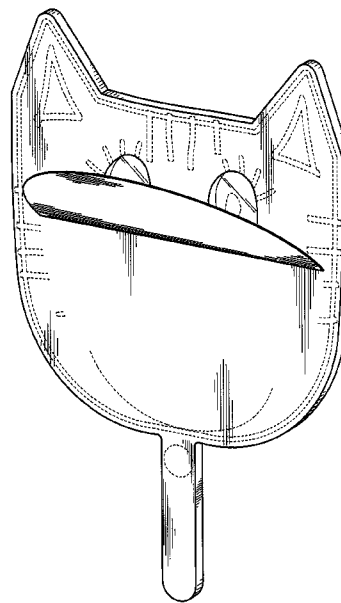
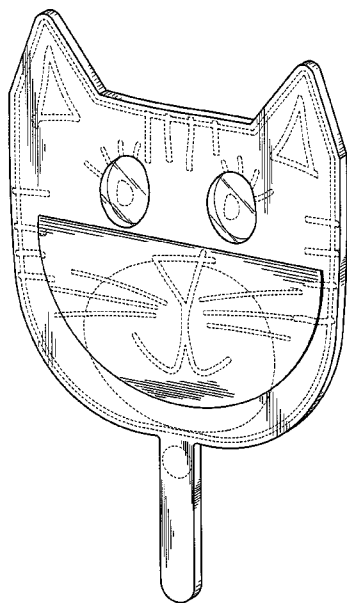
(57) **CLAIM**  
The ornamental design for a greeting card mask—cat, as shown and describe.

**DESCRIPTION**

FIG. 1 is a perspective view of the greeting card mask—cat of the present invention, in a closed position.  
FIG. 2 is a perspective view of the greeting card mask—cat of FIG. 1, in an open position.  
FIG. 3 is a front view of the greeting card mask—cat of FIG. 1.  
FIG. 4 is a rear view of the greeting card mask—cat of FIG. 1.  
FIG. 5 is a right side view of the greeting card mask—cat of FIG. 1, the left side view being a mirror image thereof.  
FIG. 6 is a bottom view of the greeting card mask—cat of FIG. 1; and,  
FIG. 7 is a top view of the greeting card mask—cat of FIG. 1.  
The broken line showing of portions of the greeting card mask—cat is included for the purpose of illustrating environmental structure and forms no part of the claimed design.

**1 Claim, 3 Drawing Sheets**

- (56) **References Cited**  
U.S. PATENT DOCUMENTS  
D245,545 S \* 8/1977 Chou ..... D29/108  
D317,623 S \* 6/1991 Piechocki ..... D19/1  
D387,381 S \* 12/1997 Littmann ..... D19/8  
D403,354 S \* 12/1998 Francis ..... D19/7  
D443,297 S \* 6/2001 Lester et al. .... D19/7



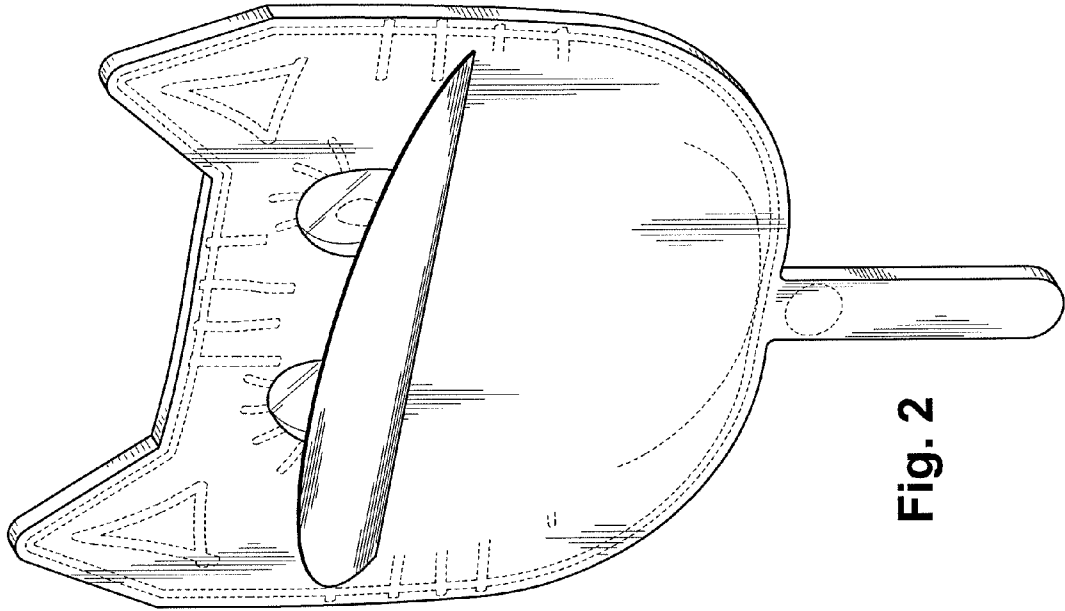


Fig. 2

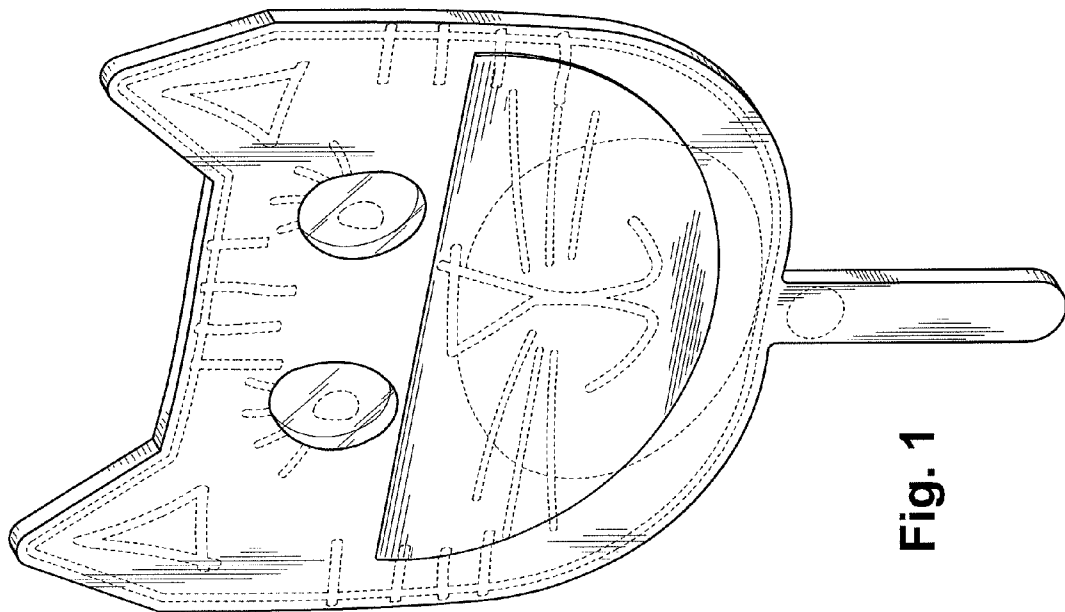


Fig. 1

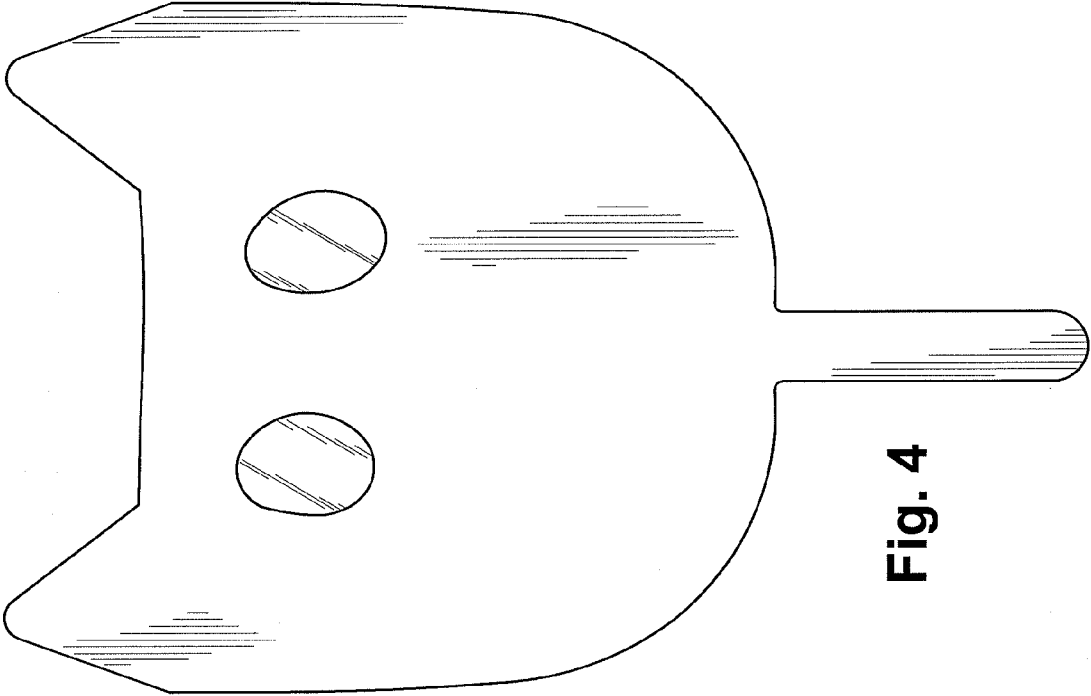


Fig. 4

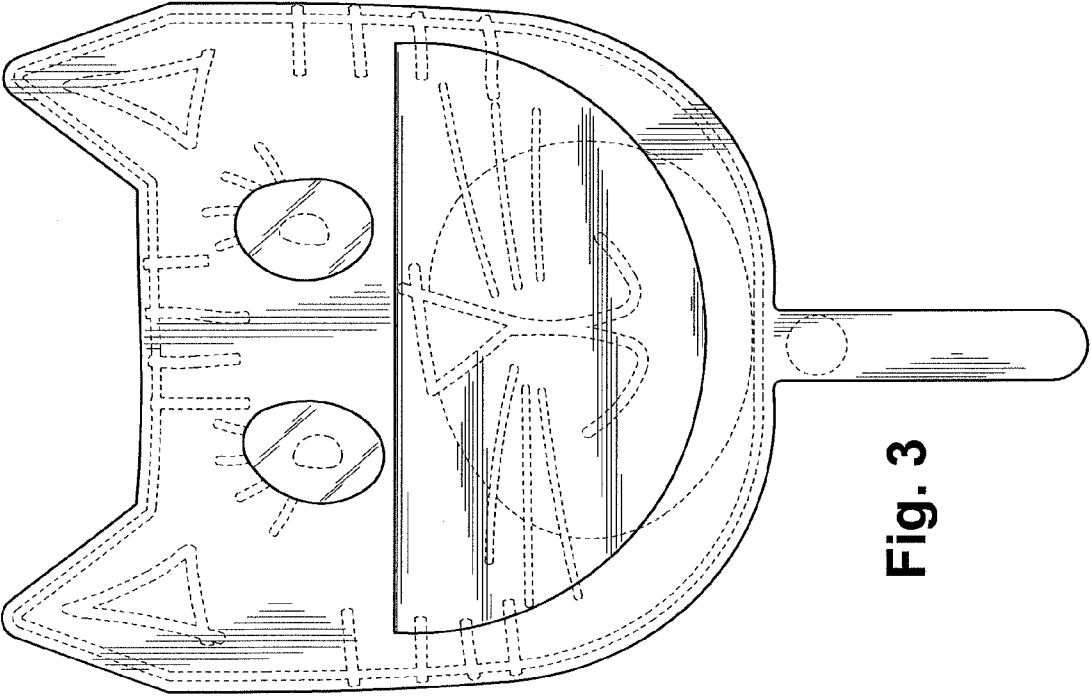


Fig. 3



Fig. 5



Fig. 6



Fig. 7