

(19) World Intellectual Property Organization
International Bureau



(43) International Publication Date
19 June 2003 (19.06.2003)

PCT

(10) International Publication Number
WO 03/051086 A3

(51) International Patent Classification⁷: **H04Q 3/00**,
H04M 7/00, H04Q 11/04, H04L 12/64

Woodoak Drive, Richardson, TX 75082 (US). **MATTSON, Hakan**; Brittsommargrand 6, SE-135 61 Tyreso (SE). **THORSEN, Lars**; Mickelsbergsvagen 288, SE-141 71 Huddinge (SE).

(21) International Application Number: PCT/US02/39684

(22) International Filing Date:
11 December 2002 (11.12.2002)

(74) Agents: **HAN, John C.** et al.; Ericsson Inc., 6300 Legacy, MS EVW 2-C-2, Plano, TX 75024 (US).

(25) Filing Language: English

(81) Designated States (*national*): AE, AG, AL, AM, AT, AU, AZ, BA, BB, BG, BR, BY, BZ, CA, CH, CN, CO, CR, CU, CZ, DE, DK, DM, DZ, EC, EE, ES, FI, GB, GD, GE, GH, GM, HR, HU, ID, IL, IN, IS, JP, KE, KG, KP, KR, KZ, LC, LK, LR, LS, LT, LU, LV, MA, MD, MG, MK, MN, MW, MX, MZ, NO, NZ, OM, PH, PL, PT, RO, RU, SC, SD, SE, SG, SK, SL, TJ, TM, TN, TR, TT, TZ, UA, UG, UZ, VC, VN, YU, ZA, ZM, ZW.

(26) Publication Language: English

(30) Priority Data:
10/021,940 12 December 2001 (12.12.2001) US

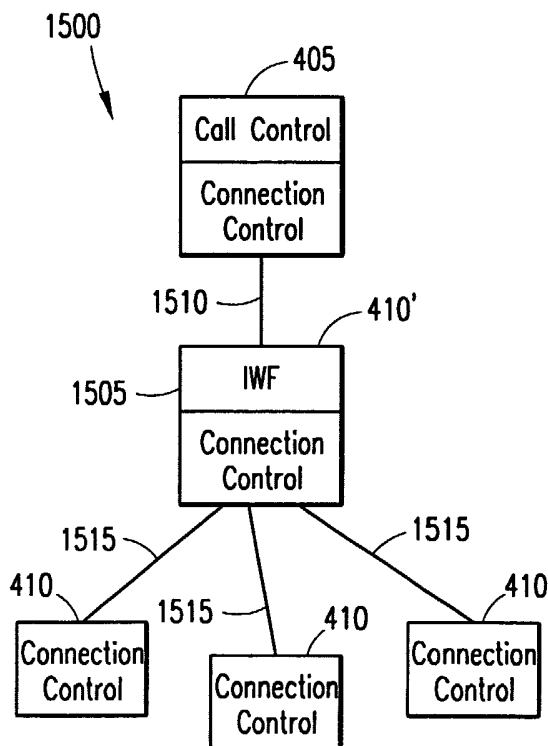
(71) Applicant: **ERICSSON INC.** [US/US]; 6300 Legacy, Plano, TX 75024 (US).

(84) Designated States (*regional*): ARIPO patent (GH, GM, KE, LS, MW, MZ, SD, SL, SZ, TZ, UG, ZM, ZW), Eurasian patent (AM, AZ, BY, KG, KZ, MD, RU, TJ, TM), European patent (AT, BE, BG, CH, CY, CZ, DE, DK, EE,

(72) Inventors: **LINDQUIST, Jan**; 1313 San Mateo Drive, Allen, TX 75013 (US). **GUNDERSEN, Hans**; 1416

[Continued on next page]

(54) Title: COMBINING NARROWBAND APPLICATIONS WITH BROADBAND TRANSPORT



(57) Abstract: The combination of narrowband applications with broadband transport may be enabled with a tri-level nodal communications architecture including a call control node having both switching intelligence and narrowband switching fabric, a plurality of connection control nodes having broadband switching fabric and an intermediate node for interworking between the call control node and the plurality of connection control nodes. The intermediate node includes a database providing an indication of which format(s) of multiple formats a given connection control node uses. When an incoming communication arrives to/from a specific connection control node, the database is consulted to ascertain the corresponding particular format(s) used by that specific connection control node. Accordingly, the incoming communication may be translated responsive to the ascertained particular format(s).

WO 03/051086 A3



ES, FI, FR, GB, GR, IE, IT, LU, MC, NL, PT, SE, SI, SK,
TR), OAPI patent (BF, BJ, CF, CG, CI, CM, GA, GN, GQ,
GW, ML, MR, NE, SN, TD, TG).

Published:

— *with international search report*

Declarations under Rule 4.17:

- *as to applicant's entitlement to apply for and be granted a patent (Rule 4.17(ii)) for all designations*
- *as to the applicant's entitlement to claim the priority of the earlier application (Rule 4.17(iii)) for all designations*

(88) Date of publication of the international search report:

9 October 2003

For two-letter codes and other abbreviations, refer to the "Guidance Notes on Codes and Abbreviations" appearing at the beginning of each regular issue of the PCT Gazette.

INTERNATIONAL SEARCH REPORT

International Application No
PCT/US 02/39684

A. CLASSIFICATION OF SUBJECT MATTER
IPC 7 H04Q3/00 H04M7/00 H04Q11/04 H04L12/64

According to International Patent Classification (IPC) or to both national classification and IPC

B. FIELDS SEARCHED

Minimum documentation searched (classification system followed by classification symbols)
IPC 7 H04Q H04M H04L

Documentation searched other than minimum documentation to the extent that such documents are included in the fields searched

Electronic data base consulted during the international search (name of data base and, where practical, search terms used)

EPO-Internal, WPI Data, PAJ, IBM-TDB, INSPEC

C. DOCUMENTS CONSIDERED TO BE RELEVANT

Category °	Citation of document, with indication, where appropriate, of the relevant passages	Relevant to claim No.
Y	US 2001/030968 A1 (HALLENSTAL M ET AL) 18 October 2001 (2001-10-18) the whole document ---	1-24
Y	"MEGACO IP PHONE MEDIA GATEWAY APPLICATION PROFILE" IETF INTERNET DRAFT DRAFT-IETF-MEGACO-IPPHONE-03.TXT, 25 August 2000 (2000-08-25), XP002241558 section 6 ---	1-24
A	HALLENSTAAL M ET AL: "ENGINE SERVER NETWORK" ERICSSON REVIEW, no. 3, 2000, pages 126-135, XP000966158 ISSN: 0014-0171 page 128, middle column, line 15 -page 133, middle column, line 18 --- -/--	1-24

Further documents are listed in the continuation of box C.

Patent family members are listed in annex.

° Special categories of cited documents:

- *A* document defining the general state of the art which is not considered to be of particular relevance
- *E* earlier document but published on or after the international filing date
- *L* document which may throw doubts on priority claim(s) or which is cited to establish the publication date of another citation or other special reason (as specified)
- *O* document referring to an oral disclosure, use, exhibition or other means
- *P* document published prior to the international filing date but later than the priority date claimed

- *T* later document published after the international filing date or priority date and not in conflict with the application but cited to understand the principle or theory underlying the invention
- *X* document of particular relevance; the claimed invention cannot be considered novel or cannot be considered to involve an inventive step when the document is taken alone
- *Y* document of particular relevance; the claimed invention cannot be considered to involve an inventive step when the document is combined with one or more other such documents, such combination being obvious to a person skilled in the art.
- *Z* document member of the same patent family

Date of the actual completion of the international search

19 May 2003

Date of mailing of the international search report

04/06/2003

Name and mailing address of the ISA

European Patent Office, P.B. 5818 Patentlaan 2
NL - 2280 HV Rijswijk
Tel. (+31-70) 340-2040, Tx. 31 651 epo nl,
Fax: (+31-70) 340-3016

Authorized officer

Vercauteren, S

INTERNATIONAL SEARCH REPORT

International Application No

PCT/US 02/39684

C.(Continuation) DOCUMENTS CONSIDERED TO BE RELEVANT		
Category *	Citation of document, with indication, where appropriate, of the relevant passages	Relevant to claim No.
A	WO 01 97481 A (NOKIA CORP) 20 December 2001 (2001-12-20) page 5, line 5 -page 6, line 4 page 20, line 6 -page 22, line 6 -----	1-24
A	FRANZ R: "OPTIMAL MIGRATION TOWARDS VOICE/DATA CONVERGENCE" PROCEEDINGS OF 16TH INTERNATIONAL CONFERENCE ON COMMUNICATION TECHNOLOGY (ICCT'00), BEIJING, CHINA, vol. 2, 21 - 25 August 2000, pages 1740-1747, XP010526698 figure 2 -----	1-24
A	SUPPAN F ET AL: "REFLECTIONS ON MIGRATION SCENARIOS OF VOICE NETWORKS TOWARDS NEXT-GENERATION NETWORKS FOR INCUMBENT OPERATORS" JOURNAL OF THE INSTITUTION OF BRITISH TELECOMMUNICATIONS ENGINEERS, vol. 2, no. 3, July 2001 (2001-07) - September 2001 (2001-09), pages 26-31, XP001107574 ISSN: 1470-5826 figure 1 -----	1-24

INTERNATIONAL SEARCH REPORT

Information on patent family members

International Application No

PCT/US 02/39684

Patent document cited in search report	Publication date	Patent family member(s)	Publication date	
US 2001030968	A1	18-10-2001	WO 02058348 A2	25-07-2002
			US 2002131429 A1	19-09-2002
			US 2002122426 A1	05-09-2002
			US 2002122414 A1	05-09-2002
			US 2002131430 A1	19-09-2002
			US 2002126676 A1	12-09-2002
			AU 6195000 A	30-01-2001
			BR 0012409 A	12-03-2002
			CN 1379941 T	13-11-2002
			EP 1201063 A1	02-05-2002
			WO 0105108 A1	18-01-2001
			US 2003053463 A1	20-03-2003
			US 2001036158 A1	01-11-2001
			US 2001036177 A1	01-11-2001
			US 2002003794 A1	10-01-2002
			US 2002051443 A1	02-05-2002
WO 0197481	A	20-12-2001	WO 0197481 A1	20-12-2001
			AU 5681300 A	24-12-2001
			EP 1302046 A1	16-04-2003