

(19) World Intellectual Property Organization
International Bureau



(43) International Publication Date
5 July 2007 (05.07.2007)

PCT

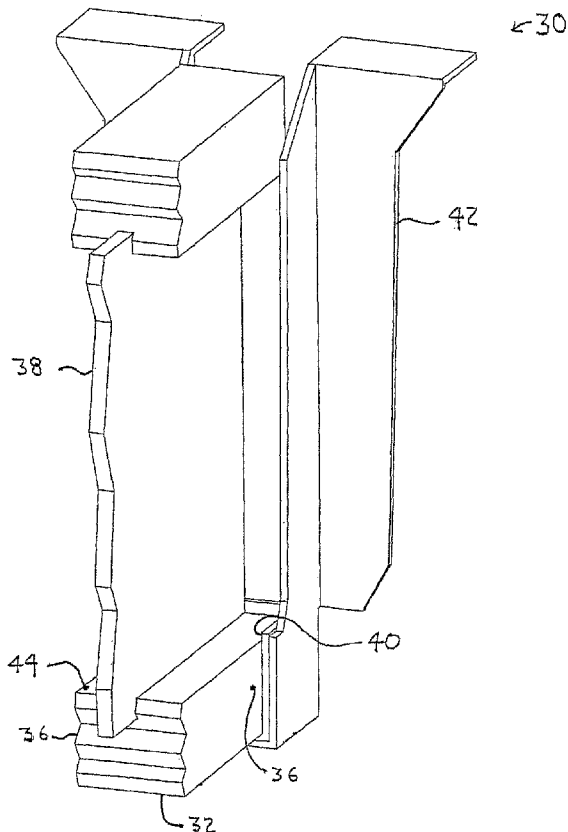
(10) International Publication Number
WO 2007/076283 A3

- (51) International Patent Classification:
E04B 1/38 (2006.01)
- (21) International Application Number:
PCT/US2006/062048
- (22) International Filing Date:
13 December 2006 (13.12.2006)
- (25) Filing Language: English
- (26) Publication Language: English
- (30) Priority Data:
11/305,534 16 December 2005 (16.12.2005) US
- (71) Applicant (for all designated States except US):
RONDA ENTERPRISES, LLC [US/US]; 205 NE
Ford Street, McMinnville, OR 97128 (US).
- (72) Inventor; and
- (75) Inventor/Applicant (for US only): **KARLEN, David,
Paul** [US/US]; 1014 Rummel Street, McMinnville, OR
97128 (US).

- (74) Agents: **SCHAFFER, Scott A.** et al.; Marger Johnson &
McCullom, P.C., 210 SW Morrison Street, Suite 400, Port-
land, OR 97204 (US).
- (81) Designated States (unless otherwise indicated, for every
kind of national protection available): AE, AG, AL, AM,
AT, AU, AZ, BA, BB, BG, BR, BW, BY, BZ, CA, CH, CN,
CO, CR, CU, CZ, DE, DK, DM, DZ, EC, EE, EG, ES, FI,
GB, GD, GE, GH, GM, GT, HN, HR, HU, ID, IL, IN, IS,
JP, KE, KG, KM, KN, KP, KR, KZ, LA, LC, LK, LR, LS,
LT, LU, LV, LY, MA, MD, MG, MK, MN, MW, MX, MY,
MZ, NA, NG, NI, NO, NZ, OM, PG, PH, PL, PT, RO, RS,
RU, SC, SD, SE, SG, SK, SL, SM, SV, SY, TJ, TM, TN,
TR, TT, TZ, UA, UG, US, UZ, VC, VN, ZA, ZM, ZW.
- (84) Designated States (unless otherwise indicated, for every
kind of regional protection available): ARIPO (BW, GH,
GM, KE, LS, MW, MZ, NA, SD, SL, SZ, TZ, UG, ZM,
ZW), Eurasian (AM, AZ, BY, KG, KZ, MD, RU, TJ, TM),
European (AT, BE, BG, CH, CY, CZ, DE, DK, EE, ES, FI,
FR, GB, GR, HU, IE, IS, IT, LT, LU, LV, MC, NL, PL, PT,
RO, SE, SI, SK, TR), OAPI (BF, BJ, CF, CG, CI, CM, GA,
GN, GQ, GW, ML, MR, NE, SN, TD, TG).

[Continued on next page]

(54) Title: JOIST NOISE REDUCTION SYSTEM AND METHOD OF INSTALLATION



(57) Abstract: A noise reducing joist system includes a joist hanger, a joist and a sheath surrounding a bottom portion, a lower end portion and lower end side portions of the joist, the sheath and joist inserted into the joist hanger. The joist and sheath are inserted into the joist hanger. The sheath interfaces with the joist hanger rather than the joist thereby reducing noise that may be created by a sliding that might occur between the joist end and the joist hanger.

WO 2007/076283 A3



Published:

- *with international search report*
- *before the expiration of the time limit for amending the claims and to be republished in the event of receipt of amendments*

(88) Date of publication of the international search report:
2 October 2008

INTERNATIONAL SEARCH REPORT

International application No.
PCT/US06/62048

A. CLASSIFICATION OF SUBJECT MATTER
 IPC: **E04B 1/38(2006.01)**

 USPC: **52/702**
 According to International Patent Classification (IPC) or to both national classification and IPC

B. FIELDS SEARCHED
 Minimum documentation searched (classification system followed by classification symbols)
 U.S. : 52/702

Documentation searched other than minimum documentation to the extent that such documents are included in the fields searched

Electronic data base consulted during the international search (name of data base and, where practicable, search terms used)

C. DOCUMENTS CONSIDERED TO BE RELEVANT


Category *	Citation of document, with indication, where appropriate, of the relevant passages	Relevant to claim No.
Y	US 2003/0009980 A1 (SHAHNAZARIAN) 16 January 2003 (16.01.2003), entire document	1-16
Y	US 3,892,902 (ILUKOWICZ) 01 July 1975 (01.07.1975), col. 5, lines 57-61 and Fig. 7	1-16
Y	US 2002/0139621 A1 (WATABWE et al.) 03 October 2002 (03.10.2002), paragraph no. [0012]	4 and 12
Y	ADMITTED PRIOR ART as disclosed in Prior Art Fig. 1 and at page 1, lines 11-19 of the description of this international application	5-9 and 13-16
T	US 2007/0119108 A1 (DOWNARD) 31 May 2007 (31.05.2007), entire document	1-16

Further documents are listed in the continuation of Box C. See patent family annex.

* Special categories of cited documents:	
"A" document defining the general state of the art which is not considered to be of particular relevance	"T" later document published after the international filing date or priority date and not in conflict with the application but cited to understand the principle or theory underlying the invention
"E" earlier application or patent published on or after the international filing date	"X" document of particular relevance; the claimed invention cannot be considered novel or cannot be considered to involve an inventive step when the document is taken alone
"L" document which may throw doubts on priority claim(s) or which is cited to establish the publication date of another citation or other special reason (as specified)	"Y" document of particular relevance; the claimed invention cannot be considered to involve an inventive step when the document is combined with one or more other such documents, such combination being obvious to a person skilled in the art
"O" document referring to an oral disclosure, use, exhibition or other means	"&" document member of the same patent family
"P" document published prior to the international filing date but later than the priority date claimed	

Date of the actual completion of the international search: 15 May 2008 (15.05.2008)
 Date of mailing of the international search report: 07 AUG 2008

Name and mailing address of the ISA/US:
 Mail Stop PCT, Attn: ISA/US
 Commissioner for Patents
 P.O. Box 1450
 Alexandria, Virginia 22313-1450
 Facsimile No. (571) 273-3201

Authorized officer:
 Richard E. Chilcot 
 Telephone No. (571)-272-5250