

19



LE GOUVERNEMENT
DU GRAND-DUCHÉ DE LUXEMBOURG
Ministère de l'Économie

11

N° de publication :

93437

12

BREVET D'INVENTION**B1**

21

N° de dépôt: 93437

51

Int. Cl.:
A61H 35/00

22

Date de dépôt: 27/12/2016

30

Priorité:

72

Inventeur(s):
LIN Guihua – NANAN, QUANZHOU CITY, FUJIAN
PROVINCE (Chine)

43

Date de mise à disposition du public:

74

Mandataire(s):
ZHAOFFICE SPRL – 5030 GEMBLOUX (Belgique)

47

Date de délivrance: 31/05/2017

73

Titulaire(s):
NAN'AN DATAI BATHROOMS CO., LTD. – NANAN,
QUANZHOU CITY, FUJIAN PROVINCE (Chine)

54

HUMAN BODY BATHING DEVICE.

57

ABSTRACT: The present invention discloses a human body bathing skin-protection caring device, which comprises a spray head (16), a pneumatic device (1) and mirror plane assemblies (4), (5), (11), (12), wherein the spray head (16) comprises balls (22), a spray gun (21) and a liquid storage vessel (25) for storing bathing skin-protection caring liquid, and the liquid stored in the liquid storage vessel (25) can reach the balls (22) and the spray gun (21); the pneumatic device (1) is connected with the spray head (16) through air pipes and provides pneumatic power for the spray head (16) to drive the bathing skin-protection caring liquid in the liquid storage vessel (25) to move and spray out of the spray head (16); and the mirror plane assemblies (4), (5), (11), (12) at least comprise two mirror planes (5), (11), and an inclined angle of at least one mirror plane (5) can be adjusted. According to the human body bathing skin-protection caring device provided by the present invention, the spray head (16) is formed by a combination of the balls (22) and the spray gun (21), thereby achieving the smearing of the liquid; and a visual effect can be achieved by utilizing reflection of the two mirror planes arranged in front and back. Fig. 1

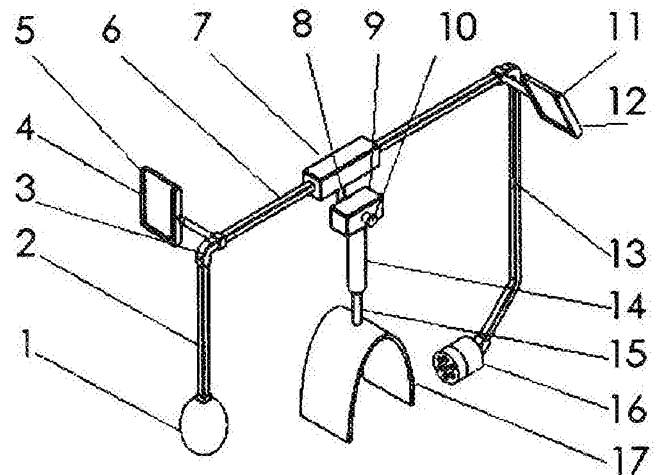


FIG. 1

HUMAN BODY BATHING DEVICE

BACKGROUND

5

Technical Field

The present invention relates to a bathing skin-protection caring product, and in particular to a human body bathing skin-protection caring device.

10

Related Art

Bathing tools usually comprise loofahs and body sponges with handles in the prior art. The loofahs can remove dirt on the human body, and the body sponges are used for applying bath foam or soap liquid to the human body. Due to limitation of the structure of the human body, people are hard to rub the back by self, so, when they have a bath, it is particularly important that the people can smear the bath foam on the back rather than other touchable parts of the body.

The body sponges with the handles can help people to smear the bath foam or the soap liquid on the back during bathing. However, there still are some problems, for example, a handle of a bath sponge with the handle is such enough long that the bath sponge with the handle can touch the back, but its position precision is not enough, and the bath sponge with the handle cannot be used in limited parts; during bathing, color-printed tattoos can be solved by the bath foam and then are washed off, so some tattoo amateurs who have the color-printed tattoos at a certain part of the back hope that the bath foam does not come into contact with such part, in this case, the bath sponge with the handle cannot be used, and for persons having wounds on the back, this situation also occurs; and additionally, if people hope to smear more or less bath foam on different parts of the back, this demand also cannot be met by using the body sponge with the handle.

30

Summary

With an objective of solving a problem that a person relatively hardly and precisely smears bathing liquid on the back during bathing in the prior art, the present invention provides a human body bathing skin-protection caring device.

In order to achieve the objective described above, the human body bathing skin-protection caring device provided by the present invention comprises a spray head, a pneumatic device and mirror plane assemblies, the spray head comprises balls, a spray gun and a liquid storage vessel for storing bathing skin-protection caring liquid, and the liquid stored in the liquid storage vessel can reach the balls and the spray gun; the pneumatic device is connected with the spray head through air pipes and provides pneumatic power for the spray head to drive the bathing skin-protection caring liquid in the liquid storage vessel to move; and the mirror plane assemblies at least comprise two mirror planes, and an inclined angle of at least one mirror plane can be adjusted.

Optionally, the spray head further comprises a spray head inner fastener and a spray head outer fastener, and the spray head inner fastener is connected with the liquid storage vessel through a thread.

Optionally, the pneumatic device is a hand-operated air bag.

Optionally, the mirror plane assemblies comprise a first mirror plane and a second mirror plane, the first mirror plane is arranged above the spray head, and an inclined angle of the second mirror plane can be adjusted randomly.

Optionally, an included angle between the first mirror plane and the horizontal direction is 65 degrees, so that a user can see the whole back through the first mirror plane.

Optionally, the spray head, the pneumatic device and the mirror plane assemblies are arranged on a support bar, the support bar comprises a first part, a second part and a third part, the first part and the second part are mutually parallel, and the third part are connected with the vertical to the two parallel parts.

Optionally, the human body bathing skin-protection caring device further comprises a supporting device, and the supporting device is arranged on the third part of the support bar in a sliding manner.

Optionally, the supporting device comprises a sleeve, a rotating bar, a supporting connecting rod, a second support bar and a locating frame, which are sequentially connected; and the sleeve sleeves the third part of the support bar.

5 Optionally, the locating frame has a semi-arc-shaped structure, and the materials of the locating frame comprise memory steel for manufacturing the main body structure, and sponge and leather which cover the exterior of the memory steel.

The human body bathing skin-protection caring device provided by the present invention has the beneficial effects: the spray head is combined by the balls and the spray gun, thereby achieving the smearing of the liquid; a visual effect is achieved by utilizing reflection of the two mirror planes arranged in front and back; by utilizing the memory steel, the whole device is fixed on the shoulder more comfortably and stably; and due to multi-variant movement, the spray head can smear the liquid on any parts of the back and precisely move to parts to be smeared visually.

15

Brief Description of Drawings

FIG. 1 is a structural schematic diagram of a human body bathing skin-protection caring device according to the present invention; and

FIG. 2 is a structural schematic diagram of a spray head of a human body bathing skin-protection caring device according to the present invention.

20

Description of Embodiments

The present invention is further described below in detail in conjunction with accompanying drawings. On the premise of the technical scheme provided by the present invention, embodiments are implemented, and detailed implementation manners and the concrete operation process are given out, but the protection scope of the present invention is not limited to the following embodiments.

25

FIG. 1 is a structural schematic diagram of a human body bathing skin-protection caring device according to the present invention; and FIG. 2 is a

structural schematic diagram of a spray head of a human body bathing skin-protection caring device according to the present invention.

As shown in FIG. 1, the human body bathing skin-protection caring device comprises a spray head 16, a pneumatic device 1 and mirror plane assemblies 4, 5, 11, 12. As shown in FIG. 2, the spray head 16 comprises balls 22, a spray gun 21 and a liquid storage vessel 25 for storing bathing skin-protection caring liquid, and the liquid stored in the liquid storage vessel 25 can reach the balls 22 and the spray gun 21; the pneumatic device 1 is connected with the spray head 16 through air pipes and provides pneumatic power for the spray head 16 to drive the liquid in the liquid storage vessel 25 to move, and the pneumatic device 1 is a hand-operated air bag 1; and the mirror plane assemblies 4, 5, 11, 12 at least comprise two mirror planes 5, 11, wherein an inclined angle of at least one mirror plane 5 can be adjusted.

The spray head 16 further comprises a spray head inner fastener 24 and a spray head outer fastener 23, and the spray head inner fastener 24 is connected with the liquid storage vessel 25 through a thread. The mirror plane assemblies comprise a prepositive first mirror plane 5 and a postpositive second mirror plane 11, the first mirror plane 5 is arranged above the spray head 16, an inclined angle of the second mirror plane 11 can be adjusted randomly, and the first mirror plane 5 and the second mirror plane 11 are supported by self corresponding mirror holders 4, 12. An included angle between the first mirror plane 5 and the horizontal direction is 65 degrees. The spray head 16, the pneumatic device 1 and the mirror plane assemblies 4, 5, 11, 12 are arranged on a support bar 2, 6, 13, the support bar comprises a first part 2, a second part 13 and a third part 6, the first part 2 and the second part 13 are mutually parallel, and the third part 6 are connected with the vertical to the two parallel parts. The human body bathing skin-protection caring device further comprises a supporting device. The supporting device is arranged on the third part 6 of the support bar in a sliding manner. The supporting device comprises a sleeve 7, a rotating bar 8, a supporting connecting rod 14, a second support bar 15 and a locating frame 17, which are sequentially connected; and a

supporting block 9 is arranged between the rotating bar 8 and the supporting connecting rod 14, a screw 10 is arranged on the supporting block 9, and the sleeve 7 sleeves the third part 6 of the support bar. The locating frame 17 has a semi-arc-shaped structure, and the materials of the locating frame 17 comprise memory steel for manufacturing the main body structure, and sponge and leather which cover the exterior of the memory steel.

Bearing connection is arranged between the second support bar 15 and the supporting connecting rod 14, thereby enabling the whole device to rotate around the second support bar by 360 degrees.

The sleeve 7 and the supporting block 9 are connected through the rotating bar 8, so that the sleeve 7 can swing around the rotating bar. The sleeve 7 and the second part 13 of the support bar utilize clearance fit, so that the whole support bar slide under the limitation of the sleeve 7.

The spray head inner fastener 24 and the liquid storage vessel 25 are connected through a thread, and the liquid storage vessel 25 is used for containing the liquid. The liquid is smeared on the back along with the rolling of the balls 22.

A center square storage vessel of the liquid storage vessel 25 is used for storing the liquid, and the liquid is pressed out through the spray gun 21 under the pressure of the right part and then is smeared on the back.

Improvements of the spray head expand the selection range of skin-protection liquid. Due to the visual effect of the mirror plane assemblies, the precision of a position to be smeared is improved; and some parts having acnes, which should not be smeared with the liquid, avoid to the liquid or are smeared with demanded medicine liquid.

Although the foregoing exemplary embodiments have disclosed the present invention, they are not intent to limit the present invention. A person of ordinary skill in the art can make various changes and modifications without departing from the spirit and scope of the present invention. Therefore, the protection scope of the present invention should be defined by the appended claims.

CLAIMS

1. A human body bathing skin-protection caring device, comprising a spray head (16), a pneumatic device (1) and mirror plane assemblies (4), (5), (11), (12),
5 wherein the spray head (16) comprises balls (22), a spray gun (21) and a liquid storage vessel (25) for storing bathing skin-protection caring liquid, and the liquid stored in the liquid storage vessel (25) can reach the balls (22) and the spray gun (21);

the spray head (16) further comprises a spray head inner fastener (24) and a
10 spray head outer fastener (23), and the spray head inner fastener (24) is connected with the liquid storage vessel (25) through a thread; the pneumatic device (1) is connected with the spray head (16) through air pipes and provides pneumatic power for the spray head (16) to drive the bathing skin-protection caring liquid in the liquid storage vessel (25) to move; and

15 the mirror plane assemblies (4), (5), (11), (12) at least comprise two mirror planes (5), (11), and an inclined angle of at least one mirror plane (5) can be adjusted.

2. The human body bathing skin-protection caring device according to claim 1, wherein the pneumatic device (1) is a hand-operated air bag.

20 3. The human body bathing skin-protection caring device according to claim 1, wherein the mirror plane assemblies comprise a first mirror plane (5) and a second mirror plane (11), the first mirror plane (5) is arranged above the spray head (16), and an inclined angle of the second mirror plane (11) can be adjusted randomly.

4. The human body bathing skin-protection caring device according to claim 3,
25 wherein an included angle between the first mirror plane (5) and the horizontal direction is 65 degrees.

5. The human body bathing skin-protection caring device according to claim 1, wherein the spray head (16), the pneumatic device (1) and the mirror plane assemblies (4), (5), (11), (12) are arranged on a support bar (2), (6), (13), the
30 support bar comprises a first part (2), a second part (13) and a third part (6), the first

part (2) and the second part (13) are mutually parallel, and the third part (6) are connected with the vertical to the two parallel parts.

5 6. The human body bathing skin-protection caring device according to claim 5, wherein the human body bathing skin-protection caring device further comprises a supporting device, and the supporting device is arranged on the third part (6) of the support bar in a sliding manner.

10 7. The human body bathing skin-protection caring device according to claim 6, wherein the supporting device comprises a sleeve (7), a rotating bar (8), a supporting connecting rod (14), a second support bar (15) and a locating frame (17), which are sequentially connected; and the sleeve (7) sleeves the third part (6) of the support bar.

15 8. The human body bathing skin-protection caring device according to claim 7, wherein the locating frame (17) has a semi-arc-shaped structure, and the materials of the locating frame (17) comprise memory steel for manufacturing the main body structure, and sponge and leather which cover the exterior of the memory steel.

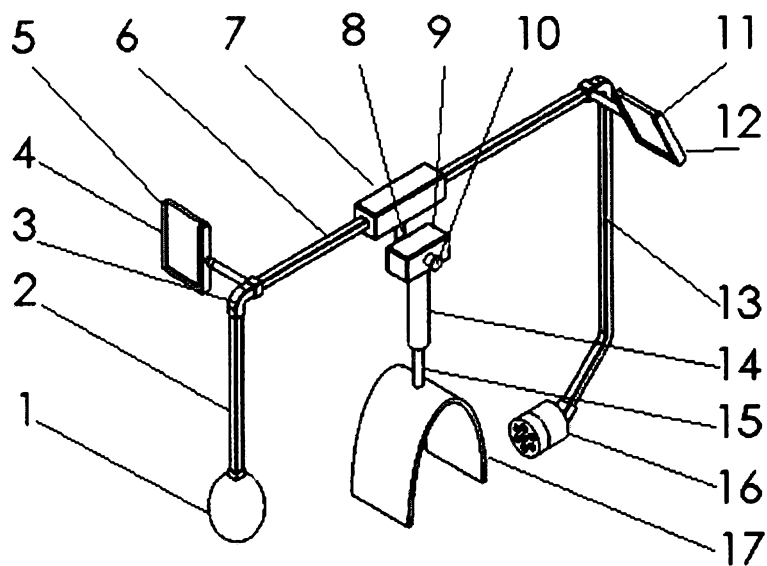


FIG. 1

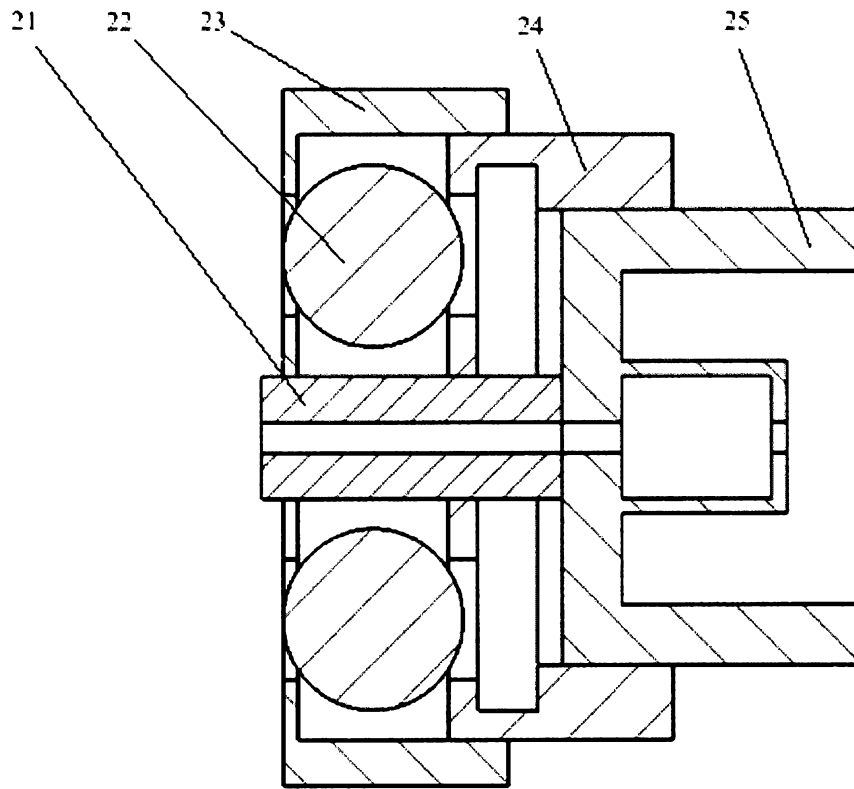


FIG. 2

ABSTRACT**HUMAN BODY BATHING DEVICE**

5 The present invention discloses a human body bathing skin-protection caring device, which comprises a spray head (16), a pneumatic device (1) and mirror plane assemblies (4), (5), (11), (12), wherein the spray head (16) comprises balls (22), a spray gun (21) and a liquid storage vessel (25) for storing bathing skin-protection caring liquid, and the liquid stored in the liquid storage vessel (25)
10 can reach the balls (22) and the spray gun (21); the pneumatic device (1) is connected with the spray head (16) through air pipes and provides pneumatic power for the spray head (16) to drive the bathing skin-protection caring liquid in the liquid storage vessel (25) to move and spray out of the spray head (16); and the mirror plane assemblies (4), (5), (11), (12) at least comprise two mirror planes (5),
15 (11), and an inclined angle of at least one mirror plane (5) can be adjusted. According to the human body bathing skin-protection caring device provided by the present invention, the spray head (16) is formed by a combination of the balls (22) and the spray gun (21), thereby achieving the smearing of the liquid; and a visual effect can be achieved by utilizing reflection of the two mirror planes arranged in
20 front and back.

Fig. 1