

(19) World Intellectual Property Organization  
International Bureau



(43) International Publication Date  
13 October 2011 (13.10.2011)

(10) International Publication Number  
**WO 2011/123909 A1**

- (51) **International Patent Classification:**  
A47G 21/00 (2006.01) A47G 23/00 (2006.01)
- (21) **International Application Number:**  
PCT/BR2010/000299
- (22) **International Filing Date:**  
9 September 2010 (09.09.2010)
- (25) **Filing Language:** English
- (26) **Publication Language:** English
- (30) **Priority Data:**  
018100012394 9 April 2010 (09.04.2010) BR
- (72) **Inventor; and**
- (71) **Applicant : COSTA, Elis Regina Rodrigues [BR/BR];**  
Rua Doutor Homem de Melo, 1109, São Paulo - SP, Cep:  
05007-002 (BR).
- (81) **Designated States (unless otherwise indicated, for every kind of national protection available):** AE, AG, AL, AM, AO, AT, AU, AZ, BA, BB, BG, BH, BR, BW, BY, BZ, CA, CH, CL, CN, CO, CR, CU, CZ, DE, DK, DM, DO,

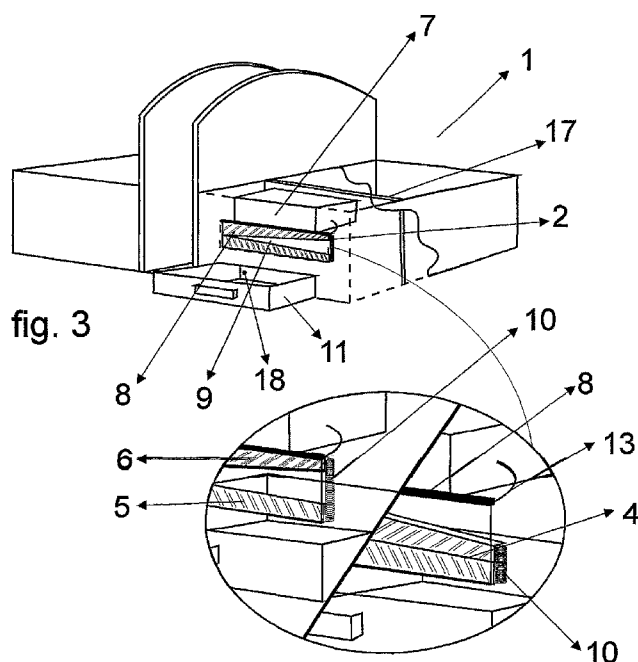
DZ, EC, EE, EG, ES, FI, GB, GD, GE, GH, GM, GT, HN, HR, HU, ID, IL, IN, IS, JP, KE, KG, KM, KN, KP, KR, KZ, LA, LC, LK, LR, LS, LT, LU, LY, MA, MD, ME, MG, MK, MN, MW, MX, MY, MZ, NA, NG, NI, NO, NZ, OM, PE, PG, PH, PL, PT, RO, RS, RU, SC, SD, SE, SG, SK, SL, SM, ST, SV, SY, TH, TJ, TM, TN, TR, TT, TZ, UA, UG, US, UZ, VC, VN, ZA, ZM, ZW.

(84) **Designated States (unless otherwise indicated, for every kind of regional protection available):** ARIPO (BW, GH, GM, KE, LR, LS, MW, MZ, NA, SD, SL, SZ, TZ, UG, ZM, ZW), Eurasian (AM, AZ, BY, KG, KZ, MD, RU, TJ, TM), European (AL, AT, BE, BG, CH, CY, CZ, DE, DK, EE, ES, FI, FR, GB, GR, HR, HU, IE, IS, IT, LT, LU, LV, MC, MK, MT, NL, NO, PL, PT, RO, SE, SI, SK, SM, TR), OAPI (BF, BJ, CF, CG, CI, CM, GA, GN, GQ, GW, ML, MR, NE, SN, TD, TG).

**Published:**

— with international search report (Art. 21(3))

(54) **Title:** AUTOMATIC CUTTER ARRANGEMENT INTRODUCED IN SACHET AND NAPKIN HOLDERS AND THE LIKE



(57) **Abstract:** The present object refers to a dispenser for sachets, napkins and the like, having an automatic cutter for cutting and opening sachets. The sachet cut is made through a guillotine introduced inside the sachet holder that is powered by an engine, which, by receiving the signal, through a sensor, is automatically activated. The sachet holder has a compartment in its bottom, where the discarded pieces of packages are stored to be later removed.

**Title: "AUTOMATIC CUTTER ARRANGEMENT  
INTRODUCED IN SACHET AND NAPKIN HOLDERS AND THE LIKE."**

The present object refers to a dispenser for sachets, napkins and the like, having an automatic cutter for cutting and opening sachets. The sachet cut is made through a guillotine introduced inside the sachet holder that is powered by an engine, which, by receiving the signal, through a sensor, is automatically activated. The sachet holder has a compartment in its bottom, where the discarded pieces of packages are stored to be later removed.

The present object is an improvement introduced in patent application "NAPKIN HOLDER WITH SACHET GUILLOTINE," filed at the Brazilian Trademark Office (*Instituto Nacional the Propriedade Intelectual – INPI*) on October 08, 2004, which received number MU8402465-8, owned by the same inventor of this one.

The present object is intended to facilitate the opening of seasoning sachets, such as ketchup, mustard, mayonnaise and the like, provides more hygiene and less embarrassment to the user, who often finds it very difficult to open these types of sachets and eventually stains his hands and clothes.

Not seldom does a person use both hands, even the teeth, to get the sachet packages open, and we can also notice that the user is hardly satisfied when opening such a package, because sometimes the opening is too small, what turns it difficult to access the dressing, or too large, eventually spilling practically the entire content of the package on the user's plate.

Generally, we observe sachet and napkin holders and the like in restaurants, fast food restaurants, hotels and the like. Therefore, it was intended to add the automatic sachet cutter to facilitate and provide users with more comfort.

Thus, to solve such inconveniences, the object in question was developed, combining facility, practicality, low cost and large industrial feasibility.

For a perfect view and understanding of the "***AUTOMATIC CUTTER ARRANGEMENT INTRODUCED IN SACHET AND NAPKIN HOLDER, AND THE LIKE,***" in question, below are the illustrative drawings, where:

Fig. 1 – Presents a perspective top view of the object in question;

Fig. 2 – Presents a front view of the object in question;

Fig. 3 – Presents a perspective view of the object in question with a close at the automatic cutter mechanism;

Fig. 4 – Presents a transparent perspective view of the object in question;

Fig. 5 – Presents a perspective view of the object in question, with manual activation, in other model of napkin holder, already filed previously.

According to the illustration and in its details, the "***AUTOMATIC CUTTER ARRANGEMENT INTRODUCED IN SACHET AND NAPKIN HOLDER, AND THE LIKE,***" is made of a sachet and napkin holder and the like (1), characterized for having an automatic cutter (2) for cutting sachets and the like (3); having a guillotine (4), which consists of a fixed blade (5) and a movable blade (6), activated by an engine (7) connected to a sensor (8), through wiring (13); upon receiving the signal from the sensor (8) the engine (7) is automatically activated; the two blades (5-6) form a laid down "V" (9), and the movable blade (6), after activated, returns to its original position by action of a spring (10).

The sachet and napkin holder and the like (1) has a drawer-type compartment in its bottom (11) where the discarded package pieces are stored, with a compartment in its rear (14) closed through screws and the

like (18), provided with a compartment where batteries and similar (15) are stored that feed the engine (7), connected through wiring (13A); having further a wall (17) to limit the drawer-type compartment (11).

For the advantages it offers and for possessing truly innovative features, the "***AUTOMATIC CUTTER ARRANGEMENT INTRODUCED IN SACHET AND NAPKIN HOLDER, AND THE LIKE***" gathers all necessary conditions for earning the Utility Model Patent.

## CLAIMS

1) ***“AUTOMATIC CUTTER ARRANGEMENT INTRODUCED IN SACHET AND NAPKIN HOLDER AND THE LIKE,”*** is made of a sachet and napkin holder and the like (1), ***characterized for*** having an automatic cutter (2) for cutting sachets and the like (3); having a guillotine (4) which consists of a fixed blade (5) and a movable blade (6), activated by an engine (7) connected to a sensor (8), through wiring (13); the two blades (5-6) form a laid down “V” (9), the movable blade (6), returns to its original position by action of a spring (10).

2) ***“AUTOMATIC CUTTER ARRANGEMENT INTRODUCED IN SACHET AND NAPKIN HOLDER AND THE LIKE,”*** according to Claim One, ***is characterized for the*** sachet and napkin holder and the like (1) having a drawer-type compartment in its bottom (11) with a compartment in its rear (14) closed through screws and the like (18), provided with a compartment for batteries and the like (15), which feed the engine (7), connected through wiring (13A); having further a limiting wall (17).

3) ***“AUTOMATIC CUTTER ARRANGEMENT INTRODUCED IN SACHET AND NAPKIN HOLDER AND THE LIKE,”*** according to Claim One, ***is characterized for the*** sachet and napkin holder and the like (1) being manually activated (16) through an activation button (12).

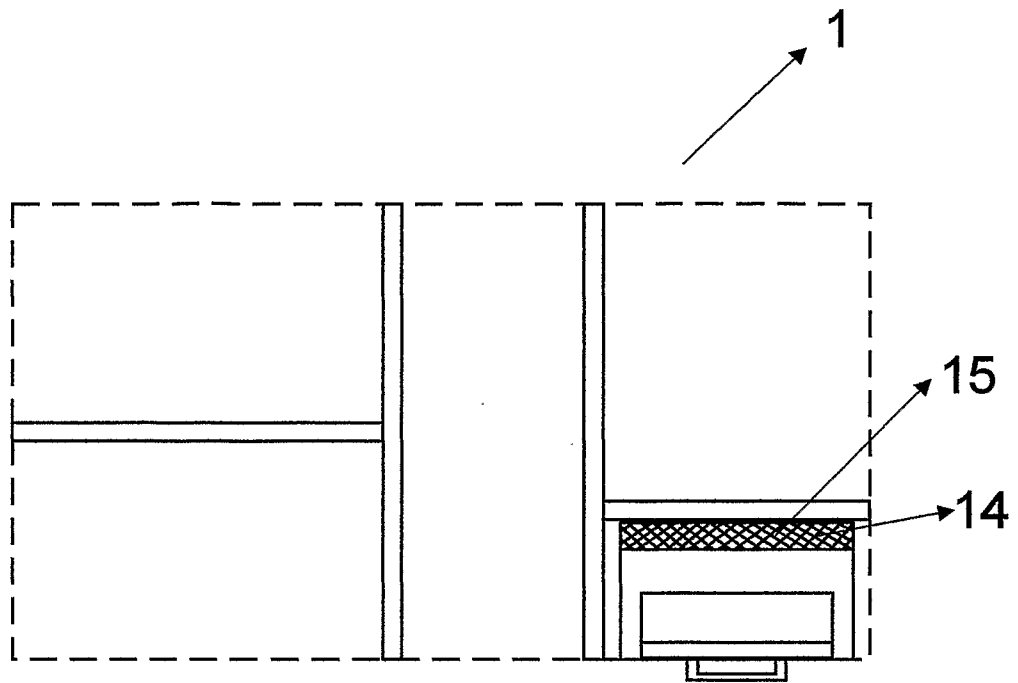


fig. 1

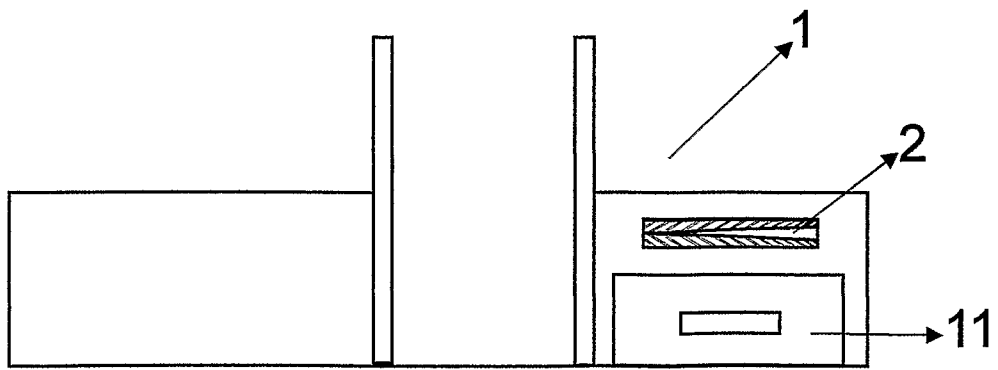
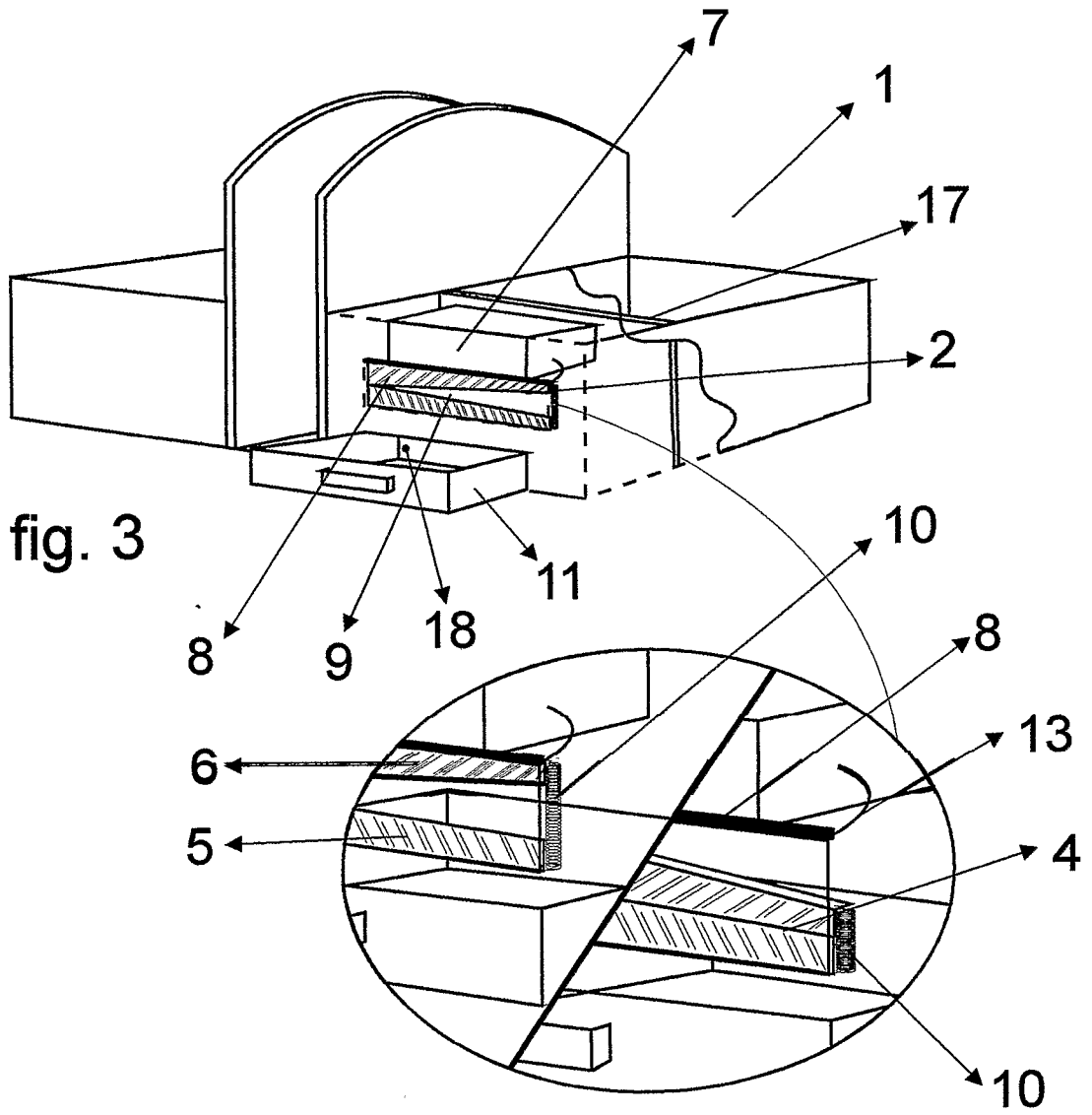


fig. 2



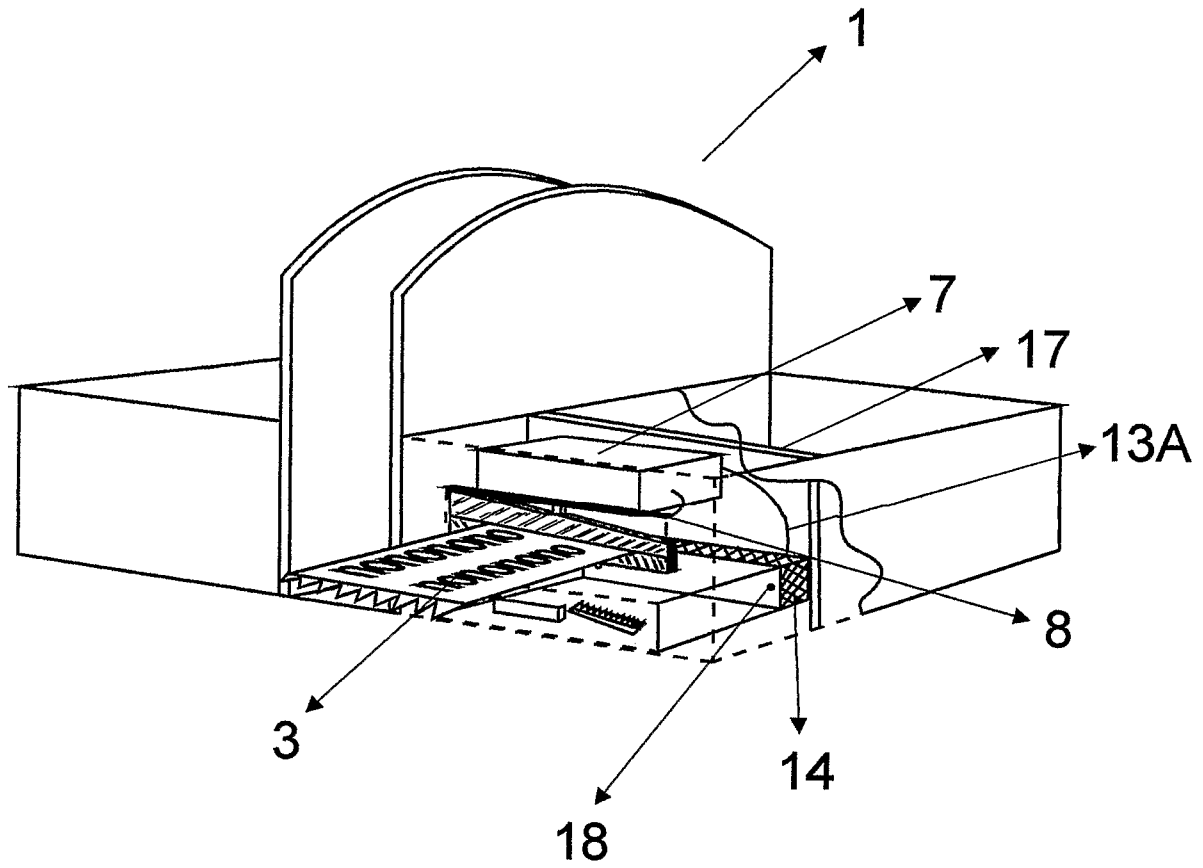


fig. 4



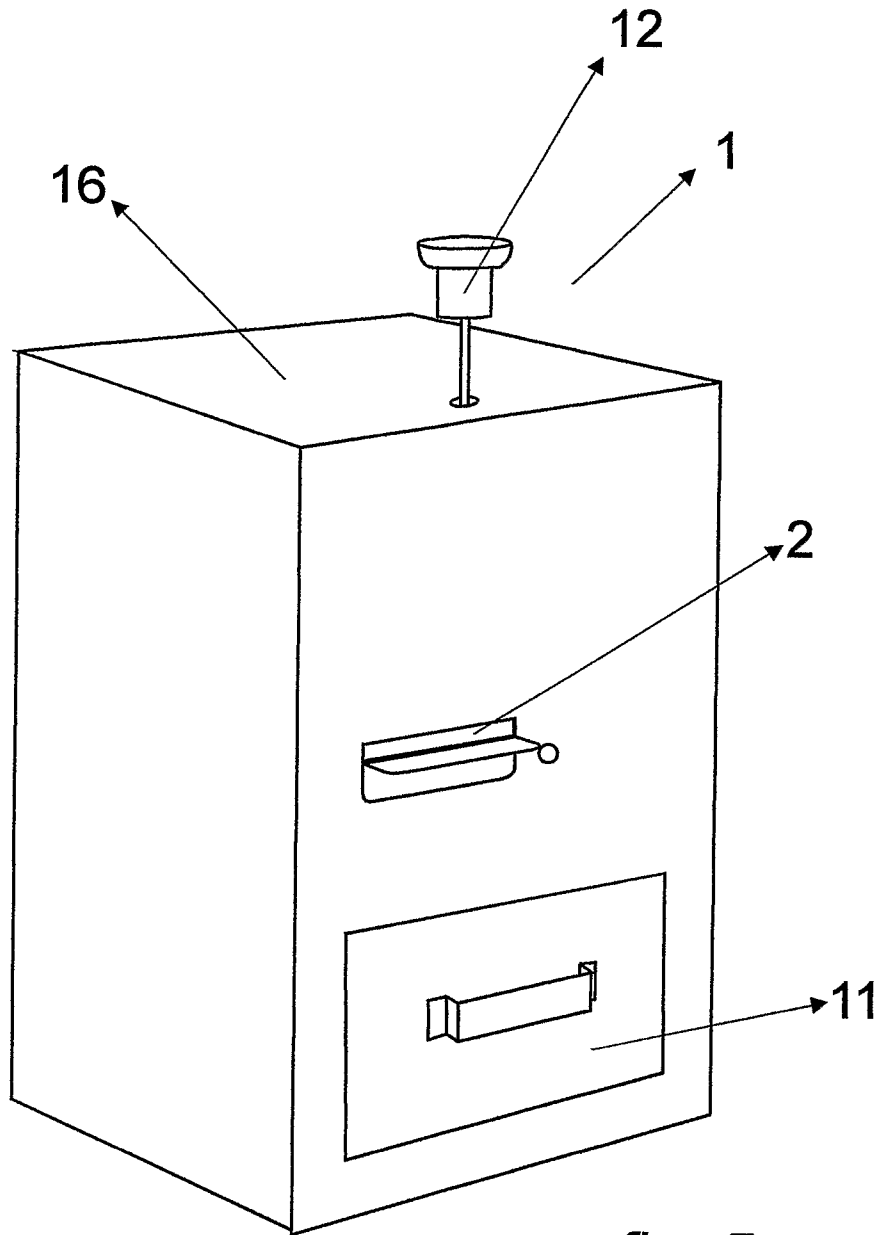


fig. 5

## INTERNATIONAL SEARCH REPORT

International application N°

PCT/BR2010/000299

## A. CLASSIFICATION OF SUBJECT MATTER

IPC (2010.01): A47G 21/00 A47G 23/00

According to International Patent Classification (IPC) or to both national classification and IPC

## B. FIELDS SEARCHED

Minimum documentation searched (classification system followed by classification symbols)

IPC (2010.01): A47G 21/00 A47G 23/00

Documentation searched other than minimum documentation to the extent that such documents are included in the fields searched

Electronic data base consulted during the international search (name of data base and, where practicable, search terms used)

Espacenet, Epodoc, SINPI, Intranet

## C. DOCUMENTS CONSIDERED TO BE RELEVANT

Category*	Citation of document, with indication, where appropriate, of the relevant passages	Relevant to claims N°
A	WO 2008090134 A2 ( ROBINSON DAVID GEORGE [GB]) 31 July 2008 (2008-07-31) The whole document	1-3
Y X	BR 8402465 U (Costa, Sidnei Batista da [BR]; Rodrigues, Elis Regina [BR] ) 16 May 2006 (2006-05-16) The whole document	1-2 3
Y	BR 8501133 U (Rodrigues, Rozana Cardoso [BR]) 30 January 2007 (2007-01-30) The whole document	1-2
Y X	WO 2008116903 A1 (LA ROSA CLAUDIO [IT]) 02 October 2008 (2008-10-02) The whole document	1 2

 Further documents are listed in the continuation of Box C. See patent family annex.

## \* Special categories of cited documents:

"A" document defining state of the art which is not considered to be of particular relevance

"E" earlier application or patent but published on or after the international filing date

"L" document which may throw doubts on priority claim(s) or which is cited to establish the publication date of another citation or other special reason (as specified)

"O" document referring to an oral disclosure, use, exhibition or other means

"P" document published prior to the international filing date but later than the priority claimed

"T" later document published after the international filing date or priority date and not in conflict with the application but cited to understand the principle or theory underlying the invention

"X" document of particular relevance; the claimed invention cannot be considered novel or cannot be considered to involve an inventive step when the document is taken alone

"Y" document of particular relevance; the claimed invention cannot be considered to involve an inventive step when the document is combined with one or more other such documents, such combination being obvious to a person skilled in the art

"&amp;" document member of the same patent family

Date of the actual completion of the international search

17 November 2010

Date of mailing of the international search report

Name and mailing address of the ISA/BR



Facsimile N°

 INSTITUTO NACIONAL DA  
 PROPRIEDADE INDUSTRIAL  
 Rua Mayrink Veiga nº 9, 18º andar  
 cep: 20090-050, Centric - Rio de Janeiro/RJ  
 +55 21 2139-3663

Authorized officer

Vivianne Cardoso Pessoa Guedes

Telephone N°

+55 21 2139-3686/3742

**INTERNATIONAL SEARCH REPORT**

Information on patent family members

International application N<sup>o</sup>

PCT/BR2010/000299

Patent documents cited in search report	Publication date	Patent family members	Publication date
WO 2008090134 A2	2008-07-31	AR 064984 A1 AU 2008208848 A1 CA 2675616 A1 CN 101611429 A EP 2126860 A2 GB 0701347 D0 GB 0708128 D0 JP 2010516573 T MX 2009007679 A US 2008185392 A1 WO 2008090134 A3	2009-05-06 2008-07-31 2008-07-31 2009-12-23 2009-12-02 2007-03-07 2007-06-06 2010-05-20 2009-07-27 2008-08-07 2009-03-05
----- BR 8402465 U -----	----- 2006-05-16 -----	----- - -----	----- - -----
----- BR 8501133 U -----	----- 2007-01-30 -----	----- - -----	----- - -----
----- WO 2008116903 A1 -----	----- 2008-10-02 -----	----- IT SV20070013 A1 -----	----- 2008-09-28 -----