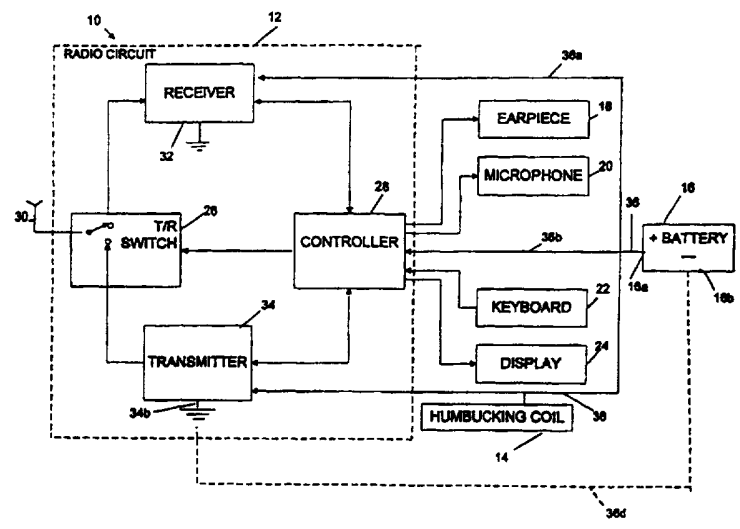




INTERNATIONAL APPLICATION PUBLISHED UNDER THE PATENT COOPERATION TREATY (PCT)

<p>(51) International Patent Classification ⁶ : H04B 15/00</p>	<p>A1</p>	<p>(11) International Publication Number: WO 97/27682 (43) International Publication Date: 31 July 1997 (31.07.97)</p>
<p>(21) International Application Number: PCT/US97/01147 (22) International Filing Date: 24 January 1997 (24.01.97) (30) Priority Data: 08/591,061 25 January 1996 (25.01.96) US (71) Applicant: ERICSSON INC. [US/US]; 7001 Development Drive, P.O. Box 13969, Research Triangle Park, NC 27709 (US). (72) Inventor: DENT, Paul; 637 Eaglepoint Road, Pittsboro, NC 27312 (US). (74) Agents: MOORE, Stanley, R. et al.; Jenkins & Gilchrist, P.C., Suite 3200, 1445 Ross Avenue, Dallas, TX 75202 (US).</p>		<p>(81) Designated States: AL, AM, AT, AU, AZ, BA, BB, BG, BR, BY, CA, CH, CN, CU, CZ, DE, DK, EE, ES, FI, GB, GE, HU, IL, IS, JP, KE, KG, KP, KR, KZ, LC, LK, LR, LS, LT, LU, LV, MD, MG, MK, MN, MW, MX, NO, NZ, PL, PT, RO, RU, SD, SE, SG, SI, SK, TJ, TM, TR, TT, UA, UG, UZ, VN, ARIPO patent (KE, LS, MW, SD, SZ, UG), Eurasian patent (AM, AZ, BY, KG, KZ, MD, RU, TJ, TM), European patent (AT, BE, CH, DE, DK, ES, FI, FR, GB, GR, IE, IT, LU, MC, NL, PT, SE), OAPI patent (BF, BJ, CF, CG, CI, CM, GA, GN, ML, MR, NE, SN, TD, TG).</p> <p>Published <i>With international search report. Before the expiration of the time limit for amending the claims and to be republished in the event of the receipt of amendments.</i></p>

(54) Title: TIME-DUPLEX WIRELESS TELEPHONE WITH IMPROVED HEARING-AID COMPATIBILITY



(57) Abstract

A time-duplex wireless telephone for reducing magnetic coupling between the wireless telephone and a hearing aid to prevent hum pick-up in the hearing aid. The wireless telephone includes a battery, a radio circuit, and a humbucking coil. The radio circuit is connected to the battery and has a transmit mode where transmit signals are transmitted and a receive mode where received signals are received. The radio circuit intermittently is switched between the transmit mode and the receive mode. The radio circuit generates a transmission magnetic field when the radio circuit is transmitting transmit signals. A humbucking coil is connected in the radio circuit to generate a cancellation magnetic field that is directly proportional to the transmission magnetic field and in antiphase with the transmission magnetic field. The cancellation magnetic field at least partially cancels the transmission magnetic field and reduces magnetic coupling between the wireless telephone and a hearing aid used in conjunction with the wireless telephone.

FOR THE PURPOSES OF INFORMATION ONLY

Codes used to identify States party to the PCT on the front pages of pamphlets publishing international applications under the PCT.

AM	Armenia	GB	United Kingdom	MW	Malawi
AT	Austria	GE	Georgia	MX	Mexico
AU	Australia	GN	Guinea	NE	Niger
BB	Barbados	GR	Greece	NL	Netherlands
BE	Belgium	HU	Hungary	NO	Norway
BF	Burkina Faso	IE	Ireland	NZ	New Zealand
BG	Bulgaria	IT	Italy	PL	Poland
BJ	Benin	JP	Japan	PT	Portugal
BR	Brazil	KE	Kenya	RO	Romania
BY	Belarus	KG	Kyrgystan	RU	Russian Federation
CA	Canada	KP	Democratic People's Republic of Korea	SD	Sudan
CF	Central African Republic	KR	Republic of Korea	SE	Sweden
CG	Congo	KZ	Kazakhstan	SG	Singapore
CH	Switzerland	LI	Liechtenstein	SI	Slovenia
CI	Côte d'Ivoire	LK	Sri Lanka	SK	Slovakia
CM	Cameroon	LR	Liberia	SN	Senegal
CN	China	LT	Lithuania	SZ	Swaziland
CS	Czechoslovakia	LU	Luxembourg	TD	Chad
CZ	Czech Republic	LV	Latvia	TG	Togo
DE	Germany	MC	Monaco	TJ	Tajikistan
DK	Denmark	MD	Republic of Moldova	TT	Trinidad and Tobago
EE	Estonia	MG	Madagascar	UA	Ukraine
ES	Spain	ML	Mali	UG	Uganda
FI	Finland	MN	Mongolia	US	United States of America
FR	France	MR	Mauritania	UZ	Uzbekistan
GA	Gabon			VN	Viet Nam

**TIME-DUPLEX WIRELESS TELEPHONE WITH
IMPROVED HEARING-AID COMPATIBILITY**

FIELD OF THE INVENTION

The present invention relates generally to a time-duplex wireless telephone that reduces magnetic coupling between the wireless telephone and hearing aids.

BACKGROUND OF THE INVENTION

5 Time-duplex wireless telephones are used throughout
the world and are employed in cellular systems such as
the European GSM system, the U.S. IS54 system and the
Japanese PDC system. Time-duplex wireless telephones
are wireless telephones that intermittently transmit
10 speech with a transmitter and receive speech with a
receiver. The transmitter operates for a short time
slot in a repetitive frame period to transmit speech to
a base station alternating with the receiver operating
in a different short time slot to receive speech from
15 the base station. Time-duplex wireless telephones are
advantageous in not requiring simultaneous transmission
and reception, allowing costs to be reduced and giving
longer battery life.

20 One problem with time-duplex wireless telephones is
that the transmitter consumes higher current from the
battery than the receiver. This causes the current
drawn from the battery to be cyclic at the frame
repetition rate. The cyclic current gives rise to an

alternating transmission magnetic field that may cause magnetic coupling with certain types of hearing aids. The magnetic coupling that may occur between a wireless telephone and certain hearing aids may generate noise or hum in the hearing aid making use of the wireless telephone less than optimal.

5
10
15
A wireless telephone is needed that will reduce magnetic coupling and hum generated in certain hearing aids when a person with a hearing aid uses the wireless telephone. Unrelated art areas have addressed magnetic coupling and techniques for reducing magnetic coupling have been referred to as "humbucking". For example, in certain types of antique radio sets that operated from the AC supply hum at one or two times the supply frequency could originate in a number of ways.

20
25
30
One particular source of hum was use of a loudspeaker having an electromagnet instead of a permanent magnet. The electromagnet's coils served a dual purpose and also provided a smoothing inductance for the main supply rectifiers. In removing supply ripple from the supply, the speaker's electromagnet caused an AC field at the ripple frequency which induced a hum component into the speaker armature coil. To remove this, a known practice was to provide an auxiliary winding around the electromagnet's coil to obtain a sample of the ripple signal by transformer action. This was then added in antiphase in series with the speaker's armature coil to cancel hum. The extra winding was known as a "humbucking coil" and functioned to cancel an internal voltage fed to the speaker.

35
Another source of hum that was reduced by a technique known as "humbucking" occurred when directly heated filament tubes were connected to an AC filament supply. If one end of the filament was grounded and the other connected to an AC filament supply, then part

of the filament, which was also the cathode, would have a line-frequency voltage relative to the control grid. This line frequency voltage caused anode current fluctuations at the line frequency and therefore hum in the speaker. One method to avoid that was to use a center-tapped filament transformer such that one end of the filament was energized with an antiphase line frequency component compared to the other. If the tube filament was symmetrically constructed, line frequency hum was thereby reduced. This arrangement was sometimes improved by using a variable potentiometer across the filament transformer winding to provide a variable center tap connection to ground. The tap position could then be adjusted to provide improved cancellation, not only of the filament-induced hum but also of other sources of line frequency hum. The process of adjusting the tap position was known as "bucking the hum."

More recently, adaptive humbucking has been provided on certain musical instrument amplifiers. Electric guitars are usually coupled by long leads to heavy high-power amplifiers to provide the artist with mobility. The long leads are a potential source of hum pick-up. In certain constructions, the amplifier may contain a means to inject a variable amount of line frequency or ripple or its harmonics in order to cancel the hum. This may be done when no music is being played by manually initiating the "humbucking" operation.

Another type of humbucking is a method for removing unwanted long-term repetitive components from an audio system that are related to a line frequency. A trigger clock is generated from line supply voltage zero crossings and synchronizes the sampling of the audio output into a digital signal processor (DSP) memory. The DSP accumulates like samples from one line period

to the next in order to build a picture of the line-frequency-related interference waveform. Other, wanted signal components that would not in general correlate with the line frequency are averaged out of this process so only the interference waveform is obtained, which is then subtracted from the audio output. If the process successfully removes all repetitive components, the cancellation waveform ceases to accumulate and convergence has occurred.

SUMMARY

10 The wireless telephone of the present invention is designed for people with hearing aids. The wireless telephone includes a battery, a radio circuit, and a humbucking coil. The radio circuit is connected to the battery and has a transmit mode where transmit signals are transmitted and a receive mode where received signals are received. The radio circuit intermittently is switched between the transmit mode and the receive mode. The radio circuit generates a transmission magnetic field when the radio circuit is transmitting transmit signals. A humbucking coil is connected in the radio circuit to generate a cancellation magnetic field that is directly proportional to the transmission magnetic field and in antiphase with the transmission magnetic field. The cancellation magnetic field at least partially cancels the transmission magnetic field and reduces magnetic coupling between the wireless telephone and a hearing aid used in conjunction with the wireless telephone.

30 Accordingly, it is an object of the present invention to provide a time-duplex wireless telephone that reduces hum pickup in a hearing aid during use of the wireless telephone.

Another object of the present invention is to provide a humbucking coil for generating a cancellation

magnetic field that is directly proportional to the magnetic field generated by the radio circuit of the wireless telephone during operation.

BRIEF DESCRIPTION OF THE DRAWINGS

5 Figure 1 is a simplified block diagram of a preferred embodiment wireless telephone.

Figure 2 is a schematic side view of a wireless telephone of the preferred embodiment depicting the physical location of components in the wireless telephone.

10 Figure 3a is a electrical schematic showing the humbucking coil connected between the power amplifier and battery according to the preferred embodiment.

15 Figure 3b is an equivalent electrical schematic showing the humbucking coil connected between the battery and power amplifier according to the preferred embodiment.

Figure 4 is a simplified block diagram of an alternate embodiment wireless telephone.

DETAILED DESCRIPTION OF THE PREFERRED EMBODIMENTS

20 Referring to the drawings, a time-duplex wireless telephone according to the present invention is shown and indicated by the numeral 10. In the preferred embodiment, wireless telephone 10 is telephone of the type which is operational in a TDMA cellular system such as the European GSM system, the U.S. IS54 system and the Japanese PDC system. The wireless telephone 10 is a time-duplex telephone that receives signals from a base station and transmits signals to the base station during different time slots in a conventional manner. The present invention is directed to a time-duplex
30 wireless telephone 10 that has been adapted to reduce magnetic coupling between the wireless telephone 10 and a hearing aid or other electronic apparatus placed in a

location proximate to the wireless telephone 10. The present invention is applicable to any time-duplex wireless telephone that transmits and receives at different times. Accordingly, the time-duplex wireless telephone 10 of the present invention can be employed in various time division multiple access (TDMA) and code division multiple access (CDMA) cellular systems.

As shown in Figure 1, wireless telephone 10 generally includes a radio circuit 12, a humbucking coil 14, a power source or battery 16, and various telephone components such as an earpiece 18, microphone 20, keyboard 22 and display 24. Radio circuit 12 is a conventional radio circuit that provides for intermittent reception and transmission by operating a transmit/receive (T/R) switch 26 from a controller 28 that includes control circuitry. The T/R switch 26 alternatively connects an antenna 32 to receiver 32 to switch the wireless telephone 10 to a receive mode and to transmitter 34 to switch wireless telephone 10 to a transmit mode.

The total active circuitry in the radio circuit 12 is shown partitioned into a receiver 32 that operates intermittently, transmitter 34 that operates intermittently and more or less continuously active controller 28. The receiver 32, transmitter 34, and controller 28 include conventional receiver, transmitter, and control circuits, respectively. This partitioning shown in Figure 1 is not meant to imply any particular physical partitioning but rather a functional partitioning. Nevertheless, it is usual that the transmitter circuits of transmitter 34, which consume the highest intermittent currents to be drawn from battery (16), are contained in a physically distinct component or Power Amplifier (PA) chip. The PA chip is usually connected directly to the battery 16 to avoid the voltage drop or losses associated with any

switch or regulator circuit. The transmitter 32 is designed in a conventional manner to be disabled when T/R switch 26 is switched to connect the antenna 30 to the receiver circuitry 32. The transmitter 32 is disabled by removing a bias signal or the radio frequency drive signal, upon which it ceases to consume current although it remains connected to the battery 16.

The transmitter 34, receiver 32, and controller 28 are connected to the battery 16 by a supply path 36. The supply path 36 is formed by tracks within a printed circuit board that lead from the positive lead 16a of battery 16 to the radio circuitry 12. The battery current path 36 is schematically shown in Figure 1 to include a receiver path 36a, controller path 36b, and a transmitter path 36c. Low currents flow through the receiver path 36a to receiver 32 and through the controller path 36b to the controller 28. These low currents do not typically induce magnetic field that could cause problematic coupling with hearing aids.

High currents do flow through the transmitter 34. The transmitter current from battery 16 flows to transmitter 34 in a loop formed by transmitter path 36c and a ground path 36d. Ground path 36d extends from the negative terminal 16b of battery 16 to the ground terminal 34b of transmitter 34.

The transmitter current flows in a loop during transmission creating a transmission magnetic field. The greater the area of the loop, the greater the magnetic field will be at a given distance from the wireless telephone 10. The actual, physical path taken by transmitter current flowing from the battery 16 to the transmitter 34 may be quite complicated and not usually designed to be of any particular form. Attempts can be made in design to minimize area of the current loop around the PC board through which

transmitter current flows, but the large physical size of the battery may make the battery field then dominate.

5 Humbucking coil 14 in the preferred embodiment is connected in the transmitter path 36c to bypass a fraction of the transmitter current and generate a cancellation magnetic field. The humbucking coil 14 generates a cancellation magnetic field that is directly proportional to the transmitter current, and that is in antiphase with the transmission magnetic field. As discussed in more detail below, the humbucking coil 14 generates a cancellation magnetic field that at least partially cancels the transmission magnetic field to reduce coupling between the wireless telephone 10 and other electronic apparatuses such as hearing aids.

10 Referring to Figure 2, wireless telephone 10 is schematically shown. A removable, rechargeable battery 16 is attached to the back side of the wireless telephone 10 and earpiece 18 is connected to the front side. Battery 16 and earpiece 18 are electrically connected to a printed circuit board 40. A transmitter power amplifier 42 (PA), which includes transmitter circuits of transmitter 34, lies at a top end of wireless telephone 10 in as close proximity to the antenna 30 as possible in order to minimize RF losses, and the battery terminals 16a and 16b lie at the bottom end. The transmitter current must therefore pass from one end of the wireless telephone 10 clear to the other end through a path which in the prior art was largely accidental in shape.

25 The humbucking path 14a connects the positive battery terminal 16a from a point near the battery terminal 16a on the PC board 40 to another point in the transmission path 36c on the PC board 40 near the transmitter power amplifier 42. The humbucking path

14a connects that humbucking coil 14 in the transmission path 36c so that a portion of the transmission current will flow through the humbucking coil 14 when the transmitter 34 is activated. The humbucking coil 14 is placed in the wireless telephone 10 in a location that will place the humbucking coil 14 generally adjacent a hearing aid when the wireless telephone 10 is held to a person's ear during use. In the preferred embodiment, the humbucking coil 14 encircles the earpiece 18 and is located in an upper front portion of the wireless telephone 10. This results in the humbucking coil generating a cancellation magnetic field in a location proximate the earpiece 18 where a hearing aid will be located when the wireless telephone 10 is held adjacent to a person's ear. Accordingly, the humbucking coil 14 provides for greatest coupling in the area where the hearing aid will be located during use of the wireless telephone 10.

The dimensions, sense, orientation and number of turns of the humbucking coil 14 must of course be determined by experimentation using a particular wireless telephone 10 design in order to generate a cancellation magnetic field that effectively cancels the transmission magnetic field. The humbucking coil 14 is not necessarily oriented or placed exactly as drawn in Figure 2, which is meant only to be illustrative of the principle of locating the humbucking coil 14 such that it will be generally adjacent the hearing aid during use of the wireless telephone 10.

Figure 3a and 3b show schematic representations of the transmission path 36c connecting the battery 16 to the power amplifier (PA) 42. The transmission path 36c for current flow between battery 16 and power amplifier 42 is optionally extended by inclusion of a little

extra, deliberate track length or humbucking resistor 44 on the printed circuit board 40. The humbucking resistor 44 allows a selected small voltage drop to occur, allowing a proportion of the transmission
5 current to flow through the humbucking coil 14 which is connected in parallel to the transmission path 36c, as shown in the equivalent electrical circuit of Figure 3b. The extra track length forming the humbucking resistor 44 can optionally comprise a meander line with
10 breakable links to provide a means of adjusting the amount of transmission current that is bypassed through the humbucking coil 14.

Bypassing only a fraction of the transmission current is not meant to imply a limitation of the
15 invention to this mode. Indeed, the humbucking coil 14 may bypass a fraction of the entire battery current consumed by all circuits. To bypass a fraction of the entire battery current, the humbucking resistor 44 is positioned in the battery path to receive the entire
20 battery current and the humbucking coil is connected in parallel with the humbucking resistor 44.

Moreover, the inventive introduction of a humbucking coil 14 to reduce radiated magnetic hum fields is not restricted to a passive implementation as
25 shown in Figure 2 and Figures 3a and 3b. As an alternative, humbucking coil 14 could be provided that would only require a small current drive to produce a cancelling field. The low-current drive could be provided by a transistor switch activated by the
30 transmit enable signal to the T/R switch, for example. In the case of a PIN diode switch, the diode current itself could flow through the humbucking coil thus obtaining dual use of the same current for efficiency. Such a low current is more convenient to adjust in the
35 case that adjustment is necessary, but also creates the need to adjust it in proportion to the current

consumption of power amplifier 42 in order to achieve cancellation. This could be achieved by use of a D-to-A converter to convert digitally prestored current values to currents in relation to the transmit power level selected, or could be user-adjusted by means of the display 24 and keyboard 22 for best operation.

Turning to Figure 4, a wireless telephone 10a according to an alternative embodiment is shown. Wireless telephone 10a includes the components of the wireless telephone 10 shown in Figures 1, 2, 3a & 3b. In wireless telephone 10a, however, the humbucking coil 14 is connected to a current drive 50 which passes current through the humbucking coil 14 for generating the cancellation magnetic field. The current drive 50 is adjustable to control the current passing through the humbucking coil 14 and the corresponding cancellation magnetic field generated. The current drive is preferably a D-to-A converter. The D-to-A converter includes prestored current values and generates a selected current to be passed through the humbucking coil 14 based on the prestored current value selected.

Controller 28 activates and selects a prestored current value in the current drive 50 by outputting a control signal to the current drive 50. The control signal activates the current drive 50 when the transmitter 34 is transmitting by using, for example, the transmit enable signal. In one embodiment, the control signal also represents a prestored current value that corresponds to the current consumption of the transmitter 34. The control current, accordingly, causes the current drive 50 to be adjusted in proportion to the current consumption of the transmitter 34. In another embodiment, the prestored current value outputted to the current drive 50 can be user-selected using the keyboard 22, allowing a user of

wireless telephone 10a to manually adjust the
cancellation magnetic field.

5 It will be appreciated by those of ordinary skill
in the art that the present invention can be embodied
in other specific forms without departing from the
spirit of essential character thereof. The presently
disclosed embodiments are therefore considered in all
respects to be illustrative and not restrictive.

What is claimed is:

1. A wireless telephone comprising:
 - a) a power source;
 - b) transmitter means connected to the power source for intermittently transmitting transmit signals, wherein a transmission magnetic field is generated during transmission of said transmit signals;
 - c) receiver means connected to the power source for intermittently receiving receive signals at times different from when said transmitter means transmits transmit signals; and
 - d) humbucking means for generating a cancellation magnetic field when said transmitter means is transmitting transmit signals so as to at least partially cancel said transmission magnetic field and reduce magnetic coupling between said wireless telephone and proximate electronic apparatuses.
2. The wireless telephone of claim 1, further including an earpiece for converting said receive signals to corresponding acoustic signals, and wherein said humbucking means is disposed adjacent said earpiece so as to generate said cancellation magnetic field in an area proximate said earpiece so that magnetic coupling between said wireless telephone and electronic apparatuses proximate said earpiece is reduced.
3. The wireless telephone of claim 1, wherein said humbucking means generates said cancellation magnetic field in antiphase with said transmission magnetic field.

4. The wireless telephone of claim 1, wherein the humbucking means includes a humbucking coil.

5 5. The wireless telephone of claim 4, including a supply path for passing supply current from said power supply to said transmitter means and said receiver means, wherein said humbucking coil is connected to said supply path to bypass a fraction of said supply current during transmission of said transmit signals.

5 6. The wireless telephone of claim 5, wherein the supply path includes a transmitter path for passing transmitter current from said power supply to said transmitter means, wherein said humbucking coil is connected in said transmitter path so as to pass a fraction of said transmitter current, and wherein said fraction of said transmitter current passing through said humbucking coil is directly proportional to said transmitter current such that said cancellation magnetic field is directly proportional to said transmission magnetic field.

10

7. The wireless telephone of claim 5, wherein the humbucking coil is connected in parallel across a path length in said supply path having a selected resistance.

8. The wireless telephone of claim 7, wherein the resistance of said path length in said supply path is adjustable so as to adjust said fraction of said supply current passing through said humbucking coil.

9. The wireless telephone of claim 1, further including control circuitry and a T/R switch for

intermittently connecting said transmitter and said receiver to an antenna.

10. The wireless telephone of claim 1, wherein said humbucking means includes a humbucking coil and a current drive for passing current through said humbucking coil so as to generate said cancellation magnetic field.

11. The wireless telephone of claim 10, wherein said current drive is adjustable to control the current outputted by said current drive.

12. The wireless telephone of claim 11, wherein said humbucking means includes means for adjusting said current drive so that current is outputted from said current drive in proportion to said current consumed by said transmitter means.

13. The wireless telephone of claim 11, wherein said current drive is adjustable in response to keyboard inputs from said wireless telephone.

14. A wireless telephone comprising:

a) a power source;

b) a radio circuit connected to said power

source and having a transmit mode where transmit signals are transmitted by a transmitter and a receiver mode where receive signals are received by receive circuitry, said radio circuit intermittently switched between said transmit mode and said receive mode, and wherein said radio circuit generates a transmission magnetic field when said radio circuit is transmitting transmit signals; and

15 c) a humbucking coil connected in said radio
circuit for generating a cancellation magnetic
field that is directly proportional to said
transmission magnetic field so as to at least
partially cancel said transmission magnetic field
and reduce magnetic coupling between said wireless
telephone and proximate electronic apparatuses.

5 15. The wireless telephone of claim 14, further
including an earpiece for converting said receive
signals to corresponding acoustic signals, and wherein
said humbucking coil is disposed adjacent said earpiece
so as to generate said cancellation magnetic field in
an area proximate said earpiece so that magnetic
coupling between said wireless telephone and electronic
apparatuses proximate said earpiece is reduced.

16. The wireless telephone of claim 14, wherein
said humbucking coil generates said cancellation
magnetic field in antiphase with said transmission
magnetic field.

5 17. The wireless telephone of claim 14, including
a supply path for passing supply current from said
power supply to said transmitter and said receiver,
wherein said humbucking coil is connected to said
supply path to bypass a fraction of said supply current
during transmission of transmit signals.

5 18. The wireless telephone of claim 14, wherein
the supply path includes a transmitter path for passing
transmitter current from said power supply to said
transmitter, wherein said humbucking coil is connected
in said transmitter path so as to pass a fraction of
said transmitter current, and wherein said fraction of
said transmitter current passing through said

10 humbucking coil is directly proportional to said transmitter current such that said cancellation magnetic field is directly proportional to said transmission magnetic field.

19. The wireless telephone of claim 17, wherein the humbucking coil is connected in parallel across a path length in said supply path having a selected resistance.

20. The wireless telephone of claim 19, wherein the resistance of said path length in said supply path is adjustable so as to adjust said fraction of said supply current passing through said humbucking coil.

5 21. The wireless telephone of claim 14, further including a current drive connecting said humbucking coil to said radio circuit, said current drive passing current through said humbucking coil so as to generate said cancellation magnetic field.

22. The wireless telephone of claim 21, wherein said current drive is adjustable to control the current outputted by said current drive.

23. The wireless telephone of claim 22, further including means for adjusting said current drive so as to output current from said current drive in proportion to said current consumed by said transmitter means.

24. The wireless telephone of claim 22, wherein said current drive is adjustable in response to keyboard inputs from said wireless telephone.

25. A wireless telephone comprising:
a) a power source;

5 b) a radio circuit for transmitting and receiving, wherein turning operating of said radio circuit a first magnetic field is generated by said radio circuit; and

10 c) a humbucking coil coupled to said radio circuit for generating a second magnetic field to at least partially cancel said first magnetic field and reduce magnetic coupling between said wireless telephone and proximate electronic apparatuses.

26. The wireless telephone of claim 25, wherein said humbucking coil is coupled in said radio circuit so that said second magnetic field is directly proportional to current consumed by said radio circuit.

5 27. The wireless telephone of claim 25, further including a transmitter for transmitting transmit signals and connected to said power supply by a transmitter path, and wherein said humbucking coil is connected to said transmitter path to bypass current from said transmitter path and generate said second magnetic field.

5 28. The wireless telephone of claim 25, further including a current drive connecting said humbucking coil to said radio circuit, said current drive passing current through said humbucking coil so as to generate said cancellation magneti field.

29. The wireless telephone of claim 28, wherein said current drive is adjustable to control the current outputted by said current drive.

30. The wireless telephone of claim 29, where the further including means for adjusting said current drive so as to output current from said current drive

5 in proportion to said current consumed by said
transmitter means.

31. The wireless telephone of claim 29, wherein
said current drive is adjustable in response to
keyboard inputs from said wireless telephones.

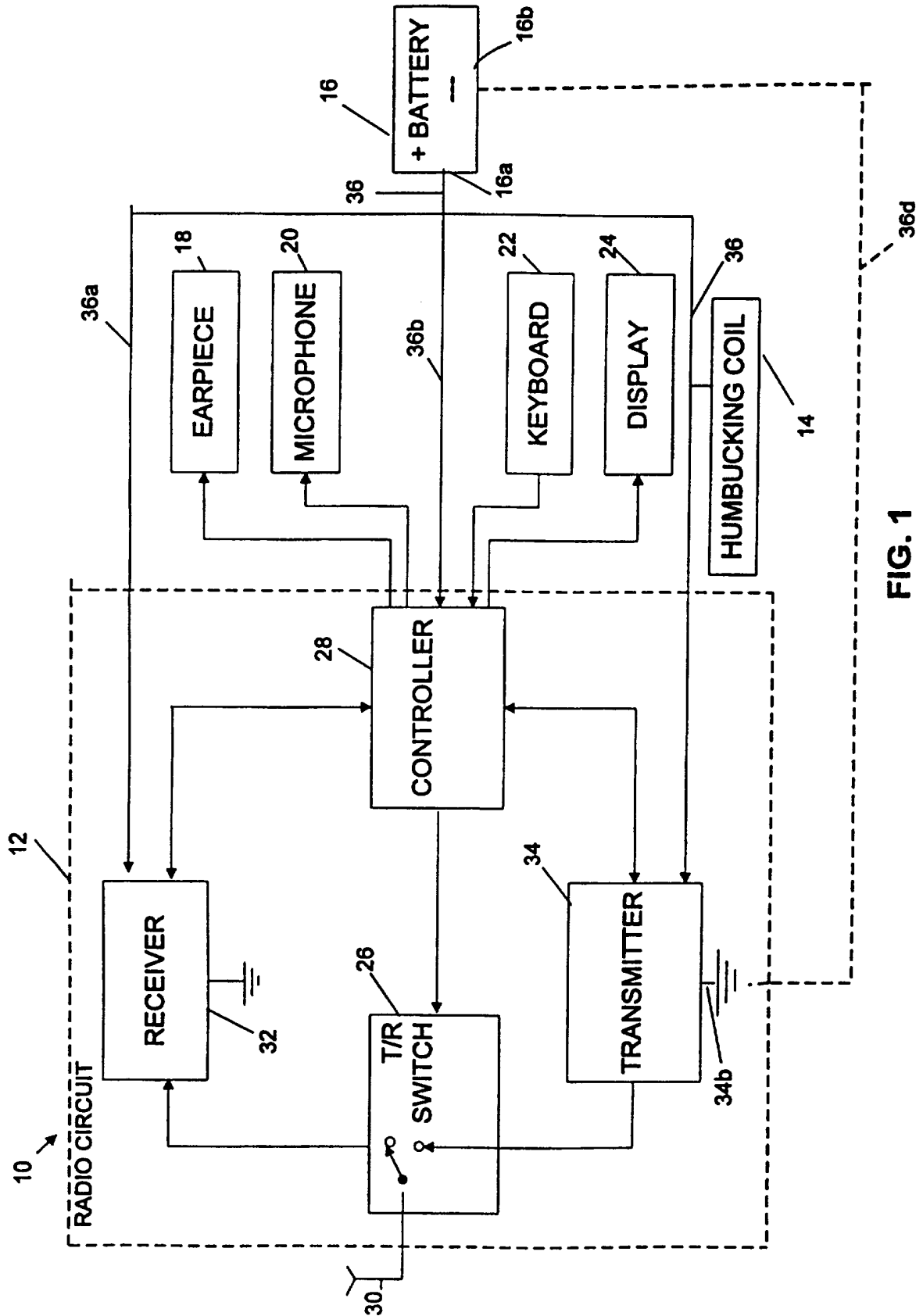


FIG. 1

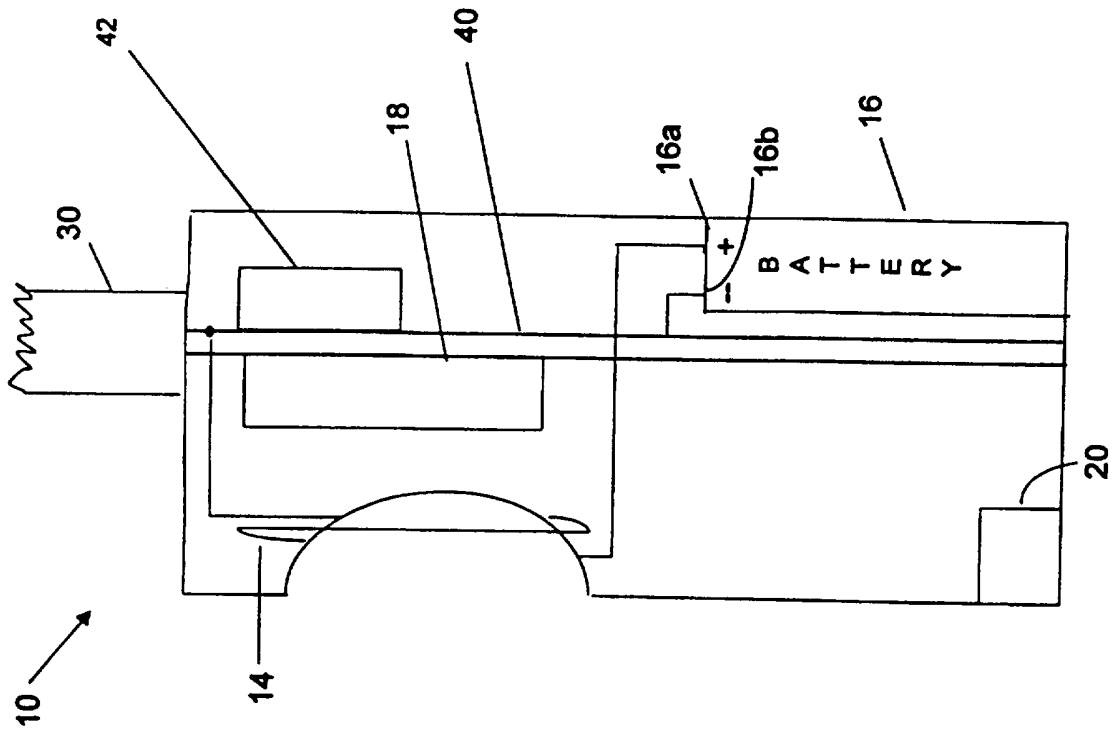


FIG. 2

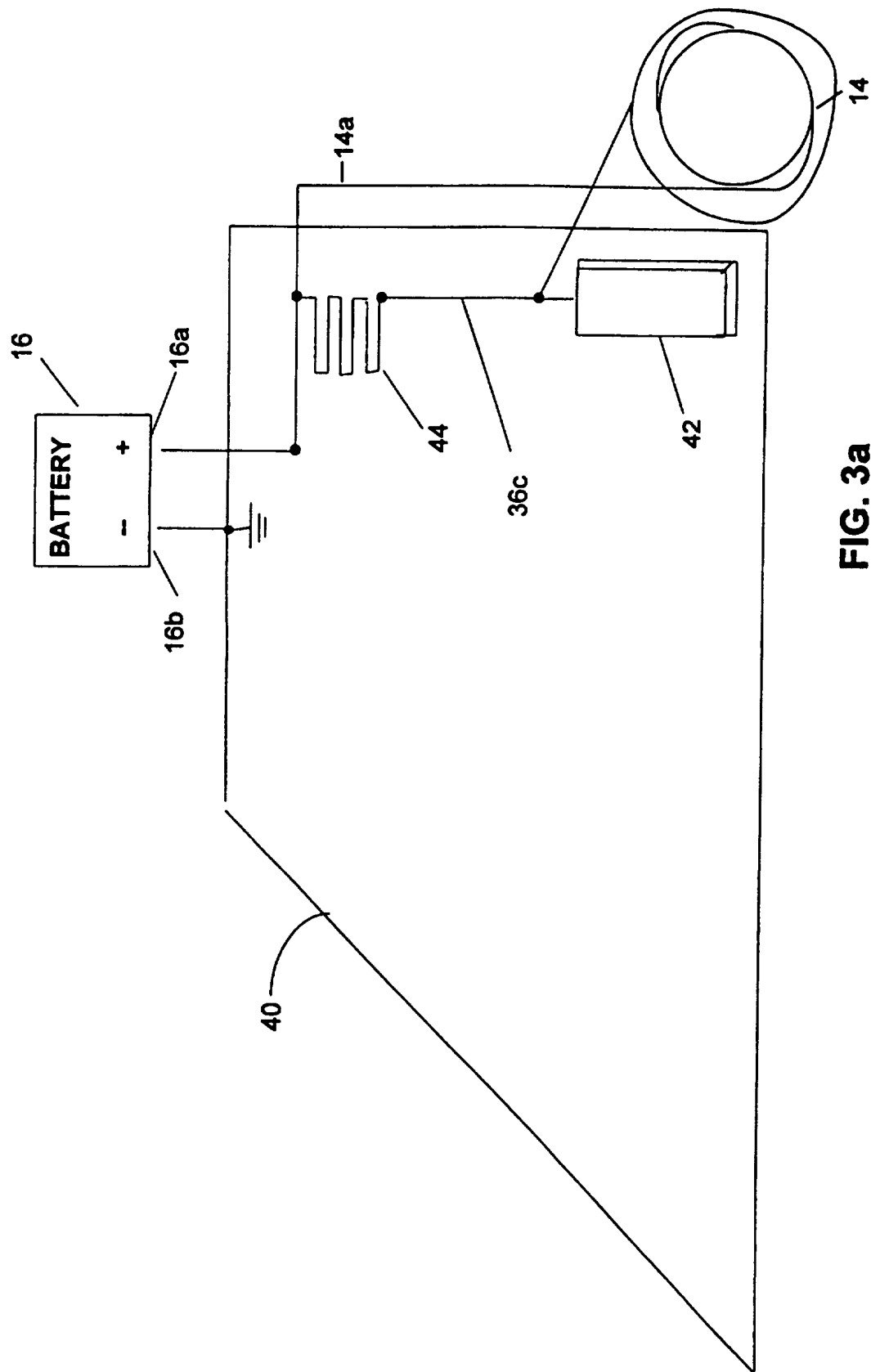


FIG. 3a

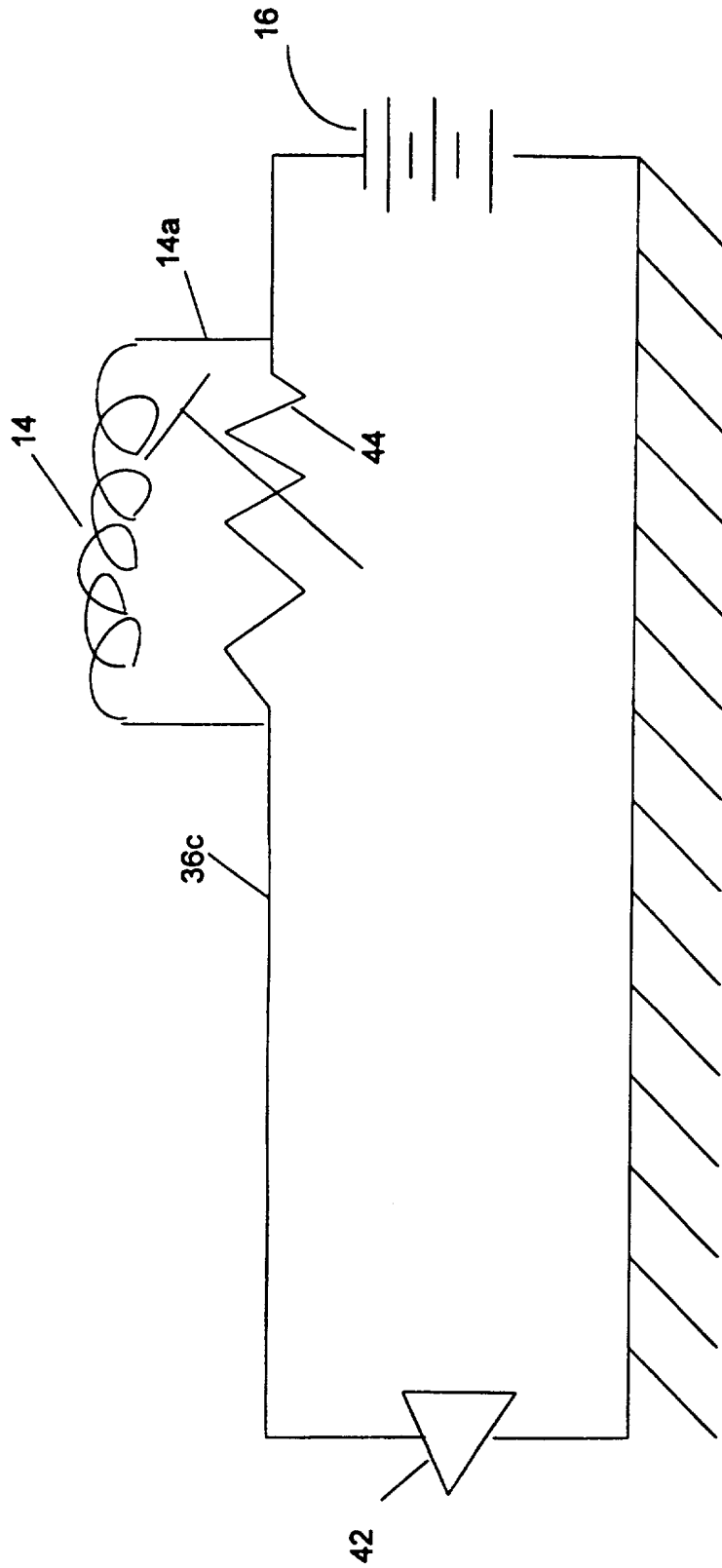


FIG. 3b

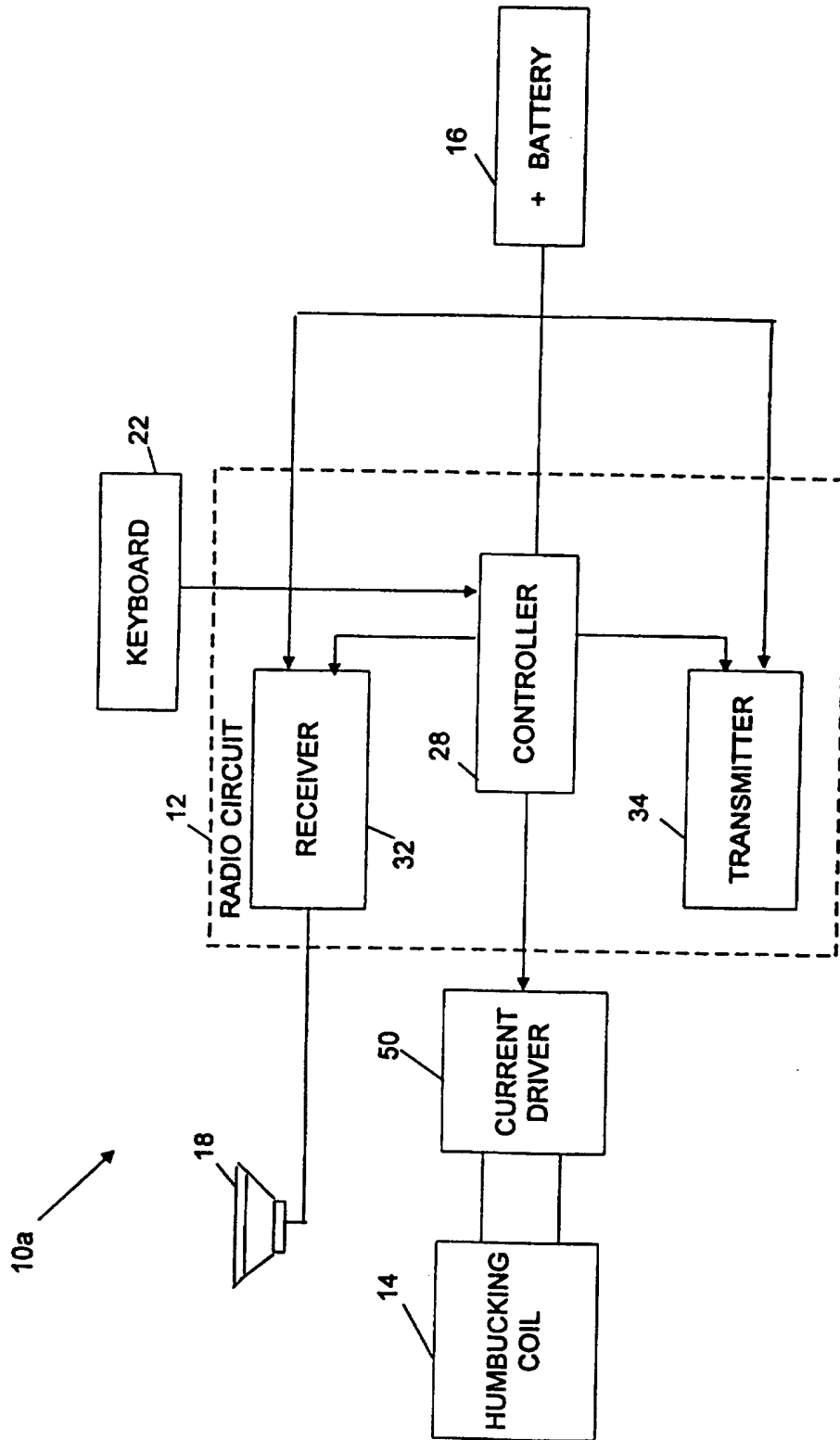


FIG. 4

INTERNATIONAL SEARCH REPORT

International . ication No
PCT/US 97/01147

A. CLASSIFICATION OF SUBJECT MATTER
IPC 6 H04B15/00

According to International Patent Classification (IPC) or to both national classification and IPC

B. FIELDS SEARCHED

Minimum documentation searched (classification system followed by classification symbols)
IPC 6 H04B

Documentation searched other than minimum documentation to the extent that such documents are included in the fields searched

Electronic data base consulted during the international search (name of data base and, where practical, search terms used)

C. DOCUMENTS CONSIDERED TO BE RELEVANT

Category *	Citation of document, with indication, where appropriate, of the relevant passages	Relevant to claim No.
A	EP 0 405 783 A (FERRANTI CREDITPHONE) 2 January 1991 see the whole document ---	1,14,25
A,P	PATENT ABSTRACTS OF JAPAN vol. 096, no. 010, 31 October 1996 & JP 08 162995 A (NEC CORP) see abstract ---	1,14,25
A	US 2 989 705 A (ROMANO ET AL) 20 June 1961 see column 1, line 62 - column 2, line 10 -----	1,14,25

Further documents are listed in the continuation of box C.

Patent family members are listed in annex.

* Special categories of cited documents :

- *A* document defining the general state of the art which is not considered to be of particular relevance
- *E* earlier document but published on or after the international filing date
- *L* document which may throw doubts on priority claim(s) or which is cited to establish the publication date of another citation or other special reason (as specified)
- *O* document referring to an oral disclosure, use, exhibition or other means
- *P* document published prior to the international filing date but later than the priority date claimed

- *T* later document published after the international filing date or priority date and not in conflict with the application but cited to understand the principle or theory underlying the invention
- *X* document of particular relevance; the claimed invention cannot be considered novel or cannot be considered to involve an inventive step when the document is taken alone
- *Y* document of particular relevance; the claimed invention cannot be considered to involve an inventive step when the document is combined with one or more other such documents, such combination being obvious to a person skilled in the art.
- * & * document member of the same patent family

Date of the actual completion of the international search 23 June 1997	Date of mailing of the international search report - 4. 07. 97
---	---

Name and mailing address of the ISA European Patent Office, P.B. 5818 Patentlaan 2 NL - 2280 HV Rijswijk Tel. (+ 31-70) 340-2040, Tx. 31 651 epo nl, Fax (+ 31-70) 340-3016	Authorized officer Gerling, J.C.J.
---	---

INTERNATIONAL SEARCH REPORT

Information on patent family members

International Publication No

PCT/US 97/01147

Patent document cited in search report	Publication date	Patent family member(s)	Publication date
EP 0405783 A	02-01-91	AU 5764890 A	03-01-91
		CA 2019266 A	29-12-90
		JP 3114320 A	15-05-91
		US 5247704 A	21-09-93

US 2989705 A	20-06-61	NONE	
