



(11) **EP 4 365 117 A3**

(12) **EUROPEAN PATENT APPLICATION**

(88) Date of publication A3:
12.06.2024 Bulletin 2024/24

(43) Date of publication A2:
08.05.2024 Bulletin 2024/19

(21) Application number: **24150199.8**

(22) Date of filing: **28.10.2022**

(51) International Patent Classification (IPC):
H01M 8/248 ^(2016.01) **H01M 8/043** ^(2016.01)
H01M 8/2404 ^(2016.01) **H01M 8/124** ^(2016.01)
C25B 9/60 ^(2021.01) **H01M 8/2432** ^(2016.01)
B65G 61/00 ^(2006.01) **B62B 3/14** ^(2006.01)
H01M 8/12 ^(2016.01)

(52) Cooperative Patent Classification (CPC):
H01M 8/248; C25B 1/042; C25B 1/23; C25B 9/73;
C25B 15/00; H01M 8/043; H01M 8/124;
H01M 8/2404; H01M 8/2432; B62B 3/1472;
H01M 2008/1293; Y02E 60/50

(84) Designated Contracting States:
AL AT BE BG CH CY CZ DE DK EE ES FI FR GB
GR HR HU IE IS IT LI LT LU LV MC ME MK MT NL
NO PL PT RO RS SE SI SK SM TR
Designated Extension States:
BA
Designated Validation States:
KH MA MD TN

(62) Document number(s) of the earlier application(s) in accordance with Art. 76 EPC:
22204322.6 / 4 362 149

(71) Applicants:
• **Horiba France SAS**
91120 Palaiseau (FR)

• **HORIBA FuelCon GmbH**
39179 Magdeburg-Barleben (DE)

(72) Inventors:
• **RACHAU, Mathias**
39326 Wolmirstedt (DE)
• **HÜBNER, Stefan**
39365 Ummendorf (DE)
• **TARDIEU, Jérôme**
84290 Saint Roman de Malegarde (FR)

(74) Representative: **Cabinet Nony**
11 rue Saint-Georges
75009 Paris (FR)

(54) **A TRANSPORT AND TESTING TROLLEY FOR MOVING AND CONDITIONING AND/OR TESTING STACKED**

(57) The invention relates to a transport and testing trolley (1) for moving and conditioning and/or testing stacked assemblies of electrolyser and/or fuel cell components. The trolley allows to take stacks immediately at the end of an in-zone production, for example an inline

production, to transport them directly to a conditioning and/or testing station and to implement conditioning and/or testing step(s) of said stacks directly on the trolley, without having to manipulate them before said steps.

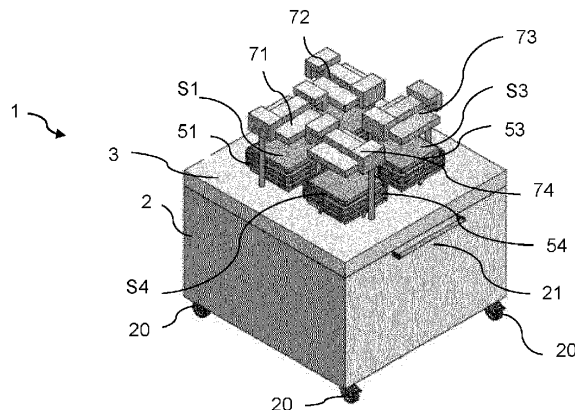


Fig.1

EP 4 365 117 A3



EUROPEAN SEARCH REPORT

Application Number

EP 24 15 0199

5

10

15

20

25

30

35

40

45

50

55

DOCUMENTS CONSIDERED TO BE RELEVANT			
Category	Citation of document with indication, where appropriate, of relevant passages	Relevant to claim	CLASSIFICATION OF THE APPLICATION (IPC)
Y	WO 2005/081006 A1 (HYDROGENICS CORP [CA]; LAMONT GORDON JOHN [CA] ET AL.) 1 September 2005 (2005-09-01)	1-6	INV. H01M8/248 H01M8/043
A	* figures 1,2,4 * * page 7, lines 12-32 *	7-14	H01M8/2404 H01M8/124 C25B9/60
Y	JP 2010 061831 A (TOYOTA MOTOR CORP) 18 March 2010 (2010-03-18)	1-6	H01M8/2432 B65G61/00
A	* figures 6,7 * * paragraphs [0037] - [0039] *	7-14	B62B3/14
Y	US 2016/164130 A1 (LIM JUNHONG [KR]) 9 June 2016 (2016-06-09)	1-6	ADD. H01M8/12
A	* figures 2a,2b,3 * * paragraphs [0088] - [0107], [0176] - [0178] *	7-14	
E	WO 2023/057720 A1 (COMMISSARIAT ENERGIE ATOMIQUE [FR]) 13 April 2023 (2023-04-13) * figure 3 * * page 7, line 20 - page 8, line 22 *	1, 3, 5, 6	TECHNICAL FIELDS SEARCHED (IPC)
Y	US 2007/277367 A1 (STELTER MICHAEL [DE]) 6 December 2007 (2007-12-06)	1-6	H01M C25B B65G B62B
A	* figures 1-4 * * paragraphs [0019] - [0033], [0052] - [0054] *	7-14	
X	DE 10 2021 100954 A1 (SCHAEFFLER TECHNOLOGIES AG [DE]) 21 July 2022 (2022-07-21)	1-6, 12-14	
A	* figure 1 * * paragraphs [0020] - [0029] *	7-11	
The present search report has been drawn up for all claims			
Place of search Munich		Date of completion of the search 29 April 2024	Examiner Jacquinot, Patrick
CATEGORY OF CITED DOCUMENTS X : particularly relevant if taken alone Y : particularly relevant if combined with another document of the same category A : technological background O : non-written disclosure P : intermediate document		T : theory or principle underlying the invention E : earlier patent document, but published on, or after the filing date D : document cited in the application L : document cited for other reasons & : member of the same patent family, corresponding document	

1
EPO FORM 1503 03:82 (P04C01)

ANNEX TO THE EUROPEAN SEARCH REPORT
ON EUROPEAN PATENT APPLICATION NO.

EP 24 15 0199

5 This annex lists the patent family members relating to the patent documents cited in the above-mentioned European search report.
The members are as contained in the European Patent Office EDP file on
The European Patent Office is in no way liable for these particulars which are merely given for the purpose of information.

29-04-2024

Patent document cited in search report	Publication date	Patent family member(s)	Publication date
WO 2005081006 A1	01-09-2005	NONE	
JP 2010061831 A	18-03-2010	NONE	
US 2016164130 A1	09-06-2016	CN 105680070 A DE 102015217821 A1 KR 20160069309 A US 2016164130 A1	15-06-2016 09-06-2016 16-06-2016 09-06-2016
WO 2023057720 A1	13-04-2023	CA 3233798 A1 FR 3127850 A1 WO 2023057720 A1	13-04-2023 07-04-2023 13-04-2023
US 2007277367 A1	06-12-2007	AT E407461 T1 CA 2533669 A1 CN 1856897 A DE 10334129 A1 DK 1649536 T3 EP 1649536 A2 JP 5255767 B2 JP 2006528821 A KR 20060052871 A US 2007277367 A1 WO 2005013390 A2	15-09-2008 10-02-2005 01-11-2006 17-02-2005 26-01-2009 26-04-2006 07-08-2013 21-12-2006 19-05-2006 06-12-2007 10-02-2005
DE 102021100954 A1	21-07-2022	DE 102021100954 A1 WO 2022156850 A1	21-07-2022 28-07-2022