



(43) International Publication Date
30 November 2023 (30.11.2023)

- (51) International Patent Classification:
B60P 3/20 (2006.01) *B60H 1/32* (2006.01)
- (21) International Application Number:
PCT/TR2023/050440
- (22) International Filing Date:
12 May 2023 (12.05.2023)
- (25) Filing Language: English
- (26) Publication Language: English
- (30) Priority Data:
2022/008693 27 May 2022 (27.05.2022) TR
- (71) Applicant: ATC MEKATRONİK ULUSLARARASI
DIŞ TİCARET VE SANAYİ LİMİTED ŞİRKETİ
[TR/TR]; Yeni Mah. 4386 Sk. No: 2 /1A, Sarıçam/Adana
(TR).
- (72) Inventor: ÇITAK, Ercan; Yeni Mah. 4386 Sk. No: 2 /1A,
Sarıçam/Adana (TR).

(74) Agent: TERCİH PATENT A.Ş.; F.Çakmak Mah. 10633
Sokak Yüntes Plaza 4/109, Karatay/Konya (TR).

(81) Designated States (unless otherwise indicated, for every kind of national protection available): AE, AG, AL, AM, AO, AT, AU, AZ, BA, BB, BG, BH, BN, BR, BW, BY, BZ, CA, CH, CL, CN, CO, CR, CU, CV, CZ, DE, DJ, DK, DM, DO, DZ, EC, EE, EG, ES, FI, GB, GD, GE, GH, GM, GT, HN, HR, HU, ID, IL, IN, IQ, IR, IS, IT, JM, JO, JP, KE, KG, KH, KN, KP, KR, KW, KZ, LA, LC, LK, LR, LS, LU, LY, MA, MD, MG, MK, MN, MU, MW, MX, MY, MZ, NA, NG, NI, NO, NZ, OM, PA, PE, PG, PH, PL, PT, QA, RO, RS, RU, RW, SA, SC, SD, SE, SG, SK, SL, ST, SV, SY, TH, TJ, TM, TN, TR, TT, TZ, UA, UG, US, UZ, VC, VN, WS, ZA, ZM, ZW.

(84) Designated States (unless otherwise indicated, for every kind of regional protection available): ARIPO (BW, CV, GH, GM, KE, LR, LS, MW, MZ, NA, RW, SC, SD, SL, ST, SZ, TZ, UG, ZM, ZW), Eurasian (AM, AZ, BY, KG, KZ, RU, TJ, TM), European (AL, AT, BE, BG, CH, CY, CZ, DE, DK, EE, ES, FI, FR, GB, GR, HR, HU, IE, IS, IT, LT,

(54) Title: ENVIRONMENTALLY FRIENDLY COOLING SYSTEM IMPROVED FOR CARRIER VEHICLES

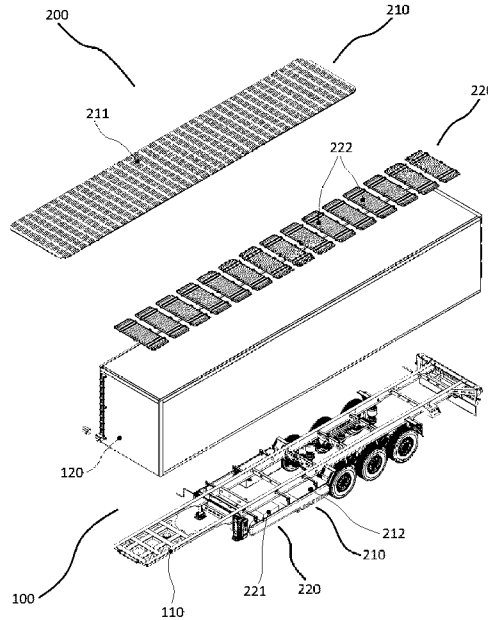
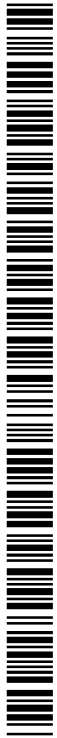


Fig. 1

(57) Abstract: The invention relates to a refrigerated carrier vehicle (100) having a chassis (110) and an insulated case (120) such as trailers/semi-trailers, which are located behind the truck or towed by a towing vehicle, used in the transportation of products which need to be in a cold environment in different sectors such as food, health, chemistry, characterized by an environmentally friendly cooling system (200) developed to ensure that the products transported in the insulated casing (120) of the carrier vehicles (100) remain at the determined temperature value without deterioration and that the transportation processes are carried out.



LU, LV, MC, ME, MK, MT, NL, NO, PL, PT, RO, RS, SE,
SI, SK, SM, TR), OAPI (BF, BJ, CF, CG, CI, CM, GA, GN,
GQ, GW, KM, ML, MR, NE, SN, TD, TG).

Published:

- *with international search report (Art. 21(3))*
- *before the expiration of the time limit for amending the claims and to be republished in the event of receipt of amendments (Rule 48.2(h))*
- *in black and white; the international application as filed contained color or greyscale and is available for download from PATENTSCOPE*

(88) Date of publication of the international search report:

28 December 2023 (28.12.2023)

INTERNATIONAL SEARCH REPORT

International application No.

PCT/TR2023/050440

A. CLASSIFICATION OF SUBJECT MATTER		
B60P 3/20 (2006.01)i; B60H1/32 (2006.01)i		
According to International Patent Classification (IPC) or to both national classification and IPC		
B. FIELDS SEARCHED		
Minimum documentation searched (classification system followed by classification symbols) B60P 3/20; B60H1/32		
Documentation searched other than minimum documentation to the extent that such documents are included in the fields searched		
Electronic data base consulted during the international search (name of data base and, where practicable, search terms used)		
C. DOCUMENTS CONSIDERED TO BE RELEVANT		
Category*	Citation of document, with indication, where appropriate, of the relevant passages	Relevant to claim No.
X	CN 110667461 A (UNIV TIANJIN COMMERCE) 10 January 2020 (2020-01-10) figure 2	1-3
X	KR 20220029079 A (JEON SOON BOK [KR]) 08 March 2022 (2022-03-08) Whole document	1-3
X	WO 2018224706 A1 (MARINA CHARTER LA RAPITA S A [ES]) 13 December 2018 (2018-12-13) Whole document	1-3
X	CN 112977239 A (DAYE CITY GUHUA IND CO LTD) 18 June 2021 (2021-06-18) Whole document	1-3
X	CN 107696946 A (XIE BIN) 16 February 2018 (2018-02-16) Whole document	1-3
<input type="checkbox"/> Further documents are listed in the continuation of Box C. <input type="checkbox"/> See patent family annex.		
* Special categories of cited documents: “A” document defining the general state of the art which is not considered to be of particular relevance “D” document cited by the applicant in the international application “E” earlier application or patent but published on or after the international filing date “L” document which may throw doubts on priority claim(s) or which is cited to establish the publication date of another citation or other special reason (as specified) “O” document referring to an oral disclosure, use, exhibition or other means “P” document published prior to the international filing date but later than the priority date claimed “T” later document published after the international filing date or priority date and not in conflict with the application but cited to understand the principle or theory underlying the invention “X” document of particular relevance; the claimed invention cannot be considered novel or cannot be considered to involve an inventive step when the document is taken alone “Y” document of particular relevance; the claimed invention cannot be considered to involve an inventive step when the document is combined with one or more other such documents, such combination being obvious to a person skilled in the art “&” document member of the same patent family		
Date of the actual completion of the international search 27 November 2023		Date of mailing of the international search report 27 November 2023
Name and mailing address of the ISA/TR Turkish Patent and Trademark Office (Turkpatent) Hipodrom Caddesi No. 13 06560 Yenimahalle Ankara Türkiye Telephone No. +903123031000 Facsimile No. +903123031220		Authorized officer Veysel Murat ÖNAL Telephone No. +903123031627