



US 20190381248A1

(19) **United States**

(12) **Patent Application Publication**

Erbstein et al.

(10) **Pub. No.: US 2019/0381248 A1**

(43) **Pub. Date: Dec. 19, 2019**

(54) **DATA COLLECTION DEVICE FOR ATTACHMENT TO AN INJECTION DEVICE**

Publication Classification

(71) Applicant: **Sanofi-Aventis Deutschland GmbH**, Frankfurt am Main (DE)

(51) **Int. Cl.**
A61M 5/315 (2006.01)

(72) Inventors: **Frank Erbstein**, Frankfurt am Main (DE); **Paul Richard Draper**, Worcestershire (GB); **Robert Frederick Veasey**, Warwickshire (GB); **David Aubrey Plumpton**, Worcestershire (GB); **Joseph Butler**, Warwickshire (GB)

(52) **U.S. Cl.**
CPC *A61M 5/3155* (2013.01); *A61M 5/31568* (2013.01); *A61M 2205/3306* (2013.01); *A61M 2005/3126* (2013.01); *A61M 2205/502* (2013.01); *A61M 2205/52* (2013.01); *A61M 2205/3317* (2013.01)

(21) Appl. No.: **16/555,772**

(57) **ABSTRACT**

(22) Filed: **Aug. 29, 2019**

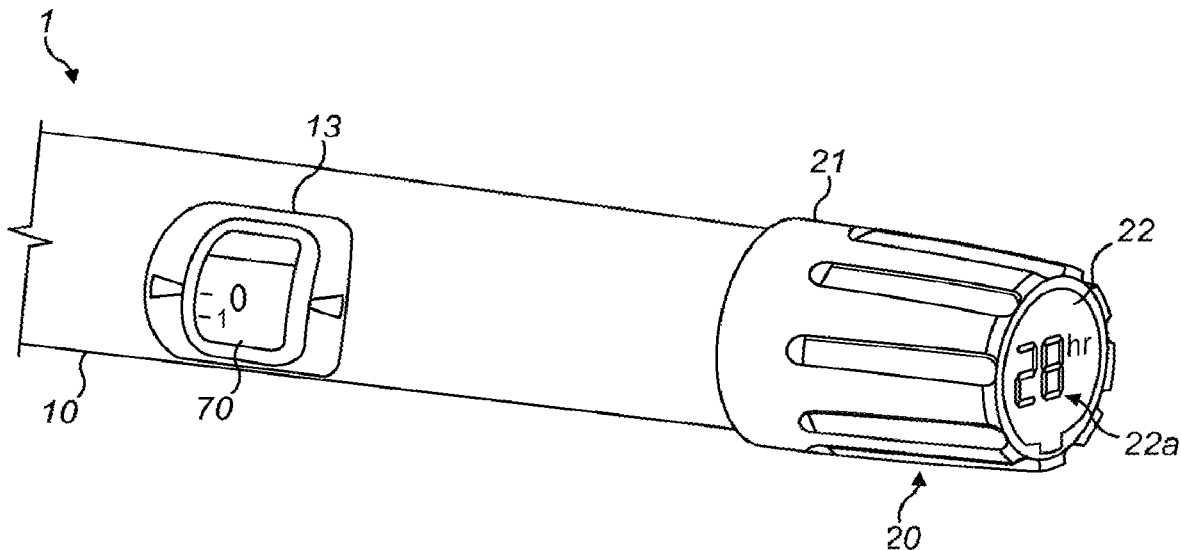
A data collection device for attachment to an injection device, such as an injector pen, includes a sensor arrangement to detect movement of a movable component of the injection device relative to the data collection device during delivery of a medicament by the injection device, and a processor arrangement configured to, based on said detected movement, determine a medicament dosage administered by the injection device. The processor arrangement may monitor the time that has elapsed since the medicament dosage was administered, and control a display to show the medicament dosage and elapsed time to provide a memory aid to the user. In an example embodiment, the sensor arrangement includes an optical encoder and the movable component includes a plurality of light barrier formations. The movable component may be a number sleeve that provides a visual indication of a dose programmed into the injection device.

Related U.S. Application Data

(63) Continuation of application No. 15/551,971, filed on Aug. 18, 2017, now Pat. No. 10,420,895, filed as application No. PCT/EP2016/052987 on Feb. 12, 2016.

Foreign Application Priority Data

Feb. 19, 2015 (EP) 15155758.4



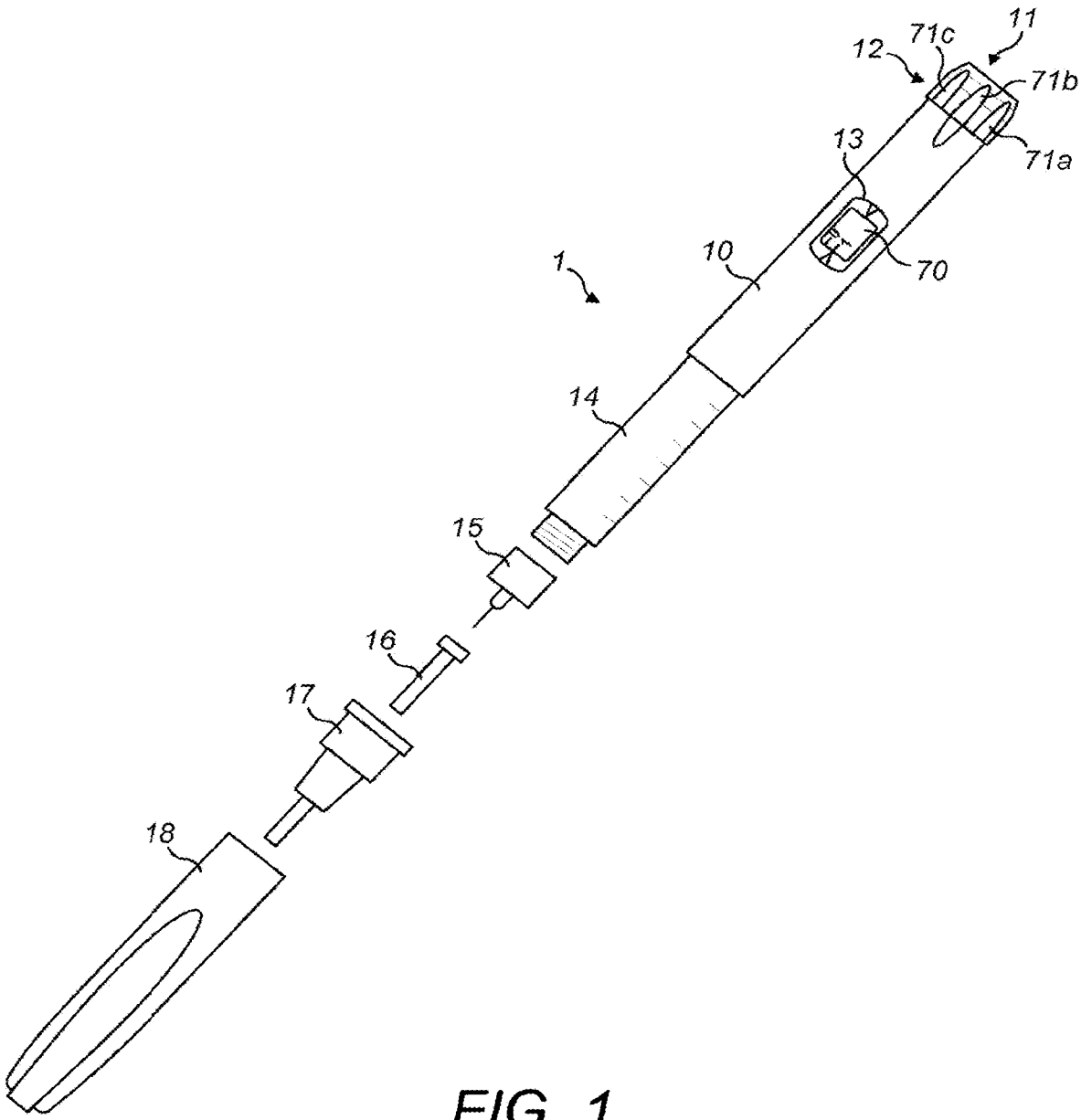
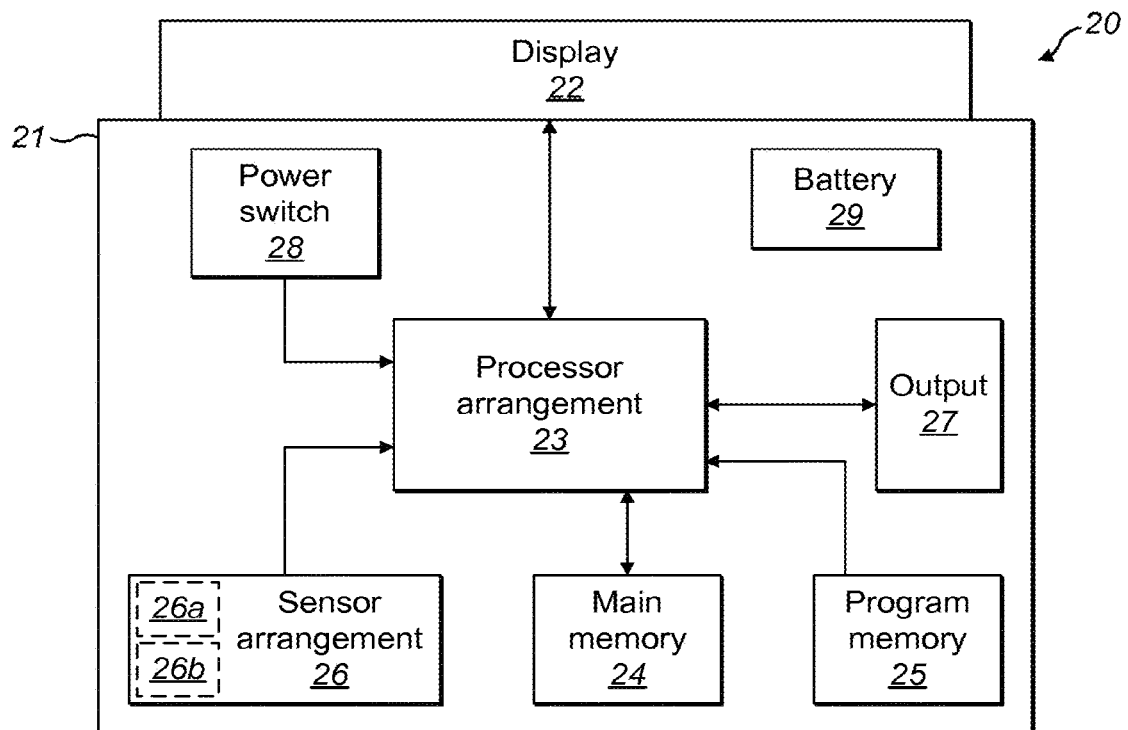
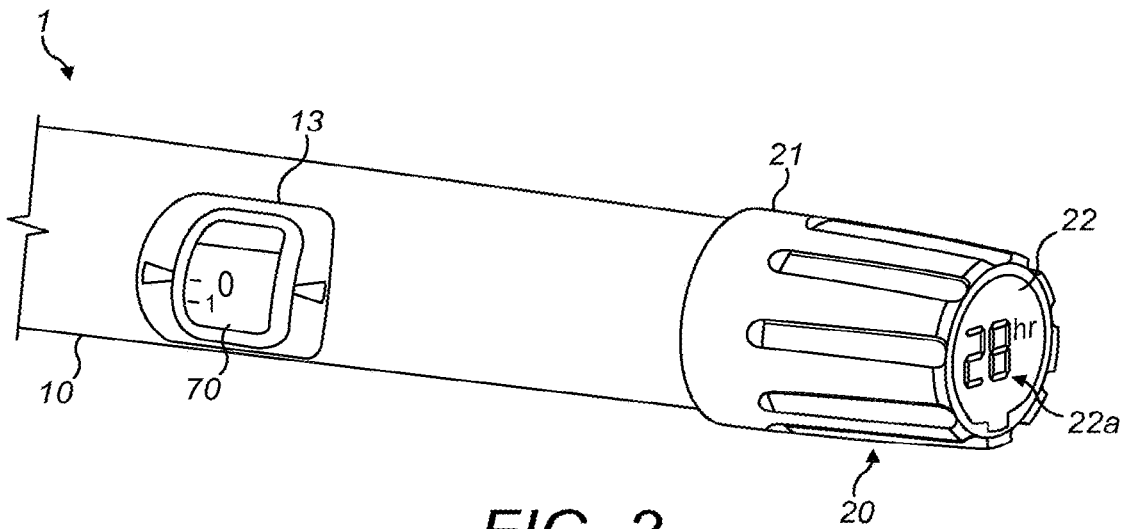


FIG. 1



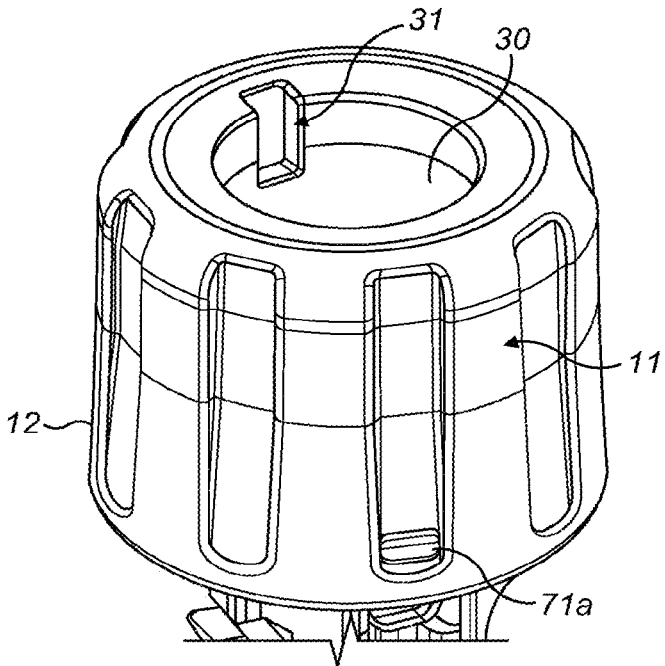


FIG. 4

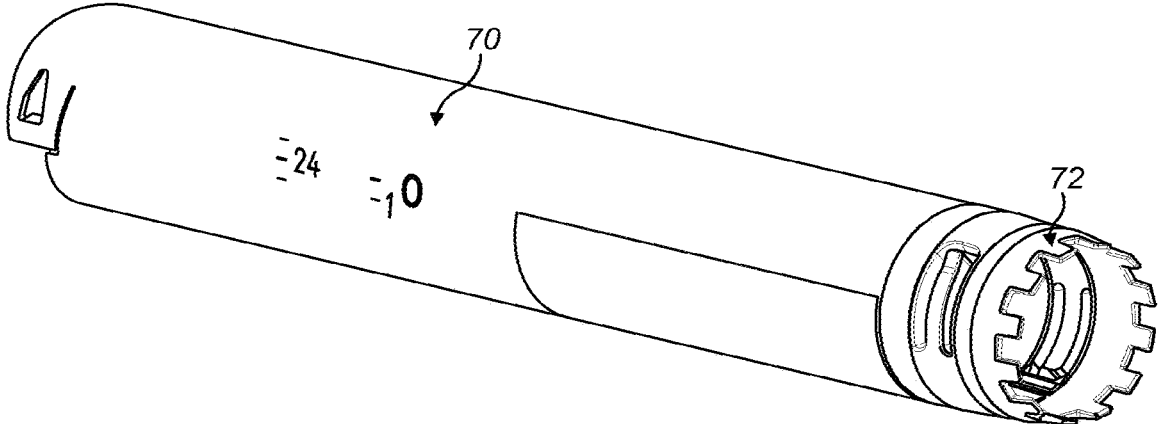


FIG. 5

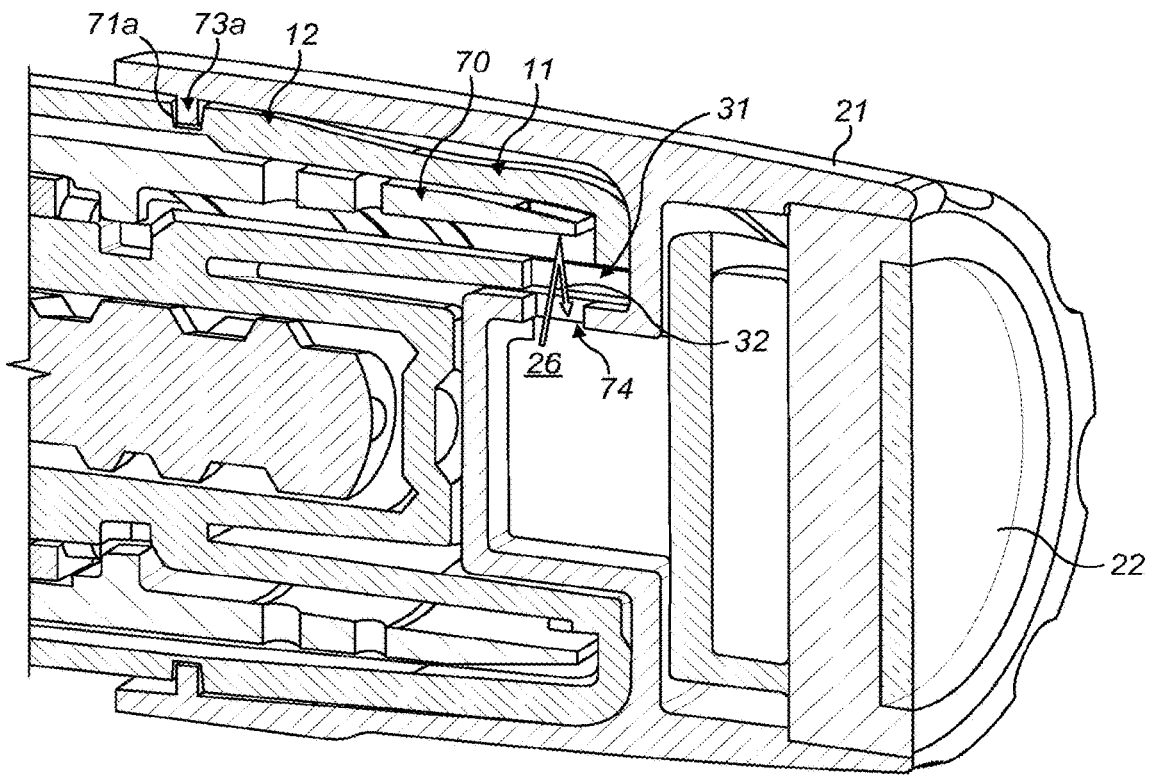


FIG. 6

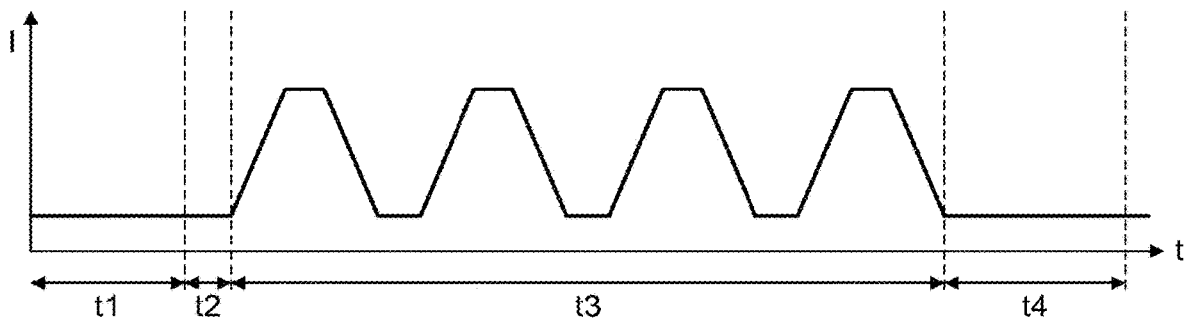


FIG. 7

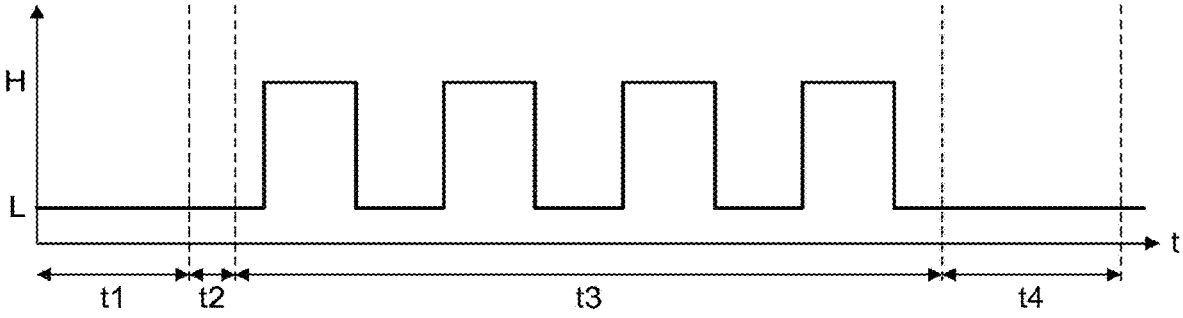


FIG. 8

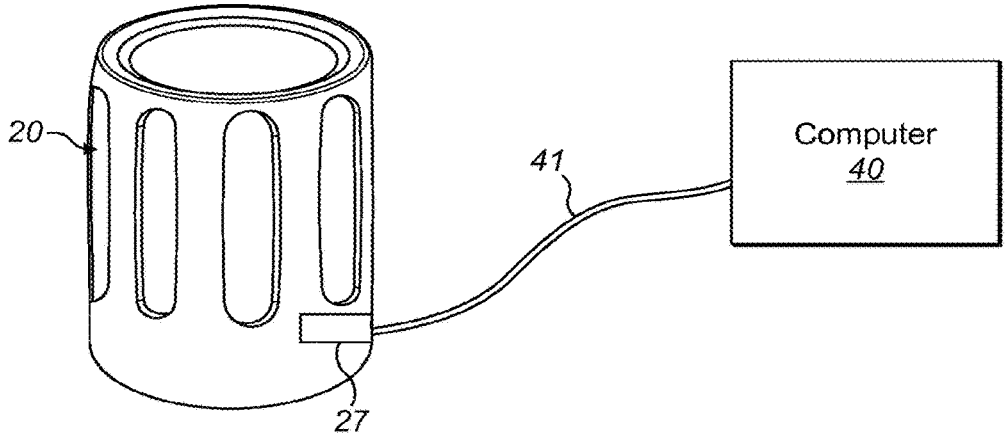


FIG. 9

DATA COLLECTION DEVICE FOR ATTACHMENT TO AN INJECTION DEVICE

CROSS REFERENCE TO RELATED APPLICATIONS

[0001] The present application is a continuation of U.S. patent application Ser. No. 15/551,971, filed Aug. 18, 2017, which is the national stage entry of International Patent Application No. PCT/EP2016/052987, filed on Feb. 12, 2016, and claims priority to Application No. EP 15155758.4, filed in on Feb. 19, 2015, the disclosures of which are expressly incorporated herein in entirety by reference thereto.

TECHNICAL FIELD

[0002] The present disclosure relates to a data collection device for attachment to an injection device and collecting medicament dosage information therefrom.

BACKGROUND

[0003] A variety of diseases exists that require regular treatment by injection of a medicament. Such injection can be performed by using injection devices, which are applied either by medical personnel or by patients themselves. As an example, type-1 and type-2 diabetes can be treated by patients themselves by injection of insulin doses, for example once or several times per day. For instance, a pre-filled disposable insulin pen can be used as an injection device. Alternatively, a re-usable pen may be used. A re-usable pen allows replacement of an empty medicament cartridge by a new one. Either pen may come with a set of one-way needles that are replaced before each use. The insulin dose to be injected can then for instance be manually selected at the insulin pen by turning a dosage knob and observing the actual dose from a dose window or display of the insulin pen. The dose is then injected by inserting the needle into a suited skin portion and pressing an injection button of the insulin pen. To be able to monitor insulin injection, for instance to prevent false handling of the insulin pen or to keep track of the doses already applied, it is desirable to measure information related to a condition and/or use of the injection device, such as for instance information on the injected insulin dose.

SUMMARY

[0004] According to one aspect, a data collection device includes a mating arrangement configured for attachment to an injection device, a sensor arrangement configured to detect movement of a movable dosage programming component of the injection device relative to the data collection device during delivery of a medicament, and a processor arrangement configured to, based on said detected movement, determine a medicament dosage administered by the injection device.

[0005] In this manner, the data collection device can collect medicament dosage information without relying on additional actions being made by a user and may improve the reliability of the recordal and logging of medicament administrations. In addition, the display of a previous dosage may act as a memory aid to the user when programming a subsequent dosage into the injector pen.

[0006] The sensor arrangement may include one or more of an optical sensor, a magnetic sensor, a capacitive sensor

and a mechanical sensor. For example, the sensor arrangement may include an optical encoder unit. The processor arrangement may be configured to monitor a time period elapsed since a pulse was output by the optical encoder and to determine said medicament dosage if said time period exceeds a predetermined threshold. This may allow the end point of an injection stroke to be reliably identified. Alternatively, or additionally, the sensor arrangement may include mechanical switches and/or tracks for detecting the relative movement.

[0007] The processor arrangement may be configured to obtain time stamp information for the detected administration of the medicament dosage and to store the determined medicament dosage and said time stamp information, for example, to provide a log of administered injections. In this case, the data collection device may, optionally, include an output interface to allow the stored medicament dosage and time stamp information to be transmitted to an external device, such as a computer, through a communications link. The output interface may be configured for communications with the external device via a wired or wireless link.

[0008] Additionally, or alternatively, the processor arrangement may be configured to monitor an elapsed time after the detected administration, and to control a display to show the determined medicament dose and the elapsed time. By displaying such information, the data collection device may provide a further memory aid to the user.

[0009] In any of the above described arrangements according to this aspect, the data collection device may be attachable to a dosage programming component of the injection device, which is movable by a user to program a medicament dosage to be administered, so that the data collection device moves with the dosage programming component. In such an embodiment, the data collection device may be configured to allow the user to program the medicament dosage into the injector pen by gripping and moving the data collection device, instead of gripping and moving the dosage programming component. To facilitate such programming, the data collection device may be configured to provide a larger contact surface for the user's grip, when compared with the dosage programming component, or may include other formations that may allow a user to program the medicament dosage more easily. This may be particularly useful in instances where the user has limited dexterity.

[0010] In some embodiments, the data collection device is releasably attachable to the injection device. In other embodiments, the data collection device is permanently attachable to the injection device.

[0011] This aspect also provides a medicament administration apparatus comprising said data collection device and an injection device. An example of such a medicament administration apparatus may include an injection device comprising a movable dosage programming component, wherein the movable dosage programming component is configured to move as a medicament dosage is programmed into the injection device and a data collection device comprising an optical sensor, wherein the movable dosage programming component includes a plurality of light barriers.

[0012] The medicament administration apparatus may be configured so that the movable dosage programming component does not move relative to the data collection device during programming of a dose into the injection device. Such an arrangement may limit the relative movement to the

period during delivery of a medicament so that it is not necessary for the processor arrangement to determine whether a dosage programmed into the injection device is increasing, e.g. during dosage programming, or decreasing, e.g. during dosage programming or during medicament delivery. In an embodiment where it is not necessary to discriminate between increasing and decreasing dosage levels, multiple sensors are not required. Hence, the sensor arrangement may be configured with a single sensor. This can provide a relatively simple apparatus and reduced data processing requirements when compared with sensor arrangements having multiple sensors.

[0013] The injection device and the data collection device may include formations that co-operate to attach the data collection device to the injection device. In some embodiments, one of a projection and a recess may be provided on the injection device and the other of the projection and the recess provided in the mating arrangement data collection device, for example, to provide a clip attachment or a snap-fit attachment.

[0014] In some embodiments, the injection device is a disposable injection device and the data collection device is configured to be releasably attachable to the injection device. In other embodiments, the injection device is a reusable injection device and the data collection device is permanently attached to the injection pen.

[0015] The injection device may be an injector pen.

BRIEF DESCRIPTION OF THE FIGURES

[0016] Example embodiments of the disclosure will now be described with reference to the accompanying figures, of which:

[0017] FIG. 1 shows an exploded view of an injection device for use with a data collection device according to an embodiment of the disclosure;

[0018] FIG. 2 depicts a data collection device according to an embodiment, attached to the injection device of FIG. 1;

[0019] FIG. 3 is a block diagram of the data collection device shown in FIG. 2;

[0020] FIG. 4 is a perspective view of a portion of the injection device of FIG. 1;

[0021] FIG. 5 is a perspective view of a movable dosage programming component of the injection device of FIG. 1;

[0022] FIG. 6 is a cross-sectional view of portions of the data collection device of FIG. 3 and the injection device of FIG. 1 when attached together;

[0023] FIG. 7 is a graph showing an intensity of light received by a sensor arrangement in the data collection device of FIG. 3;

[0024] FIG. 8 is a graph showing an output of the sensor arrangement based on the received light intensities shown in FIG. 7; and

[0025] FIG. 9 depicts a system in which data from the data collection device of FIG. 3 is transmitted to another device.

DETAILED DESCRIPTION

[0026] In the following, embodiments of the present disclosure will be described with reference to an insulin injection device. The present disclosure is however not limited to such application and may equally well be deployed with injection devices that eject other medicaments.

[0027] FIG. 1 is an exploded view of a medicament delivery device. In this example, the medicament delivery device is an injection device 1, such as Sanofi's SoloSTAR® insulin injection pen.

[0028] The injection device 1 of FIG. 1 is a pre-filled, disposable injection pen that includes a housing 10 and contains an insulin container 14, to which a needle 15 can be affixed. The needle is protected by an inner needle cap 16 and either an outer needle cap 17 or cap 18. An insulin dose to be ejected from injection device 1 can be programmed, or 'dialed in' by turning a dosage knob 12, and a currently programmed dose is then displayed via dosage window 13, for instance in multiples of units. For example, where the injection device 1 is configured to administer human insulin, the dosage may be displayed in so-called International Units (IU), wherein one IU is the biological equivalent of about 45.5 micrograms of pure crystalline insulin ($\frac{1}{22}$ mg). Other units may be employed in injection devices for delivering analogue insulin or other medicaments. It should be noted that the selected dose may equally well be displayed differently than as shown in the dosage window 13 in FIG. 1.

[0029] The dosage window 13 may be in the form of an aperture in the housing 10, which permits a user to view a limited portion of a number sleeve 70 that is configured to move when the dosage knob 12 is turned, to provide a visual indication of a currently programmed dose. The dosage knob 12 is rotated on a helical path with respect to the housing 10 when turned during programming.

[0030] In this example, the dosage knob 12 includes one or more formations 71a, 71b, 71c to facilitate attachment of a data collection device to be described herein below.

[0031] The injection device 1 may be configured so that turning the dosage knob 12 causes a mechanical click sound to provide acoustical feedback to a user. The number sleeve 70 mechanically interacts with a piston in insulin container 14. When needle 15 is stuck into a skin portion of a patient, and then injection button 11 is pushed, the insulin dose displayed in display window 13 will be ejected from injection device 1. When the needle 15 of injection device 1 remains for a certain time in the skin portion after the injection button 11 is pushed, a high percentage of the dose is actually injected into the patient's body. Ejection of the insulin dose may also cause a mechanical click sound, which is however different from the sounds produced when using dosage knob 12.

[0032] In this embodiment, during delivery of the insulin dose, the dosage knob 12 is turned to its initial position in an axial movement, that is to say without rotation, while the number sleeve 70 is rotated to return to its initial position, e.g. to display a dose of zero units.

[0033] Injection device 1 may be used for several injection processes until either the insulin container 14 is empty or the expiration date of the medicament in the injection device 1 (e.g. 28 days after the first use) is reached.

[0034] Furthermore, before using injection device 1 for the first time, it may be necessary to perform a so-called "prime shot" to remove air from insulin container 14 and needle 15, for instance by selecting two units of insulin and pressing injection button 11 while holding injection device 1 with the needle 15 upwards. For simplicity of presentation, in the following, it will be assumed that the ejected amounts substantially correspond to the injected doses, so that, for instance the amount of medicament ejected from the injec-

tion device 1 is equal to the dose received by the user. Nevertheless, differences (e.g. losses) between the ejected amounts and the injected doses may need to be taken into account.

[0035] FIG. 2 is a perspective view of one end of the injection device 1 when a data collection device 20 according to an example embodiment is attached. The data collection device 20 includes a housing 21 and a display 22 for presenting dosage information 22a.

[0036] As shown in FIG. 3, the data collection device 20 also includes a processor arrangement 23 including one or more processors, such as a microprocessor, a Digital Signal Processor (DSP), Application Specific Integrated Circuit (ASIC), Field Programmable Gate Array (FPGA) or the like, together with memory units 24, 25, including program memory 24 and main memory 25, which can store software for execution by the processor arrangement 23.

[0037] A sensor arrangement 26, comprising one or more sensors, is provided. In this particular example, the sensor arrangement 26 is an optical encoder, including a light source 26a, such as a light emitting diode (LED) and a light detector 26b, such as an optical transducer.

[0038] An output 27 is provided, which may be a wireless communications interface for communicating with another device via a wireless network such as wi-fi or Bluetooth®, or an interface for a wired communications link, such as a socket for receiving a Universal Serial Bus (USB), mini-USB or micro-USB connector.

[0039] A power switch 28 is provided, together with a battery 29. In one example, the power switch 28 is configured to respond to pressure applied to the display 22 by powering the data collection device 20 on or off.

[0040] FIG. 4 shows the injection button 11 and dosage knob 12 of the injection device 1 in more detail. In this particular embodiment, the injection button 11 includes a cavity 30 on its upper surface, configured to receive at least a portion of the data collection device 20. In this example, a sidewall of the cavity 30 includes an aperture 31, through which a portion of the number sleeve 70 may be viewable.

[0041] FIG. 5 depicts the number sleeve 70. In this particular embodiment, castellations 72 are moulded onto one end of the number sleeve 70. One end of the number sleeve 70 is provided with castellations 72 that may act as light barriers for light emitted by the light source 26a.

[0042] In the particular example shown in FIG. 5, twelve castellations 72 are provided. The twelve castellations and the gaps between them have widths selected to provide 24 “edges”, to correspond to dose increments up to a maximum dose 24 units shown on the number sleeve 70. The castellations 72 are formed using a material that has a reflectivity that differs from that of an inner surface of the injection button 11.

[0043] The number sleeve 70 is arranged to rotate helically along one direction as a dose is programmed into the injection device 1 using the dosage knob 12 and also to rotate helically in an opposite direction during delivery of a medicament dose by the injection device 1.

[0044] FIG. 6 is a cross-sectional view of part of the data collection device 20 and the injection device 1.

[0045] As shown in FIG. 6, the dosage knob 12 and the housing 21 of the data collection device 20 include co-operating formations 71a, 73a. In this particular embodiment, these formations are in the form of a projection 73a provided in the housing 21 of the data collection device 20

and a detent 71a provided in the dosage knob 12. As shown in FIG. 1, the formations 71a, 71b, 71c have only a limited extent, so that the data collection device 20 cannot rotate relative to the dosage knob 12 when attached.

[0046] Since the data collection device 20 and dosage knob 12 cannot rotate relative to one another, they move in concert as a dosage is programmed into the injection device 1. This may allow provision of a more ergonomic arrangement, since the data collection device 20 may provide a larger surface that can be gripped and rotated by the user during dosage programming. Alternatively, the data collection device 20 may be provided with formations on its outer surface to facilitate rotation of the data collection device 20 and, therefore, the dosage knob 12.

[0047] In arrangements where the data collection device 20 is to be releasably attachable to the injection device 1, the co-operating formations 71a, 73a may provide a clip-type arrangement that allows for easy removal of the data collection device 20. Such an arrangement may be useful where the data collection device 20 is to be used with disposable injection devices 1, since it allows the data collection device 20 to be removed from an injection device 1 and reused, or to allow a user with greater flexibility by being about to attach and remove the data collection device 20 at will.

[0048] Alternatively, the co-operating formations 71a, 73a may be configured to attach the data collection device 20 to the injection device 1 permanently, for example, using a “snap-fit”. In other embodiments, the data collection device 20 may be permanently attached in other ways, for example, through bonding. Such permanent attachments may be useful where the injection device 1 is reusable.

[0049] The number and/or positions of the co-operating formations 71a, 73a may be configured so that the data collection device 20 can only be attached to the injection device 1 in one particular position. In this particular example, the housing 21 of the data collection device 20 includes an aperture 74 through which light emitted by the light source 26a and light detected by the light detector 26b can pass when the data collection device 20 is in position. The co-operating formations 71a, 73a may be arranged so that, when the data collection device 20 is attached to the injection device 1, the aperture 74 in the housing 21 of the data collection device 20 is aligned with the aperture 31 in the sidewall of the cavity 30 in the injection button 11, as shown in FIG. 6.

[0050] As shown by the arrow 75 in FIG. 6, light emitted by the light source 26a thus passes through the apertures 74, 31 and into the injection button 11. If a castellation 72 of the number sleeve 70 is viewable through the aperture 31, then the light will be reflected from the castellation 72, and back through the apertures 31, 74, where it can be detected by the light detector 26b. Since the reflectivity of the castellations 72 differs from that of the inner surface of the injection button 11, the amount of light detected by the light detector 26b will depend on how much of a castellation 72 can be viewed through the aperture 31. In certain embodiments, the sensor arrangement 26 may be arranged to emit and/or detect only light with particular polarisation characteristics, in order to mitigate effects of stray light entering the aperture 74.

[0051] FIG. 7 is a graph showing changes in the intensity of light received by the light detector 26b during programming and delivery of a medicament dose, while FIG. 8 is a

graph showing an output that may be generated by the sensor arrangement 26 of this embodiment.

[0052] As noted above, while a dose is being programmed into the injection device 1, during time period t1 in FIGS. 7 and 8, the dosage knob 12 and the number sleeve 70 rotate helically. In this particular embodiment, since the data collection device 20 moves in concert with the dosage knob 12, the amount of light reflected back towards the light detector 26b should remain substantially constant, since there is little or no relative rotational movement between the number sleeve 70 and the data collection device 20. The amount of reflected light should also remain substantially constant between the completion of dosage programming and the start of the injection, shown as time period t2 in FIG. 7, since the number sleeve 70, dosage knob 12 and data collection device 20 are not being moved by a user.

[0053] The output of the sensor arrangement 26, shown in FIG. 8, is therefore substantially constant during time periods t1 and t2. The actual level of the output during time periods t1 and t2 will depend on whether a castellation 72 is viewable through the aperture 31 and, if so, how much of the aperture is covered by the castellation 72.

[0054] During the delivery of the medicament, shown as time period t3 in FIGS. 7 and 8, the number sleeve 70 rotates helically but the dosage knob 12 moves only axially, without rotating. Hence, the number sleeve 70 is rotating relative to the data collection device 20.

[0055] During time period t3, the castellations 72 of the number sleeve 70 will move across the aperture 31 as the number sleeve 31 rotates relative to the dosage knob 12 and data collection device 20, and the intensity of light received by the light detector 26b will vary accordingly, as shown in FIG. 7. In this particular example, the number sleeve 70 is more reflective than the inner surface of the injection button 11, and so the highest intensity levels shown in FIG. 7 correspond to positions where the amount by which the castellation 72 covers the aperture 31 is at its greatest.

[0056] The output of the light detector 26b during time period t3 will switch between a high and a low level, based on the received light intensity, as shown in FIG. 8. Since the edges of the castellations 72 correspond to increments in the medicament dosage, the processor arrangement 23 can determine an amount of medication delivered by the injection device based on the number of transitions between the high level and the low level in the output of the sensor arrangement 26.

[0057] The length of time period t3 will depend on the administered dosage and also on when the medicament delivery is deemed to be complete. When the medicament delivery is complete, the number sleeve 70 will cease to rotate relative to the dosage knob 12 and the data collection device 20, and the signal from the sensor arrangement 26 will stay at a substantially constant level.

[0058] In some embodiments, the processor arrangement 23 is arranged to monitor the time period that has elapsed from the last transition or the last pulse in the output of the sensor arrangement 24. When the elapsed time period reaches a predetermined threshold t4, the medicament delivery is considered to have been completed and the processor arrangement 23 proceeds with determining the medicament dose delivered to the user, based on the number of detected transitions in the output of the sensor arrangement during time period t3. In the particular example shown in FIGS. 7 and 8, there are eight transitions. Since the transitions

correspond to the edges of the castellations which, in turn, correspond to the dosage increments in this particular embodiment, the determined medicament dose is 8 units.

[0059] The processor arrangement 23 then stores the determined medicament dose in main memory 24. The processor arrangement 23 may also store time stamp information, to provide a log recording delivery of medicament to the user.

[0060] The processor arrangement 23 may then power down the data collection device 20, in order to conserve battery power.

[0061] When the data collection device 20 is powered on again, by a user activating the power switch 28, the processor arrangement 23 may control the display to show the determined medicament dose information 22a, to aid the memory of the user. Optionally, the processor arrangement 23 may monitor an elapsed time since the determined medicament dose was delivered and control the display to show that elapsed time information too. For example, the processor arrangement 23 may cause the display 22 to switch periodically between displaying the determined medicament dosage information 22a and the elapsed time.

[0062] The processor arrangement 23 may also transmit the determined medicament dosage and, where determined, the time stamp information to another device, such as a computer 40, as shown in FIG. 9. As noted above, the output 27 may be configured to transmit the information using a wireless communications link. Alternatively, the data collection device 20 may be connected to the computer 40 using a wired connection 41 to allow the information to be uploaded to the computer 40. The processor arrangement 23 may be configured to transmit the information to the computer 40 periodically.

[0063] The specific embodiments described in detail above are intended merely as examples of how the present disclosure may be implemented. Many variations in the configuration of the data collection device 20 and/or the injection device 1 may be conceived.

[0064] For example, it is not necessary that the formations provided on the number sleeve are in the form of castellations, nor is it necessary for the widths of the castellations and the gaps between them to correspond precisely to individual dosage increments, as in the above embodiment.

[0065] While the above described embodiment utilises an optical sensing arrangement 26, other types of sensors may be used as well as, or instead of, optical sensors. For example, the sensing arrangement may include a magnetic sensor, such as a Hall effect sensor. In such an example, one or more magnets may be mounted on the number sleeve, so that rotation of the number sleeve relative to the data collection device results in a varying magnetic field. In another example, a capacitive sensor may be used, where elements provided on the number sleeve may affect the capacitance between two plates provided in the data collection device. In other examples, mechanical sensors, with mechanical switches and/or tracks, may be used to detect the relative movement.

[0066] While the embodiment shown in FIG. 3 includes only one sensor, other embodiments may be devised in which the sensor arrangement includes multiple sensors of one or more types.

[0067] In the above described embodiments, the injection button 11 included a central cavity 30 for receiving at least part of the data collection device 20. In other embodiments,

the central cavity may be omitted from the injection button if the data collection device **20** does not require one.

[0068] While the arrangement shown in FIG. **6** included co-operating formations in the form of a detent **71a** in the dosage knob **12** and a projection **73a** in the housing **21** of the data collection device **20**, other types of co-operating formations or attachment methods may be used.

[0069] While the embodiments above have been described in relation to collecting data from an insulin injector pen, it is noted that embodiments of the disclosure may be used for other purposes, such as monitoring of injections of other medicaments.

What is claimed is:

1. A data collection device comprising:
 - a mating element configured for attachment to a dosage knob of an injection device;
 - a sensor configured to detect movement of a movable dosage programming component of the injection device relative to the data collection device during delivery of a medicament; and
 - a processor configured to, based on the detected movement, determine a medicament dosage administered by the injection device,
 wherein the mating element comprises a first formation configured to co-operate with a corresponding second formation on the dosage knob such that co-operation between the first formation and the second formation prevents rotation of the data collection device relative to the dosage knob.
2. The data collection device according to claim 1, wherein the first formation comprises a projection or a detent and the second formation comprises a projection or detent.
3. The data collection device according to claim 1, wherein the data collection device is configured for attachment to an outside of the dosage knob.
4. The data collection device according to claim 1, wherein the first formation is provided in a housing of the data collection device.
5. The data collection device according to claim 1, wherein the first formation and second formation are arranged such that the data collection device can only be attached to the injection device in one particular position.
6. The data collection device according to claim 1, wherein the sensor comprises one or more of an optical sensor, a magnetic sensor, a capacitive sensor and a mechanical sensor.
7. The data collection device according to claim 2, wherein the sensor comprises an optical encoder.
8. The data collection device according to claim 1, wherein the processor is configured to monitor a time period since a pulse or transition is received from the sensor and to determine the medicament dosage if the time period exceeds a predetermined threshold.
9. The data collection device according to claim 1, wherein the processor is configured to obtain time stamp information for the administration of the medicament dosage and to store the determined medicament dosage and the time stamp information.

10. The data collection device according to claim **5**, wherein the processor is configured to transmit a log of determined medicament dosages and time stamp information to another device.

11. The data collection device according to claim **1**, wherein the processor is configured to monitor an elapsed time after the detected administration, and to control a display to show the determined medicament dosage and the elapsed time.

12. A medicament administration apparatus comprising: an injection device comprising a movable component, wherein the movable component is configured to move as a medicament dosage is programmed into the injection device; and a data collection device comprising

- a mating element configured for attachment to a dosage knob of the injection device,
 - a sensor configured to detect movement of the movable component of the injection device relative to the data collection device during delivery of the medicament, and
 - a processor configured to, based on the detected movement, determine the medicament dosage administered by the injection device,
- wherein the mating element comprises a first formation configured to co-operate with a corresponding second formation on the dosage knob such that co-operation between the first formation and the second formation prevents rotation of the data collection device relative to the dosage knob.

13. A medicament administration apparatus according to claim **12**, wherein the data collection device is configured for attachment to an outside of the dosage knob.

14. A medicament administration apparatus according to claim **12**, wherein the first formation and second formation are arranged such that the data collection device can only be attached to the injection device in one particular position.

15. A medicament administration apparatus according to claim **12**, wherein the movable dosage programming component comprises a plurality of light barriers.

16. A medicament administration apparatus according to claim **12**, wherein the movable dosage programming component is fixed relative to the data collection device during programming of a dose into the injection device.

17. A medicament administration apparatus according to claim **12**, wherein the movable component comprises a number sleeve that is configured to provide a visual indication of a programmed dose.

18. A medicament administration apparatus according to claim **12**, wherein the injection device comprises a disposable injection device and the data collection device is configured to be releasably attached to the injection device.

19. A medicament administration apparatus according to claim **12**, wherein the injection device comprises a reusable injection device and the data collection device is configured to be permanently attached to the injection device.

20. A medicament administration apparatus according to claim **12**, wherein the injection device comprises an injector pen.

* * * * *