



US0D1024307S

(12) **United States Design Patent**
Hanadi

(10) **Patent No.:** **US D1,024,307 S**

(45) **Date of Patent:** **** Apr. 23, 2024**

(54) **AIR FRESHENER**

Primary Examiner — Gino Colan

Assistant Examiner — David Obrien

(71) Applicant: **Imex Marketing Co., Inc.**, Fullerton,
CA (US)

(74) *Attorney, Agent, or Firm* — Buckert Patent &
Trademark Law Firm PC; John F. Buckert

(72) Inventor: **Peter Hanadi**, Fullerton, CA (US)

(73) Assignee: **Imex Marketing Co., Inc.**, Fullerton,
CA (US)

(57) **CLAIM**

(**) Term: **15 Years**

The ornamental design for an air freshener, as shown and
described.

(21) Appl. No.: **29/861,157**

(22) Filed: **Nov. 28, 2022**

(51) **LOC (14) Cl.** **23-04**

(52) **U.S. Cl.**

USPC **D23/368**

(58) **Field of Classification Search**

USPC D14/188, 204, 228, 348, 358; D24/110,
D24/129, 162, 209, 210, 217; D23/324,
D23/325, 332–336, 341, 351–370, 393;
D26/26, 49, 51, 110; D28/91.1;
D12/415, 420; D11/131.1, 143–154;
D10/53

CPC ... A61L 9/00; A61L 9/03; A61L 9/032; A61L
9/035; A61L 9/04; A61L 9/05; A61L
9/12; A61L 9/14; A61L 9/20; A61L 9/22;
A61L 9/012; A61L 9/015; A61L 9/048;
A61L 9/122; A61L 9/127; A61L 9/205;
A61L 2209/11; A61L 2209/14; A61L
2209/133; A61L 2209/134; F24F 1/02;
F24F 1/0007; F24F 1/0067; F24F 1/0071;
F24F 1/008; F24F 1/0083; F24F 1/0087;
F24F 1/0328;

(Continued)

(56) **References Cited**

U.S. PATENT DOCUMENTS

D361,374 S * 8/1995 Muller D23/364
D374,855 S * 10/1996 Lazzeroni D12/415

(Continued)

DESCRIPTION

FIG. 1 is an isometric view of an air freshener showing my
new design;

FIG. 2 is another isometric view of the air freshener of FIG.
1;

FIG. 3 is a first side view of the air freshener of FIG. 1;

FIG. 4 is a second side view of the air freshener of FIG. 1;

FIG. 5 is a first end view of the air freshener of FIG. 1;

FIG. 6 is a second end view of the air freshener of FIG. 1;

FIG. 7 is a front view of the air freshener of FIG. 1;

FIG. 8 is a rear view of the air freshener of FIG. 1;

FIG. 9 is an isometric view of another air freshener showing
my new design;

FIG. 10 is another isometric view of the air freshener of FIG.
9;

FIG. 11 is a first side view of the air freshener of FIG. 9;

FIG. 12 is a second side view of the air freshener of FIG. 9;

FIG. 13 is a first end view of the air freshener of FIG. 9;

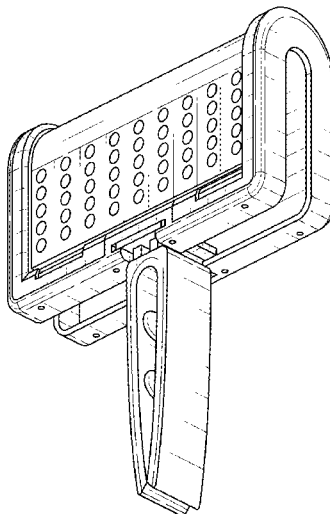
FIG. 14 is a second end view of the air freshener of FIG. 9;

FIG. 15 is a front view of the air freshener of FIG. 9; and,

FIG. 16 is a rear view of the air freshener of FIG. 9.

The broken lines depict portions of the air freshener that
form no part of the claimed design. In addition, the surface
shading illustrated in the figures is provided merely to
highlight the contour of design and is not intended to be
illustrative of texture or gloss.

1 Claim, 8 Drawing Sheets



(58) **Field of Classification Search**

CPC F24F 1/0355; F24F 1/0358; F24F 5/00;
F24F 6/00; F24F 6/02; F24F 6/12; F24F
7/003; F24F 8/00; F24F 8/10; F24F 8/20;
F24F 8/30; F24F 8/40; F24F 8/50; F24F
8/183; F24F 13/082; F24F 13/084; F24F
13/085; Y10S 261/03; Y10S 261/04;
Y10S 261/17; Y10S 261/31; Y10S
261/42; Y10S 261/43; Y10S 261/65;
Y10S 261/88; Y10S 261/89; A61G 17/00;
A61G 17/08; E04H 13/006; E04H 13/008

See application file for complete search history.

(56) **References Cited**

U.S. PATENT DOCUMENTS

D440,219 S *	4/2001	Dysart	D14/188
D496,476 S *	9/2004	Garrity	D26/26
D587,265 S *	2/2009	Maiers	D14/480.6
D600,693 S *	9/2009	Maiers	D14/480.6
D788,901 S *	6/2017	Warberg Block	D23/368
D956,942 S *	7/2022	Santiago	D23/368
2016/0051717 A1*	2/2016	Esses	A61L 9/03 454/337

* cited by examiner

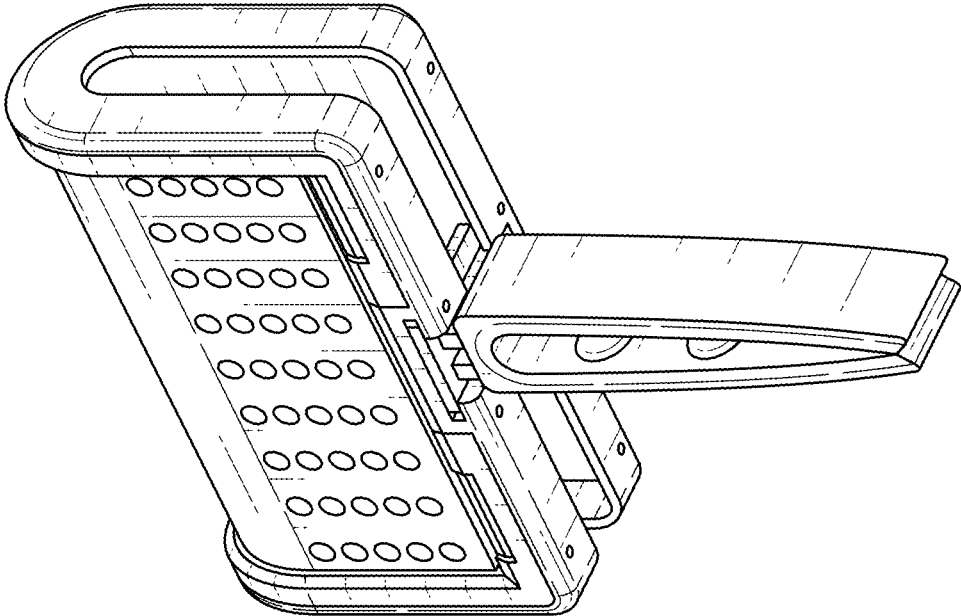


FIG. 2

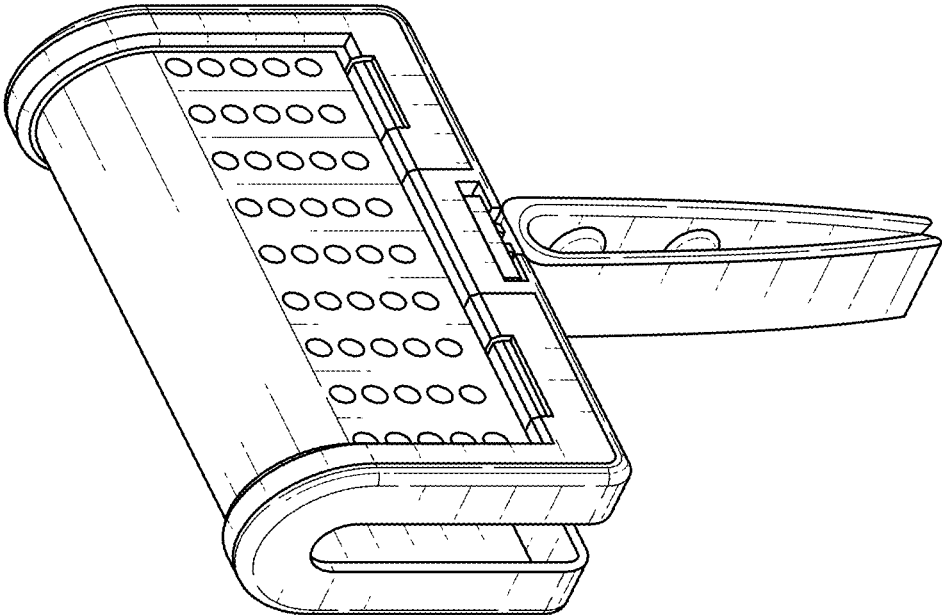


FIG. 1

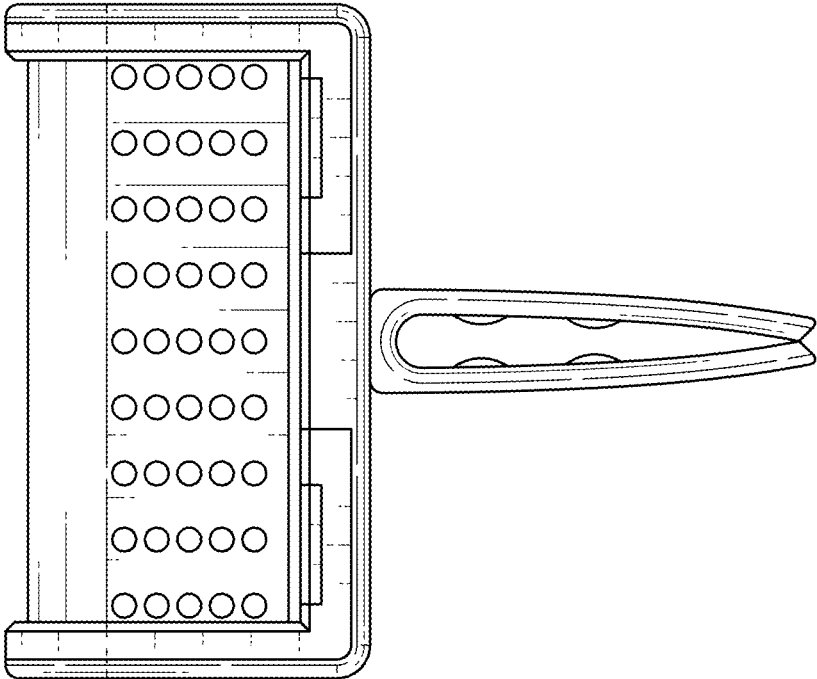


FIG. 4

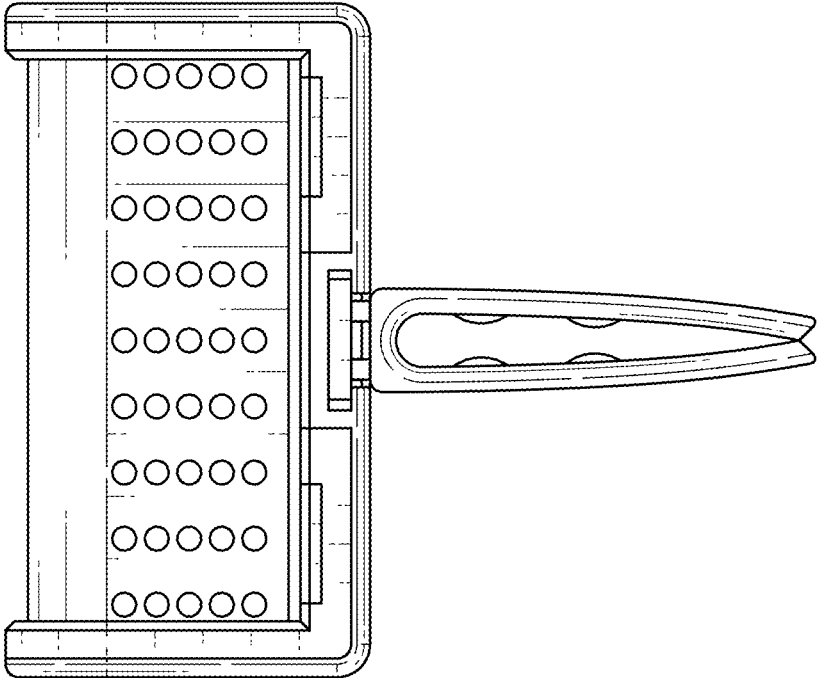


FIG. 3

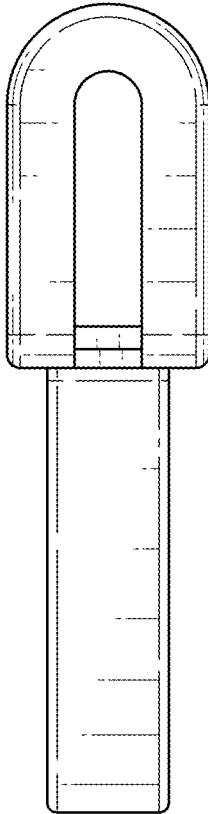


FIG. 5

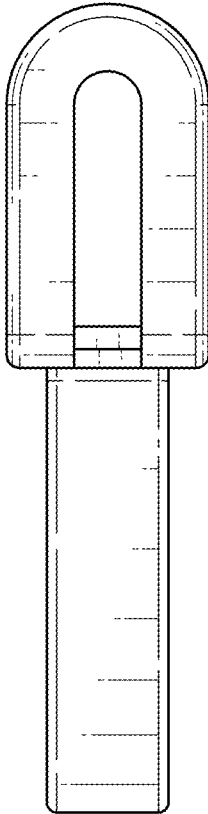


FIG. 6

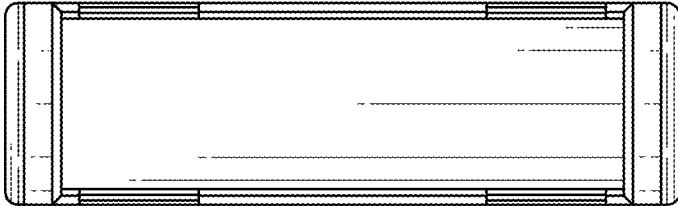


FIG. 7

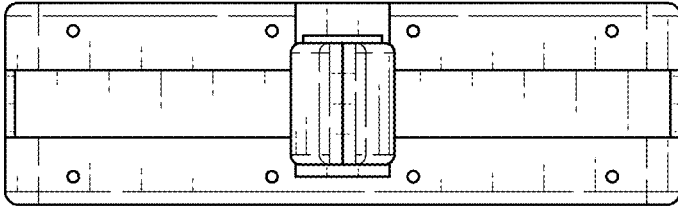


FIG. 8

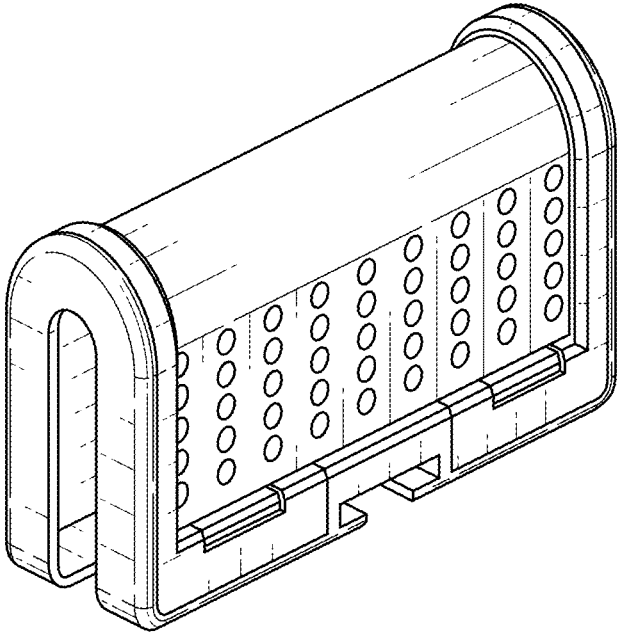


FIG. 9

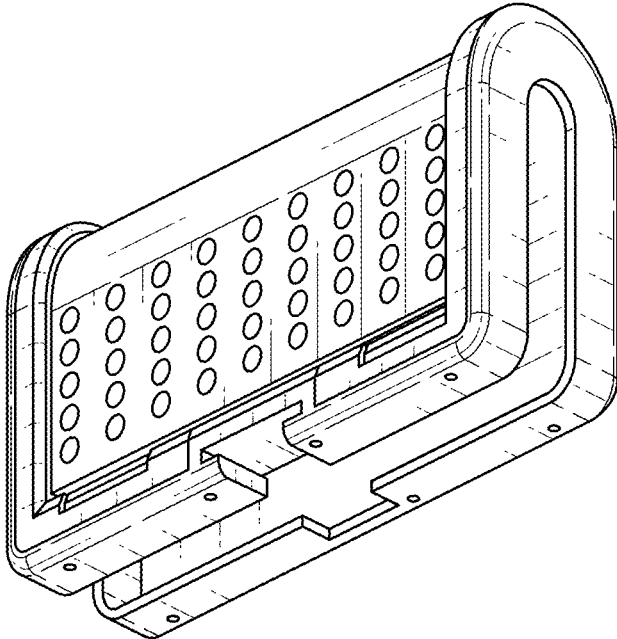


FIG. 10

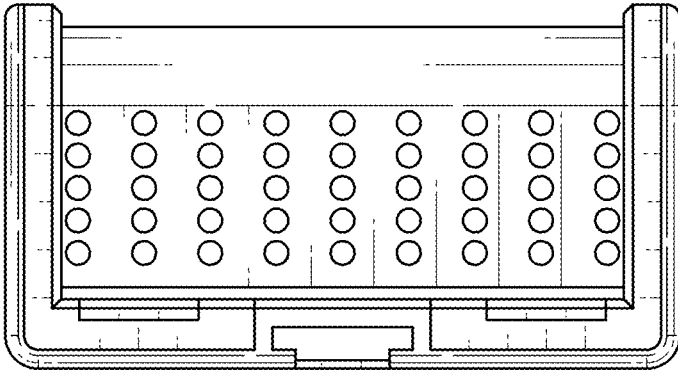


FIG. 11

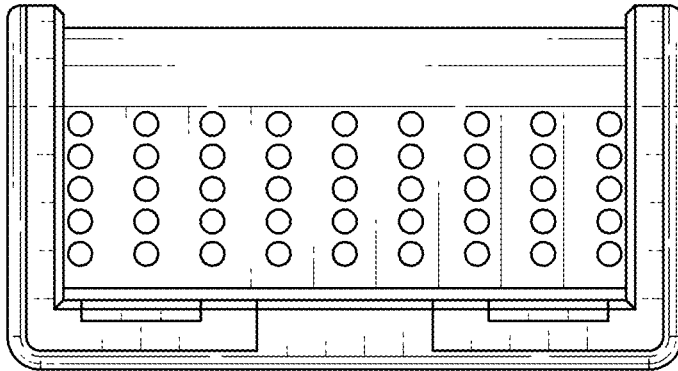


FIG. 12

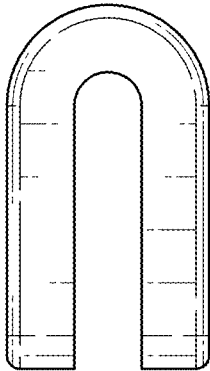


FIG. 13

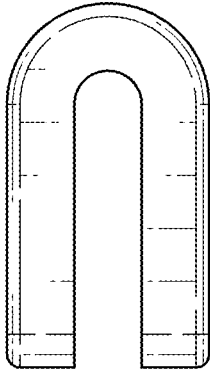


FIG. 14

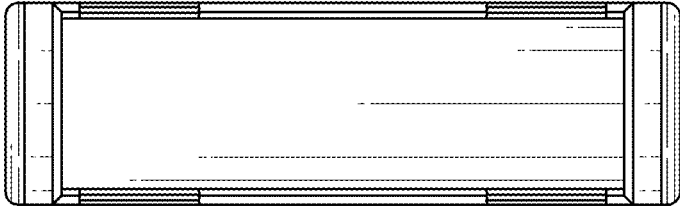


FIG. 15

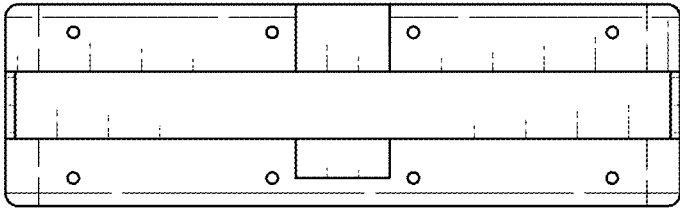


FIG. 16