



Europäisches Patentamt
European Patent Office
Office européen des brevets



(11)

EP 1 193 172 A3

(12)

EUROPEAN PATENT APPLICATION

(88) Date of publication A3:
02.01.2003 Bulletin 2003/01

(51) Int Cl.7: **B63C 9/22**

(43) Date of publication A2:
03.04.2002 Bulletin 2002/14

(21) Application number: **01123097.6**

(22) Date of filing: **27.09.2001**

(84) Designated Contracting States:
**AT BE CH CY DE DK ES FI FR GB GR IE IT LI LU
MC NL PT SE TR**
Designated Extension States:
AL LT LV MK RO SI

(72) Inventor: **Nissen, Richardt Brodersen
6710 Esbjerg (DK)**

(74) Representative: **Blichfeldt, Mogens Erhardt et al
Patrade A/S,
Fredens Torv 3A
8000 Arhus C (DK)**

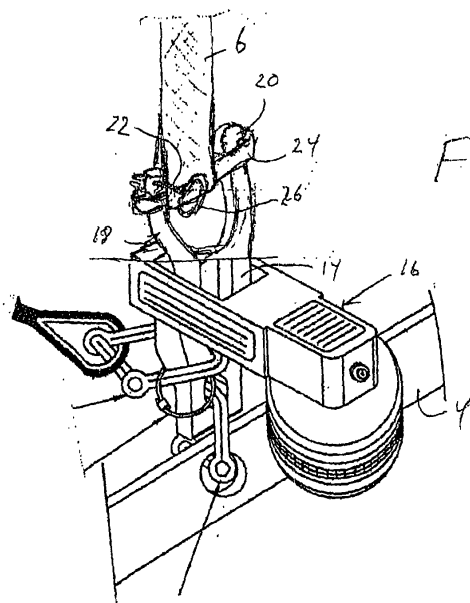
(30) Priority: **28.09.2000 DK 200001430**

(71) Applicant: **Thanner Development A/S
6701 Esbjerg (DK)**

(54) **A release mechanism for releasing nautical life-saving equipment**

(57) Containers for inflatable lifeboats on board ships are in general kept in place on a support stand by means of a strap which by means of a "release hook" is fastened to a retaining eye within the stand. Said release hook is shaped comprising a locking member which can be released by means of manually squeezing the hook whereafter this can be released through flipping-away from the retaining eye. This system is difficult to operate. Through the invention, it is depicted that the system is substituted with a bracelike fork member (18) on the part

being connected with the support stand (4), and which bracelike member functions to a releasable retaining of an anchoring member which is let through a terminating eyelet, or loop, of the strap, and which is releasable from the retaining position of it through pull-out of a locking-pin (22) which is inserted through a transverse hole provided in one of the ends of the fork branches. Advantageously, the fork body being connected to the support stand (4) can be provided as an integrated releasable part of a hydrostatic functioning release device.



EP 1 193 172 A3



European Patent Office

EUROPEAN SEARCH REPORT

Application Number
EP 01 12 3097

DOCUMENTS CONSIDERED TO BE RELEVANT			
Category	Citation of document with indication, where appropriate, of relevant passages	Relevant to claim	CLASSIFICATION OF THE APPLICATION (Int.Cl.7)
X	GB 2 085 812 A (LEWIS PETER) 6 May 1982 (1982-05-06) * page 1, line 94 - line 115; figure 1 *	1,2	B63C9/22
X	GB 872 611 A (GEORGE ALFRED ADAMS;KENNETH MCCOY SCOTT; HORSTMAN LTD; LEONARD MEREDIT) 12 July 1961 (1961-07-12) * page 1, line 69 - page 2, line 52; figures 1,4 *	1,2	
X	GB 520 122 A (THOMAS BUTLER;CHARLES HENRY FRISWELL) 15 April 1940 (1940-04-15) * page 2, line 27 - line 109; figures 1,2 *	1	
X	GB 1 300 114 A (LELAND) 20 December 1972 (1972-12-20) * page 3, line 43 - line 72; figures 1-3 *	1,2	
The present search report has been drawn up for all claims			TECHNICAL FIELDS SEARCHED (Int.Cl.7)
			B63C
Place of search	Date of completion of the search	Examiner	
THE HAGUE	6 November 2002	DE SENA HERNAND... , A	
CATEGORY OF CITED DOCUMENTS		T : theory or principle underlying the invention E : earlier patent document, but published on, or after the filing date D : document cited in the application L : document cited for other reasons & : member of the same patent family, corresponding document	
X : particularly relevant if taken alone Y : particularly relevant if combined with another document of the same category A : technological background O : non-written disclosure P : intermediate document			

EPC FORM 1503 03 82 (P/94201)

**ANNEX TO THE EUROPEAN SEARCH REPORT
ON EUROPEAN PATENT APPLICATION NO.**

EP 01 12 3097

This annex lists the patent family members relating to the patent documents cited in the above-mentioned European search report. The members are as contained in the European Patent Office EDP file on
The European Patent Office is in no way liable for these particulars which are merely given for the purpose of information.

06-11-2002

Patent document cited in search report		Publication date	Patent family member(s)	Publication date
GB 2085812	A	06-05-1982	NONE	
GB 872611	A	12-07-1961	NONE	
GB 520122	A	15-04-1940	NONE	
GB 1300114	A	20-12-1972	NONE	

EPO FORM P0459

For more details about this annex : see Official Journal of the European Patent Office, No. 12/82