



INTERNATIONAL APPLICATION PUBLISHED UNDER THE PATENT COOPERATION TREATY (PCT)

<p>(51) International Patent Classification ⁷ : B65D 77/28</p>	<p>A1</p>	<p>(11) International Publication Number: WO 00/32495</p> <p>(43) International Publication Date: 8 June 2000 (08.06.00)</p>
<p>(21) International Application Number: PCT/GB99/03919</p> <p>(22) International Filing Date: 26 November 1999 (26.11.99)</p> <p>(30) Priority Data: 9826006.0 28 November 1998 (28.11.98) GB</p> <p>(71) Applicant (for all designated States except US): D'AGUIAR MARKETING & DESIGN LTD [GB/GB]; The Old Customs House, Torwood Gardens Road, Torquay, Devon TQ1 1EG (GB).</p> <p>(72) Inventors; and (75) Inventors/Applicants (for US only): D'AGUIAR, Jeffrey, Paul [ZA/GB]; 2 Teign Court, Stokeinteignhead, Newton Abbot, Devon TQ12 4QB (GB). D'AGUIAR, Heather, Margaret [ZA/GB]; 2 Teign Court, Stokeinteignhead, Newton Abbot, Devon TQ12 4QB (GB).</p> <p>(74) Agent: DEALTRY, Brian; Eric Potter Clarkson, Park View House, 58 The Ropewalk, Nottingham NG1 5DD (GB).</p>		<p>(81) Designated States: AE, AL, AM, AT, AU, AZ, BA, BB, BG, BR, BY, CA, CH, CN, CR, CU, CZ, DE, DK, DM, EE, ES, FI, GB, GD, GE, GH, GM, HR, HU, ID, IL, IN, IS, JP, KE, KG, KP, KR, KZ, LC, LK, LR, LS, LT, LU, LV, MA, MD, MG, MK, MN, MW, MX, NO, NZ, PL, PT, RO, RU, SD, SE, SG, SI, SK, SL, TJ, TM, TR, TT, TZ, UA, UG, US, UZ, VN, YU, ZA, ZW, ARIPO patent (GH, GM, KE, LS, MW, SD, SL, SZ, TZ, UG, ZW), Eurasian patent (AM, AZ, BY, KG, KZ, MD, RU, TJ, TM), European patent (AT, BE, CH, CY, DE, DK, ES, FI, FR, GB, GR, IE, IT, LU, MC, NL, PT, SE), OAPI patent (BF, BJ, CF, CG, CI, CM, GA, GN, GW, ML, MR, NE, SN, TD, TG).</p> <p>Published <i>With international search report.</i></p>
<p>(54) Title: DRINKS CONTAINER</p>		
<p>(57) Abstract</p>		
<p>A drinks container is moulded in one piece and includes a hollow container body (11) with an integrally moulded drinking tube (20) parallel to the body. The body (11) may be in the form of a cartoon, or other character and is filled from the bottom (12). The drinking tube is flexible and is closed by a twist-off closure (22), integrally moulded with the tube.</p>		

FOR THE PURPOSES OF INFORMATION ONLY

Codes used to identify States party to the PCT on the front pages of pamphlets publishing international applications under the PCT.

AL	Albania	ES	Spain	LS	Lesotho	SI	Slovenia
AM	Armenia	FI	Finland	LT	Lithuania	SK	Slovakia
AT	Austria	FR	France	LU	Luxembourg	SN	Senegal
AU	Australia	GA	Gabon	LV	Latvia	SZ	Swaziland
AZ	Azerbaijan	GB	United Kingdom	MC	Monaco	TD	Chad
BA	Bosnia and Herzegovina	GE	Georgia	MD	Republic of Moldova	TG	Togo
BB	Barbados	GH	Ghana	MG	Madagascar	TJ	Tajikistan
BE	Belgium	GN	Guinea	MK	The former Yugoslav Republic of Macedonia	TM	Turkmenistan
BF	Burkina Faso	GR	Greece			TR	Turkey
BG	Bulgaria	HU	Hungary	ML	Mali	TT	Trinidad and Tobago
BJ	Benin	IE	Ireland	MN	Mongolia	UA	Ukraine
BR	Brazil	IL	Israel	MR	Mauritania	UG	Uganda
BY	Belarus	IS	Iceland	MW	Malawi	US	United States of America
CA	Canada	IT	Italy	MX	Mexico	UZ	Uzbekistan
CF	Central African Republic	JP	Japan	NE	Niger	VN	Viet Nam
CG	Congo	KE	Kenya	NL	Netherlands	YU	Yugoslavia
CH	Switzerland	KG	Kyrgyzstan	NO	Norway	ZW	Zimbabwe
CI	Côte d'Ivoire	KP	Democratic People's Republic of Korea	NZ	New Zealand		
CM	Cameroon			PL	Poland		
CN	China	KR	Republic of Korea	PT	Portugal		
CU	Cuba	KZ	Kazakstan	RO	Romania		
CZ	Czech Republic	LC	Saint Lucia	RU	Russian Federation		
DE	Germany	LI	Liechtenstein	SD	Sudan		
DK	Denmark	LK	Sri Lanka	SE	Sweden		
EE	Estonia	LR	Liberia	SG	Singapore		

Drinks Container

This invention relates to a drinks container of the type having a drinking tube, or straw, provided to permit drinking directly from the container, for example by a child.

It is well known to provide drinks containers, which have straws attached, so that they can be detached for use. It is also well known to provide drinks containers in the shape of characters, intended to appeal to children.

The present invention provides a drinks container, which may have an attractive shape and which may be easily manufactured and easily opened to permit drinking from a drinking tube, without the need for detaching the tube.

The invention provides a drinks container comprising a hollow body including a base and in the form of a character, the top of the body being permanently closed and the base thereof being provided in its bottom with a closable aperture to permit filling of the body, and a drinking tube extending upwardly from the base and being open to the interior of the body, the tube having a twist-off closure at the top of the tube, the tube, closure and body all forming parts of a one-piece moulding.

25

In this specification, "character" refers to a shape depicting a cartoon, or other such character, or a human-like or animal-like shape.

Reference is now made to the accompanying drawings, wherein:-

Figure 1 is a side elevation of a drinks container according to the invention,

Figure 2 is a bottom plan view of the container,

5 Figure 3 is an enlarged elevation of a closure part of a drinking tube of the container.

Referring to the drawings, the container is a one-piece moulding, which may be a blow-moulding. The container includes a body 11, 10 having a base 12 and a drinking tube 20 having a closure 21, all being parts of the single moulding.

The body 11 is in the shape of an animal character, but has a flat rear face 13. The base 12 extends beyond the rear face and the drinking 15 tube 20 extends upwardly from the base, so as to extend parallel to and adjacent to the rear face 13. The body 11, including the base 12, is hollow and the tube 20 is open to the interior of the base. The bottom of the base 12 (as shown in Fig 2) has a fill aperture 15, the rest of the body, including the top, being closed.

20

The tube 20 terminates adjacent the top of the body 11 in a twist-off closure 21. The tube includes a ribbed section 23. The material of the container is sufficiently flexible for the ribbed section 23 to be flexed, so that the drinking tube can be bent to a comfortable drinking position.

25

The container is filled in its inverted position through the aperture 15 and the aperture is then sealed, for example by adhering a foil (not shown) across the aperture. In use, the closure 21 is opened to permit

drinking from the container. After use, the body may be usable as a mould, by removing the foil seal.

The twist-off closure 21 is of a type known *per se* and is shown in more detail in Fig 3. It comprises a tubular portion 24 closed by a cap 25, with an annular line of weakness 26 between the cap and the tube. The cap 25 and tubular portion 46 are integral with a thin grippable, planar member 27. The member is reinforced by thickened portions 28a,28b. Twisting of the planar member 27 twists off the cap 25 by fracturing the closure at the line of weakness 26 and at unreinforced parts 29 of the planar member.

CLAIMS

1. A drinks container comprising a hollow body including a base and in the form of a character, the top of the body being permanently closed
5 and the base thereof being provided in its bottom with a closable aperture to permit filling of the body, and a drinking tube extending upwardly from the base and being open to the interior of the body, the tube having a twist-off closure at the top of the tube, the tube, closure and body all forming parts of a one-piece moulding.
- 10
2. A drinks container according to Claim 1 which is blow-moulded.
3. A drinks container according to Claim 1 or 2, in which the drinking tube has a flexible portion to permit bending of the tube away from the
15 container.
4. A drinks container according to Claim 1, 2 or 3, wherein the body is elongate between its bottom and top.
- 20
5. A drinks container according to any preceding claim, containing a liquid and having the aperture in the base closed.
6. A drinks container according to Claim 5, wherein the aperture is closed by a foil member sealed to the base.
- 25
7. A drinks container substantially as herein described, with reference to the accompanying drawings.

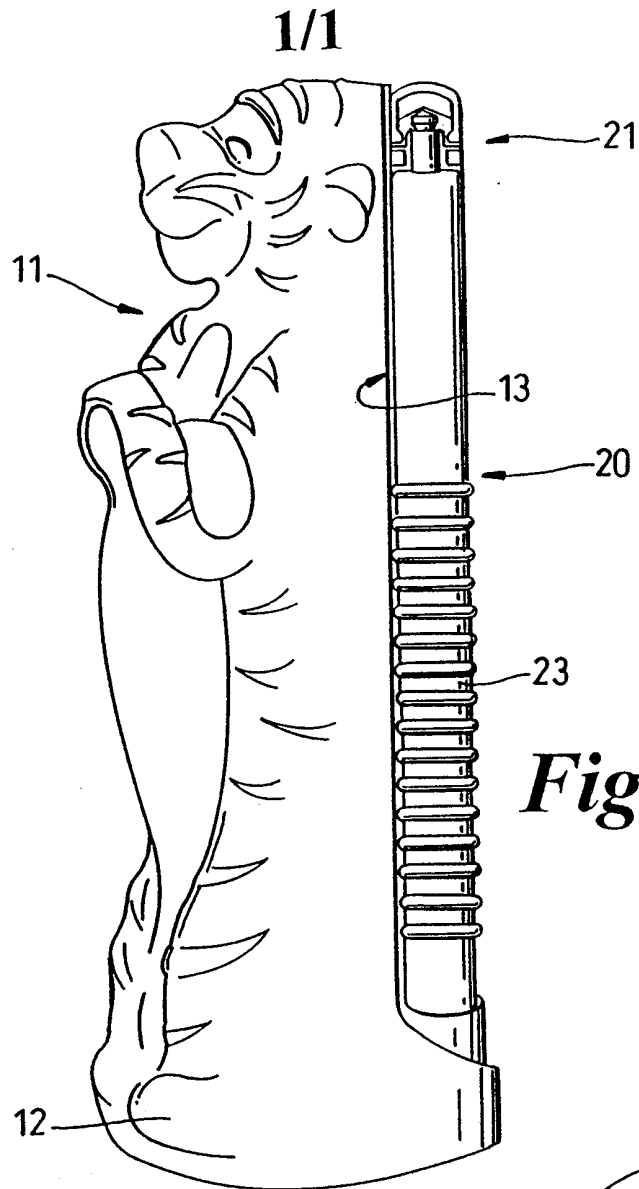


Fig. 1

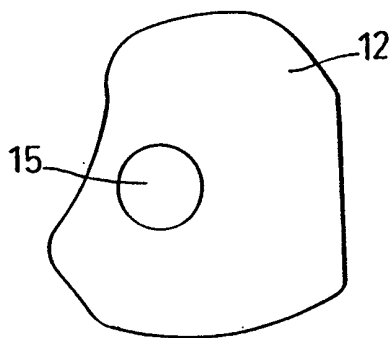


Fig. 2

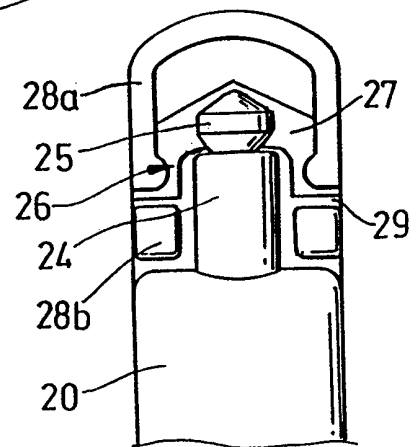


Fig. 3

INTERNATIONAL SEARCH REPORT

International Application No

PCT/GB 99/03919

A. CLASSIFICATION OF SUBJECT MATTER
IPC 7 B65D77/28

According to International Patent Classification (IPC) or to both national classification and IPC

B. FIELDS SEARCHED

Minimum documentation searched (classification system followed by classification symbols)
IPC 7 B65D

Documentation searched other than minimum documentation to the extent that such documents are included in the fields searched

Electronic data base consulted during the international search (name of data base and, where practical, search terms used)

C. DOCUMENTS CONSIDERED TO BE RELEVANT

Category	Citation of document, with indication, where appropriate, of the relevant passages	Relevant to claim No.
X	US 5 078 286 A (HASHIMOTO KENTARO) 7 January 1992 (1992-01-07) column 2, line 13 -column 3, line 7; figures	1-7
X	US 4 982 854 A (ICHIMIYA TUYOSHI) 8 January 1991 (1991-01-08) column 2, line 52 -column 4, line 29; figures	1-7
A	US 5 481 853 A (NASRALLAH MAURICE ET AL) 9 January 1996 (1996-01-09) column 3, line 57 -column 4, line 56; figures 1-4	1
	-/--	

Further documents are listed in the continuation of box C.

Patent family members are listed in annex.

Special categories of cited documents :

- "A" document defining the general state of the art which is not considered to be of particular relevance
- "E" earlier document but published on or after the international filing date
- "L" document which may throw doubts on priority claim(s) or which is cited to establish the publication date of another citation or other special reason (as specified)
- "O" document referring to an oral disclosure, use, exhibition or other means
- "P" document published prior to the international filing date but later than the priority date claimed

- "T" later document published after the international filing date or priority date and not in conflict with the application but cited to understand the principle or theory underlying the invention
- "X" document of particular relevance; the claimed invention cannot be considered novel or cannot be considered to involve an inventive step when the document is taken alone
- "Y" document of particular relevance; the claimed invention cannot be considered to involve an inventive step when the document is combined with one or more other such documents, such combination being obvious to a person skilled in the art.
- "&" document member of the same patent family

Date of the actual completion of the international search

Date of mailing of the international search report

9 February 2000

17/02/2000

Name and mailing address of the ISA

European Patent Office, P.B. 5818 Patentlaan 2
NL - 2280 HV Rijswijk
Tel. (+31-70) 340-2040, Tx. 31 651 epo nl.
Fax: (+31-70) 340-3016

Authorized officer

Olsson, B

INTERNATIONAL SEARCH REPORT

International Application No

PCT/GB 99/03919

C.(Continuation) DOCUMENTS CONSIDERED TO BE RELEVANT		
Category	Citation of document, with indication, where appropriate, of the relevant passages	Relevant to claim No.
A	EP 0 698 564 A (SMITH WILLEM JOHANNES) 28 February 1996 (1996-02-28) column 3, line 1 -column 4, line 33; figures -----	1

INTERNATIONAL SEARCH REPORT

information on patent family members

Inte. onal Application No

PCT/GB 99/03919

Patent document cited in search report	A	Publication date	Patent family member(s)	Publication date
US 5078286	A	07-01-1992	NONE	

US 4982854	A	08-01-1991	NONE	

US 5481853	A	09-01-1996	US 5409124 A	25-04-1995
			BR 9405057 A	17-10-1995
			CA 2136689 A	24-06-1995

EP 0698564	A	28-02-1996	AU 680926 B	14-08-1997
			BR 9403504 A	03-09-1996
			CZ 9402179 A	13-03-1996
			US 5597089 A	28-01-1997
			AU 7287594 A	21-03-1997
			ZA 9402915 A	03-01-1995
