



US 20040254537A1

(19) **United States**

(12) **Patent Application Publication**

Conlon et al.

(10) **Pub. No.: US 2004/0254537 A1**

(43) **Pub. Date: Dec. 16, 2004**

(54) **SUBCUTANEOUS SELF ATTACHING INJECTION PORT WITH INTEGRAL MOVEABLE RETENTION MEMBERS**

(22) Filed: **Dec. 19, 2003**

Related U.S. Application Data

(76) Inventors: **Sean P. Conlon**, Loveland, OH (US); **Richard P. Nuchols**, Loveland, OH (US); **John V. Hunt**, Cincinnati, OH (US); **Randal T. Byrum**, Milford, OH (US); **Dale R. Schulze**, Lebanon, OH (US)

(60) Provisional application No. 60/478,763, filed on Jun. 16, 2003.

Publication Classification

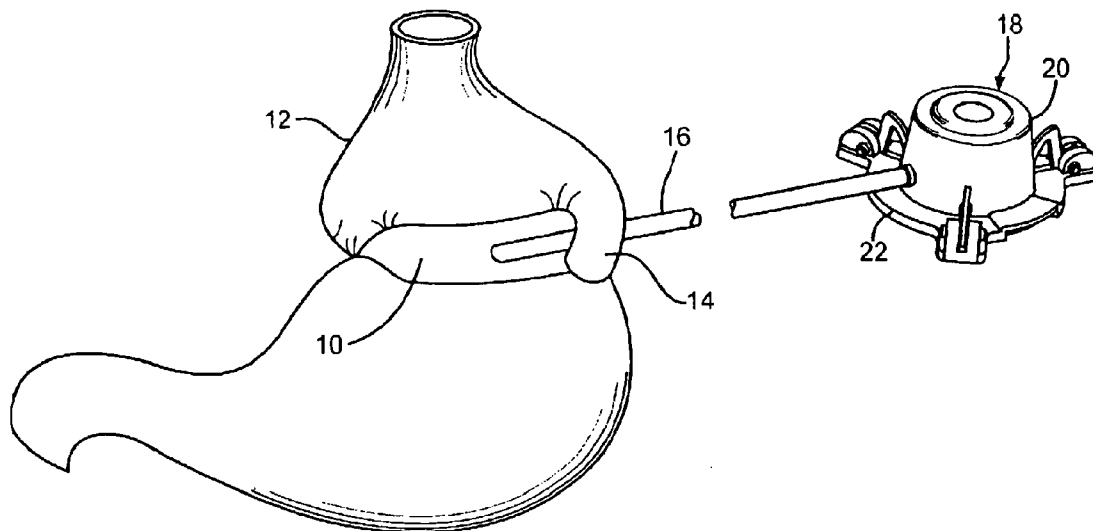
(51) **Int. Cl.⁷** **A61M 5/32**
(52) **U.S. Cl.** **604/175; 604/288.01**

Correspondence Address:
FROST BROWN TODD, LLC
2200 PNC CENTER
201 E. FIFTH STREET
CINCINNATI, OH 45202 (US)

(57) **ABSTRACT**

A self attaching injection port has integral moveable fasteners which are moveable from a undeployed state to a deployed state engaging tissue. The fasteners may be disposed radially or tangentially, and rotated to pierce the fascia. The fasteners may be rigid or elastically deformable.

(21) Appl. No.: **10/741,875**



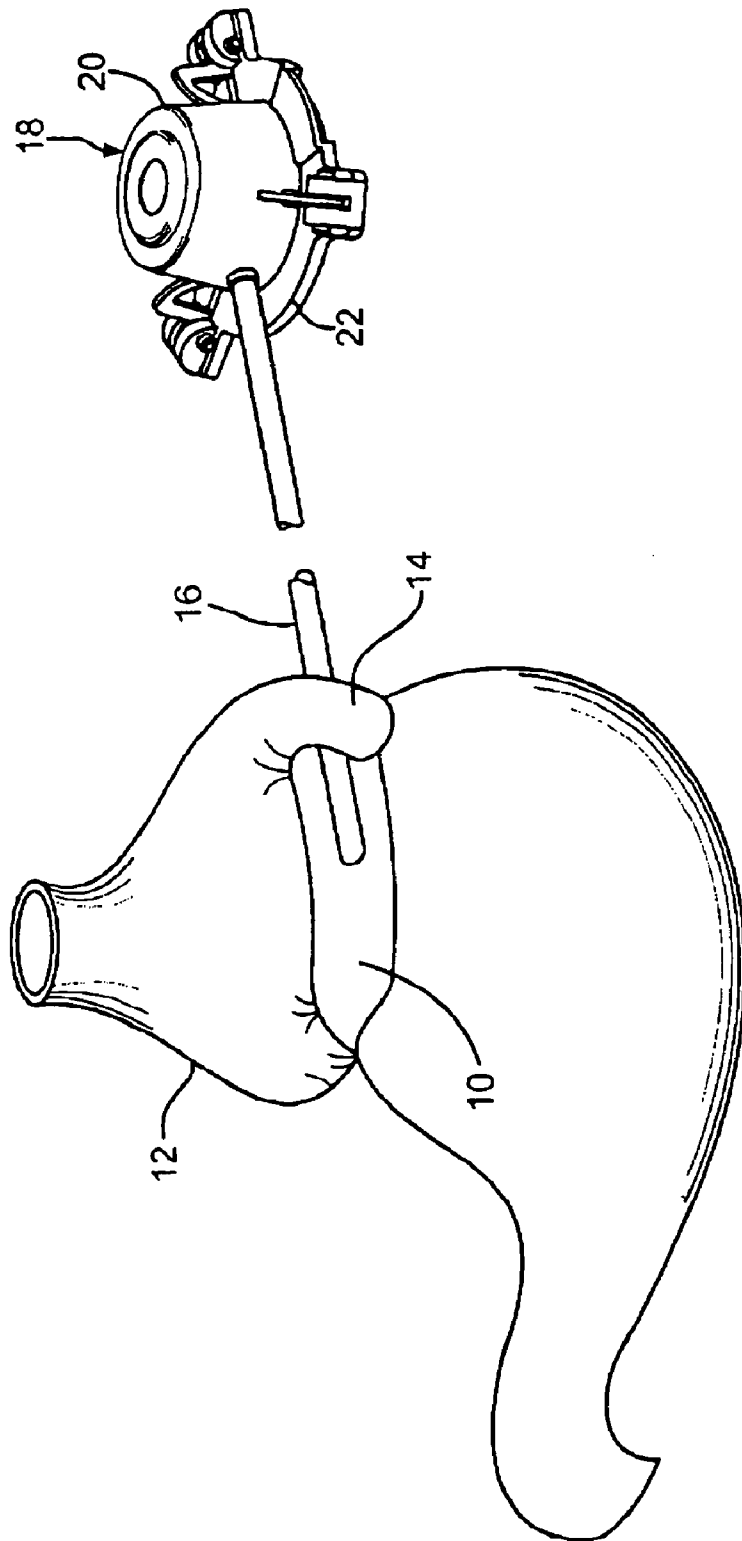


FIG. 1

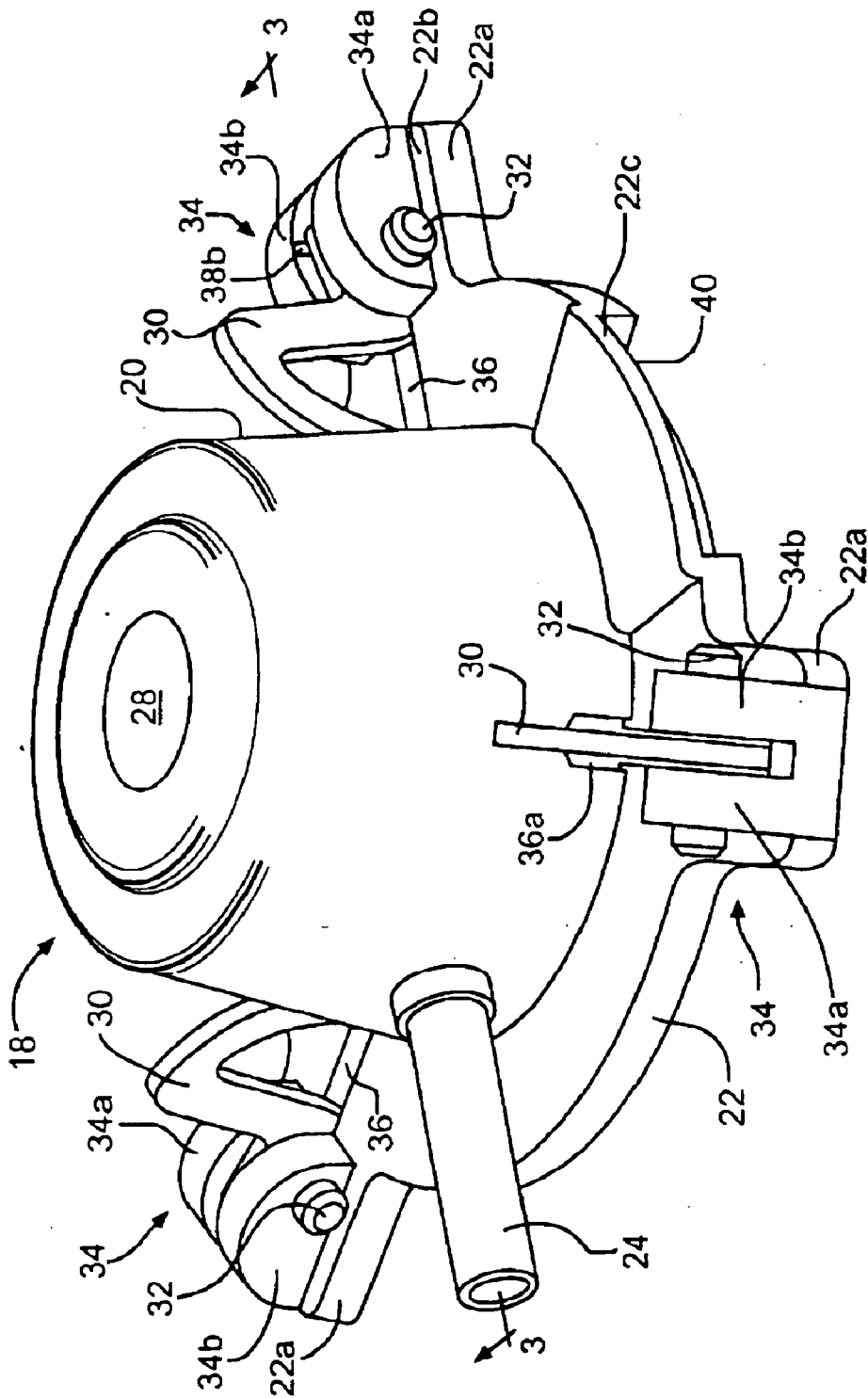


FIG. 2

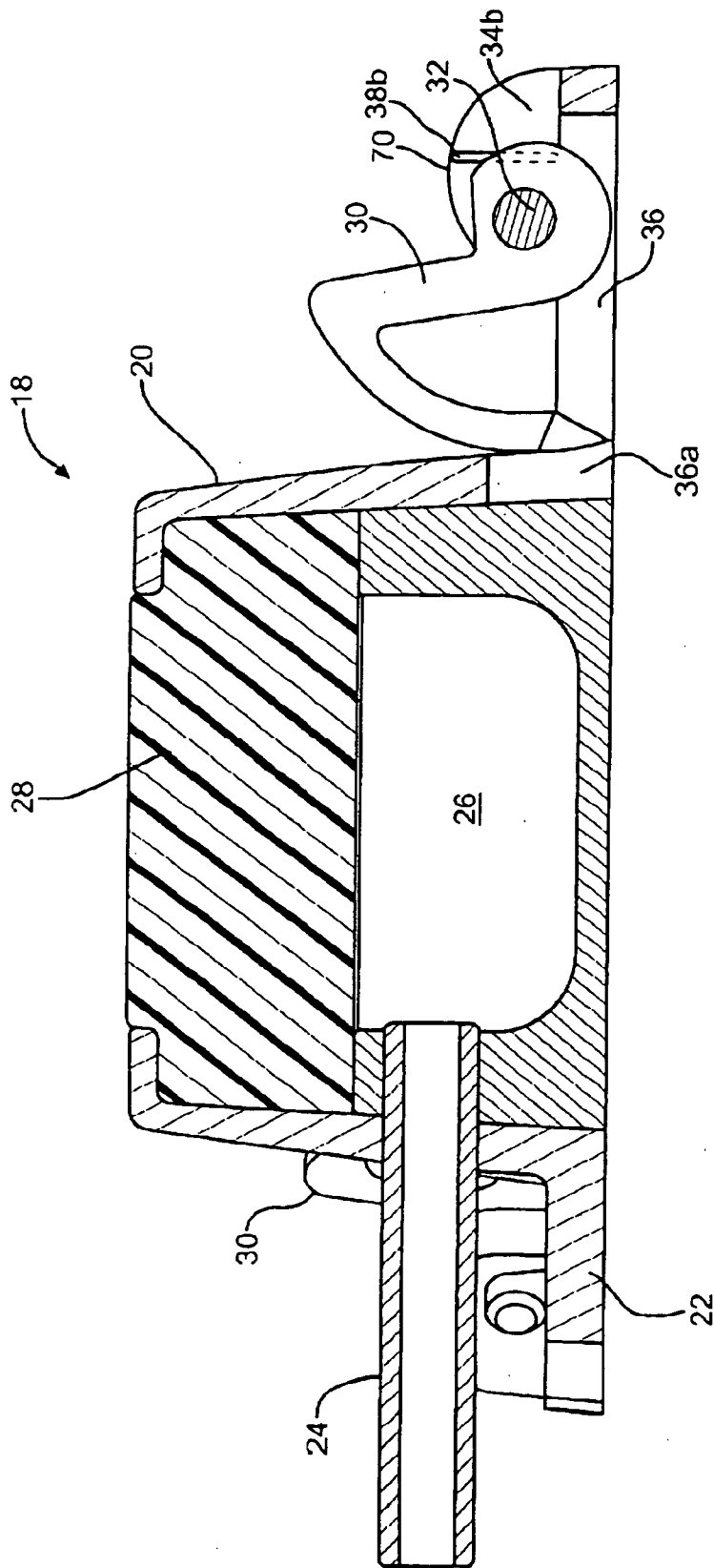


FIG. 3

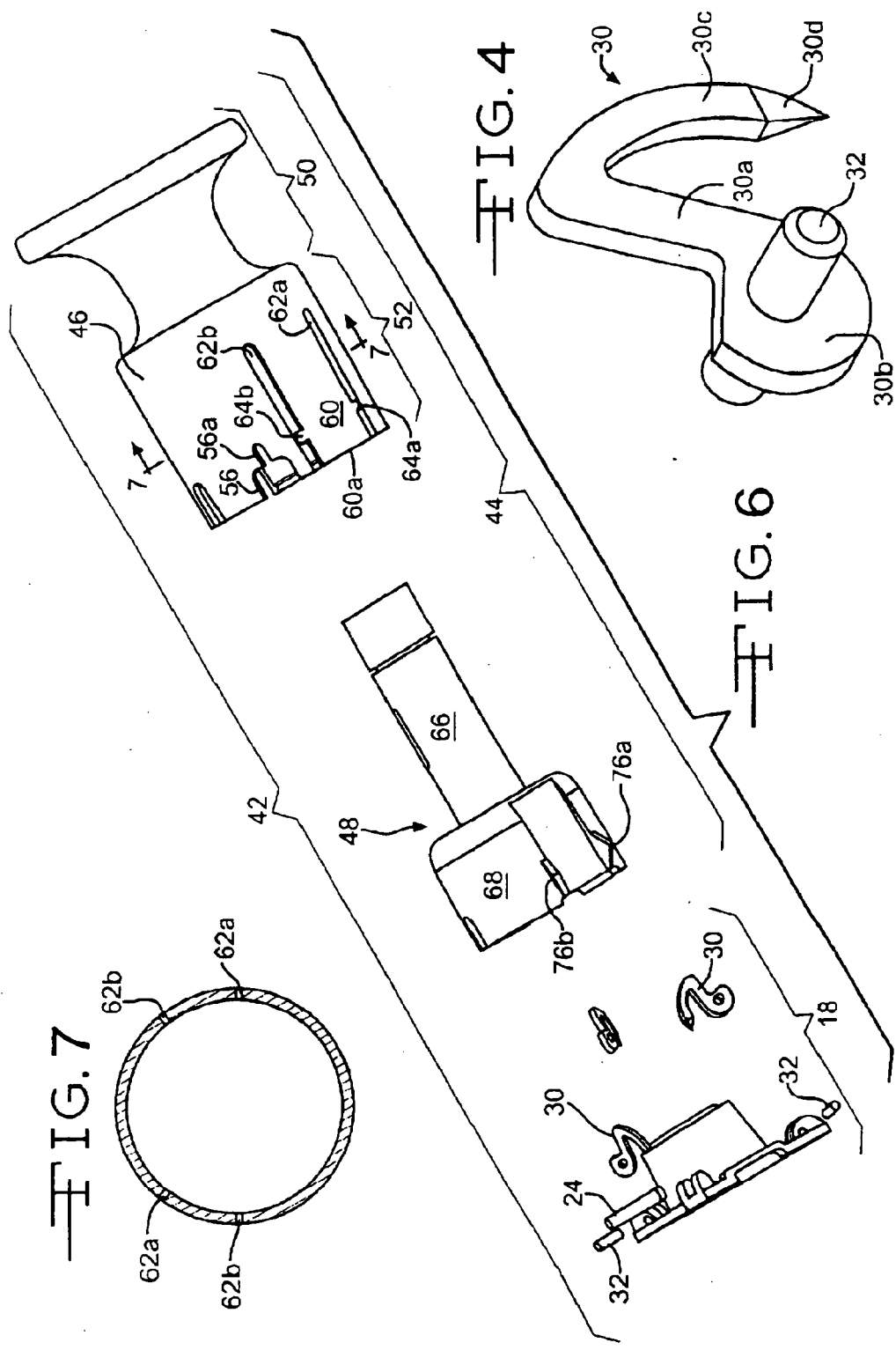


FIG. 4

FIG. 6

FIG. 7

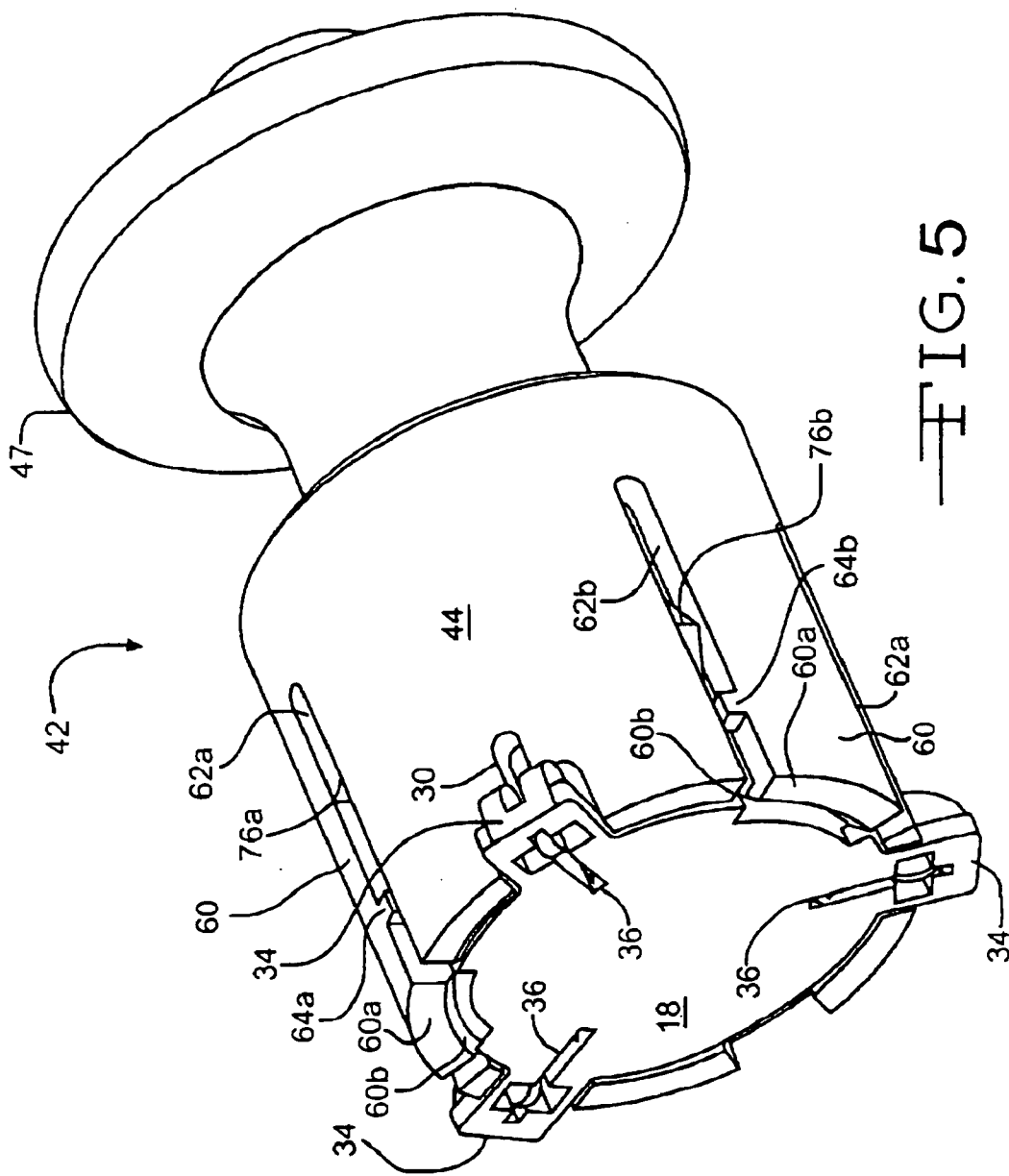


FIG. 5

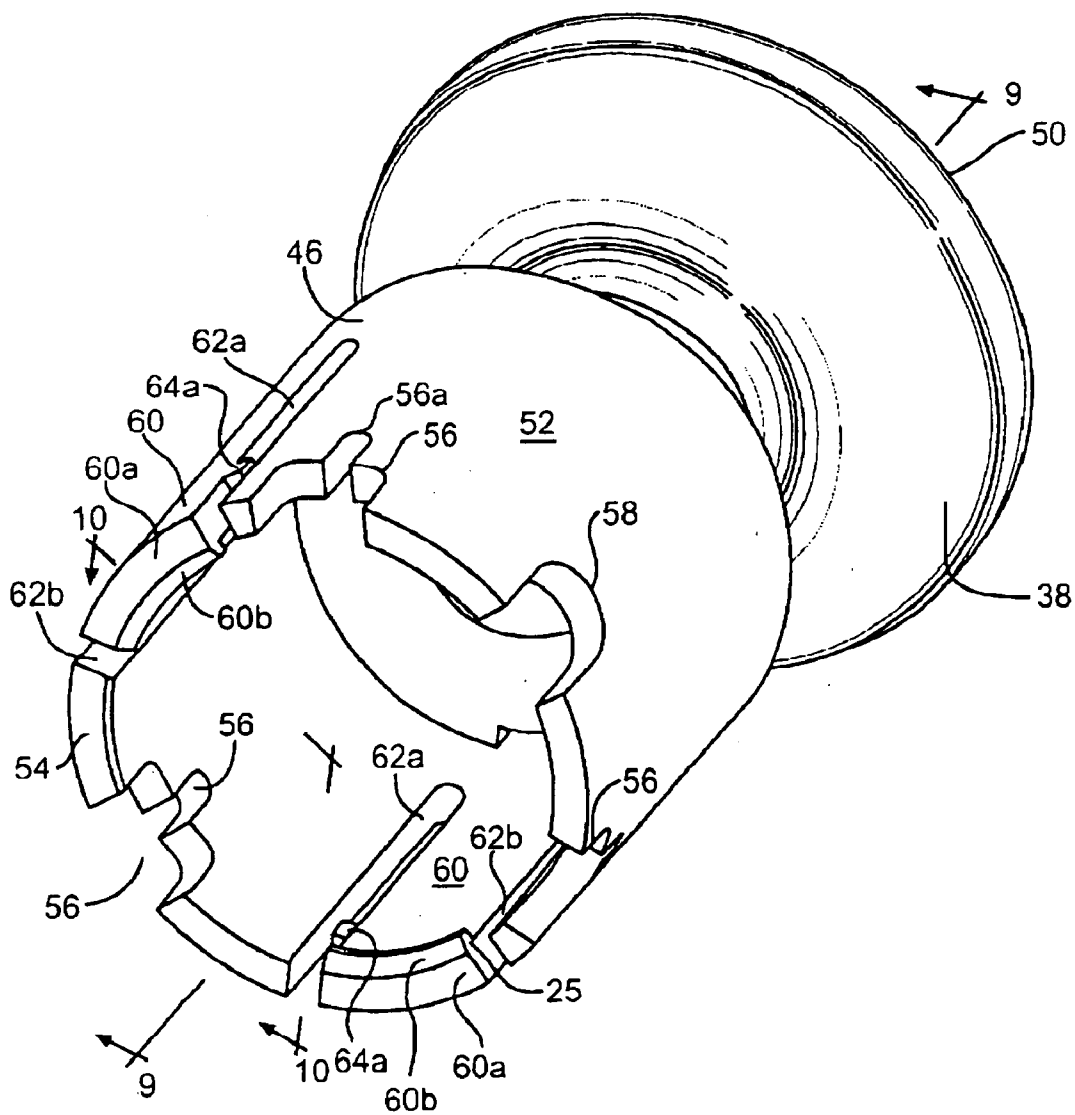


FIG. 8

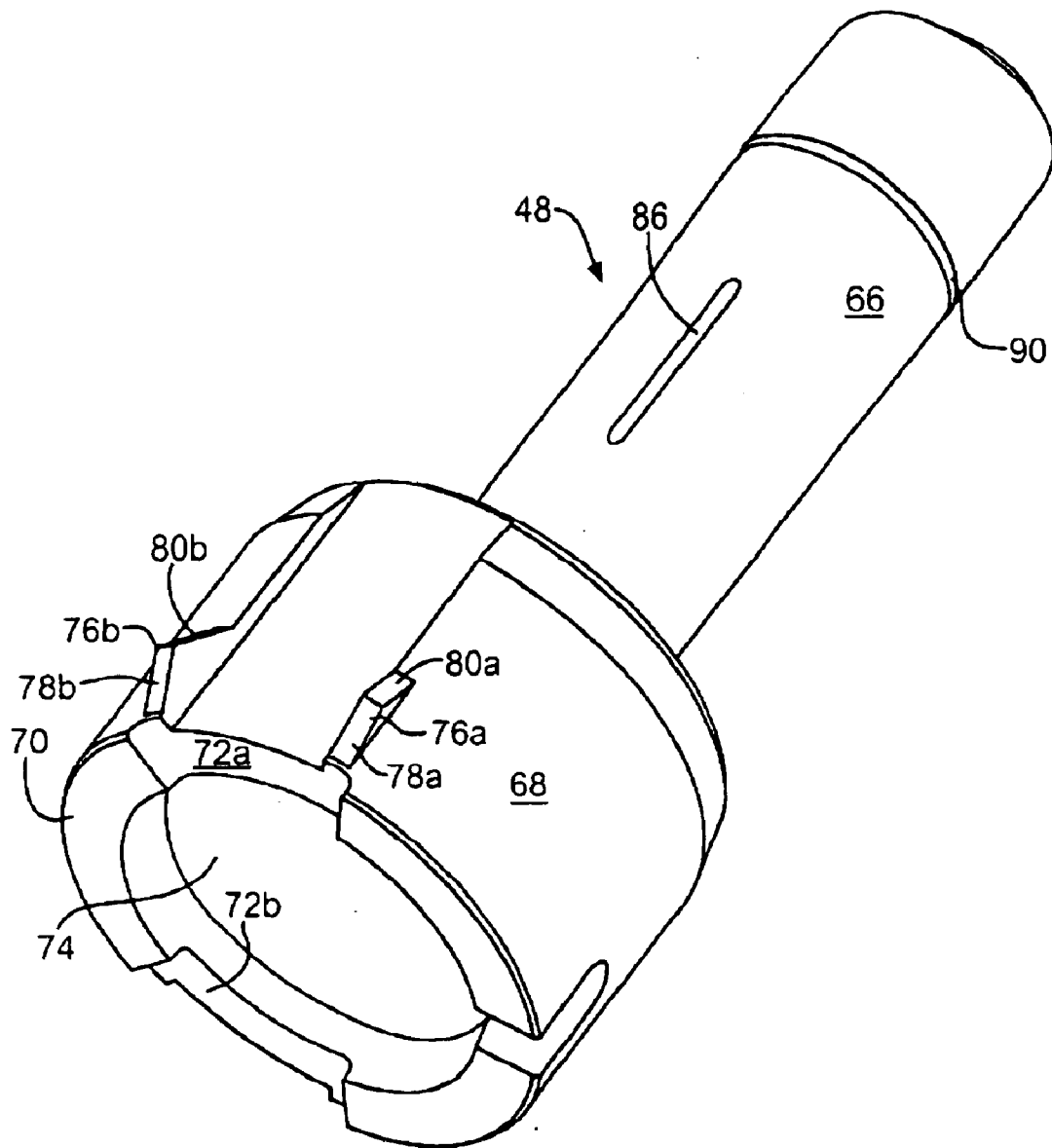


FIG. 9

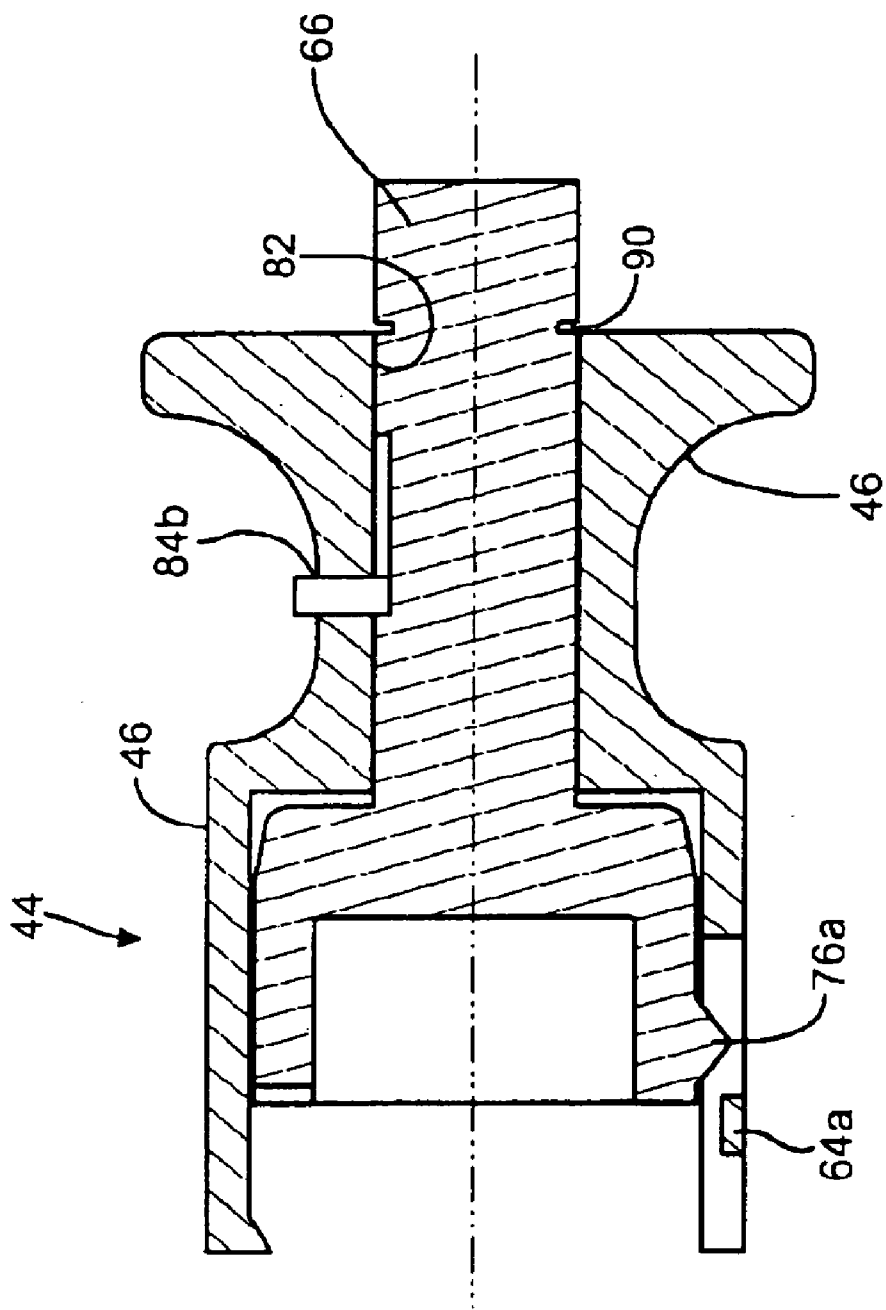


FIG. 10

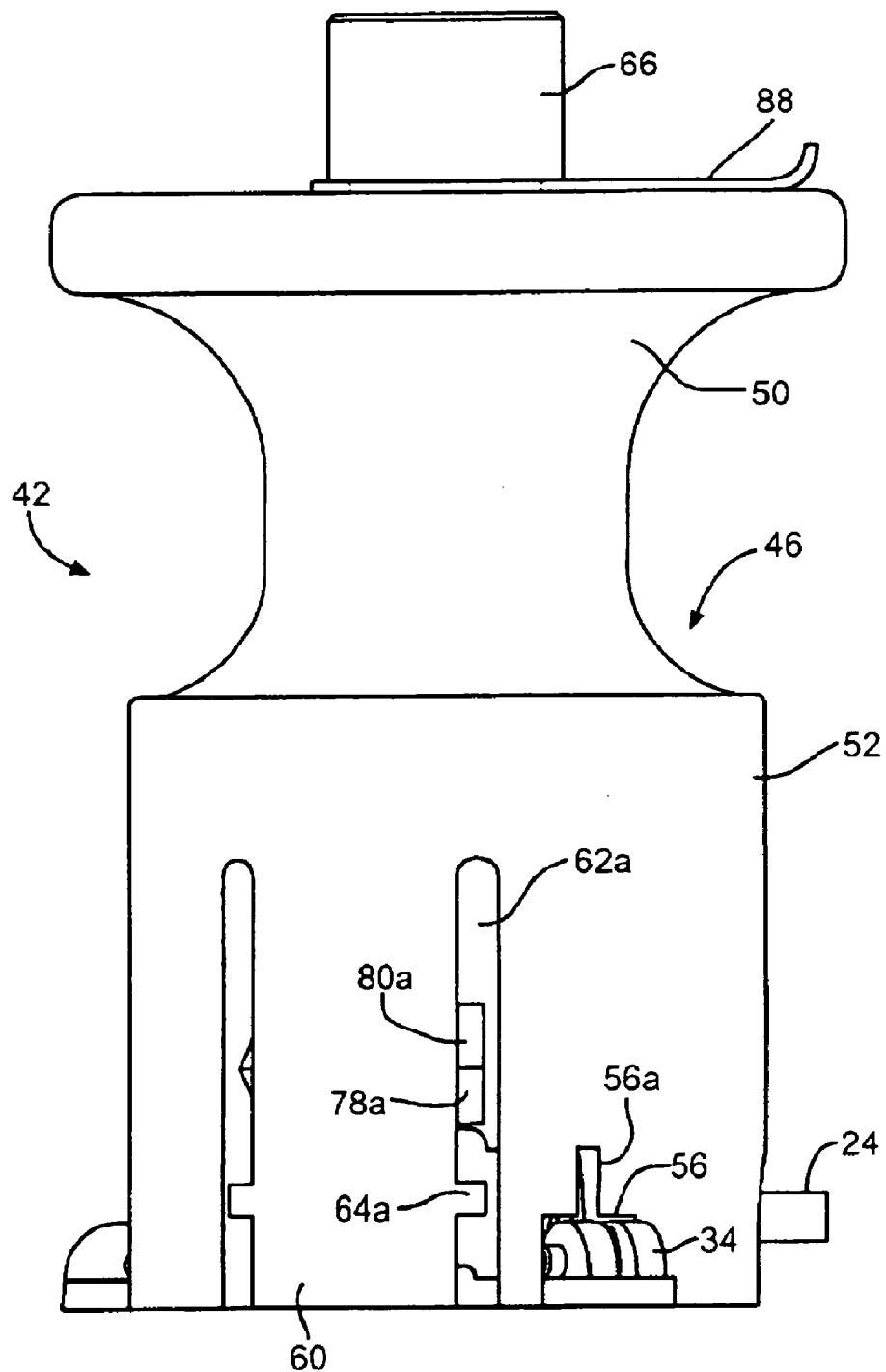


FIG. 11

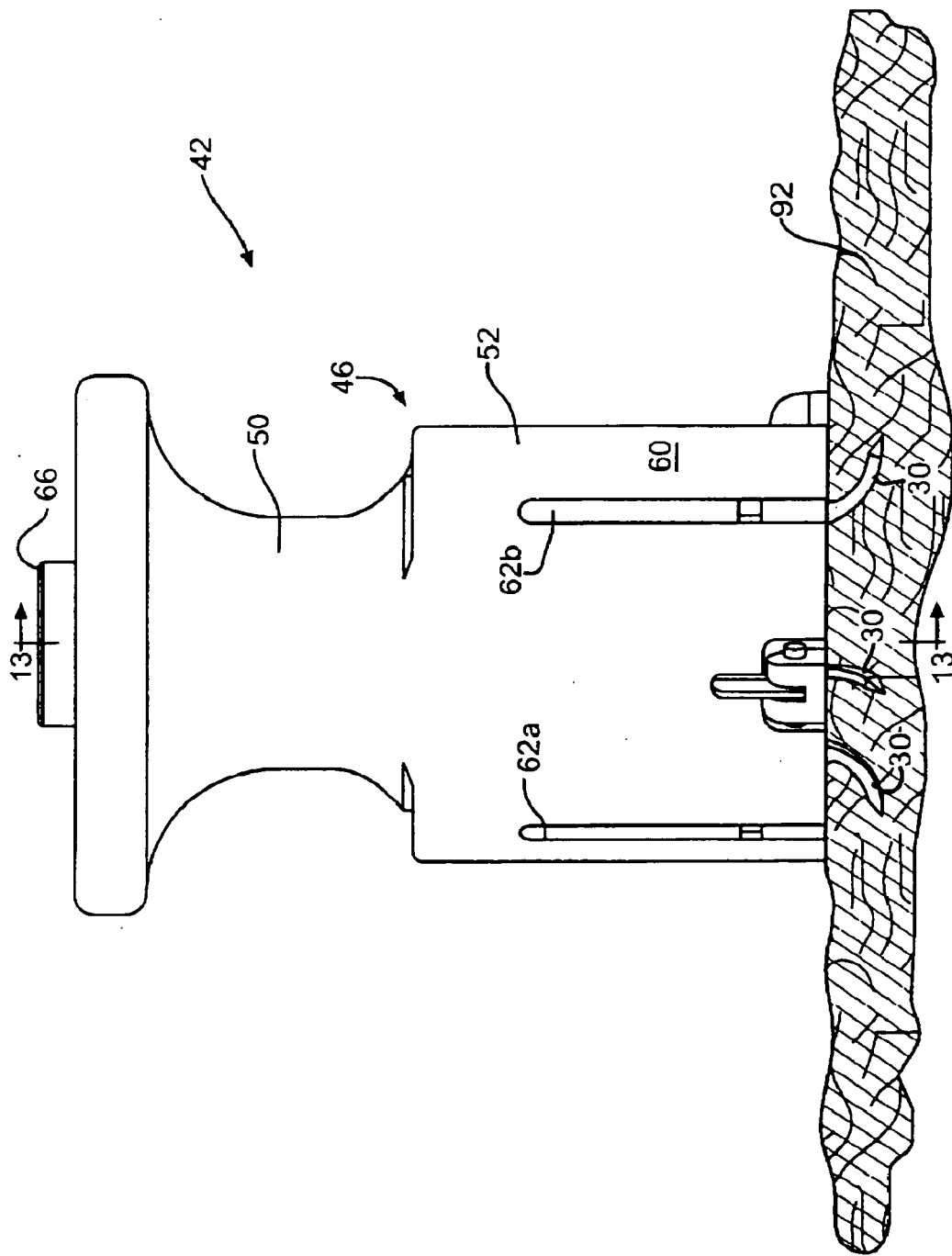


FIG. 12

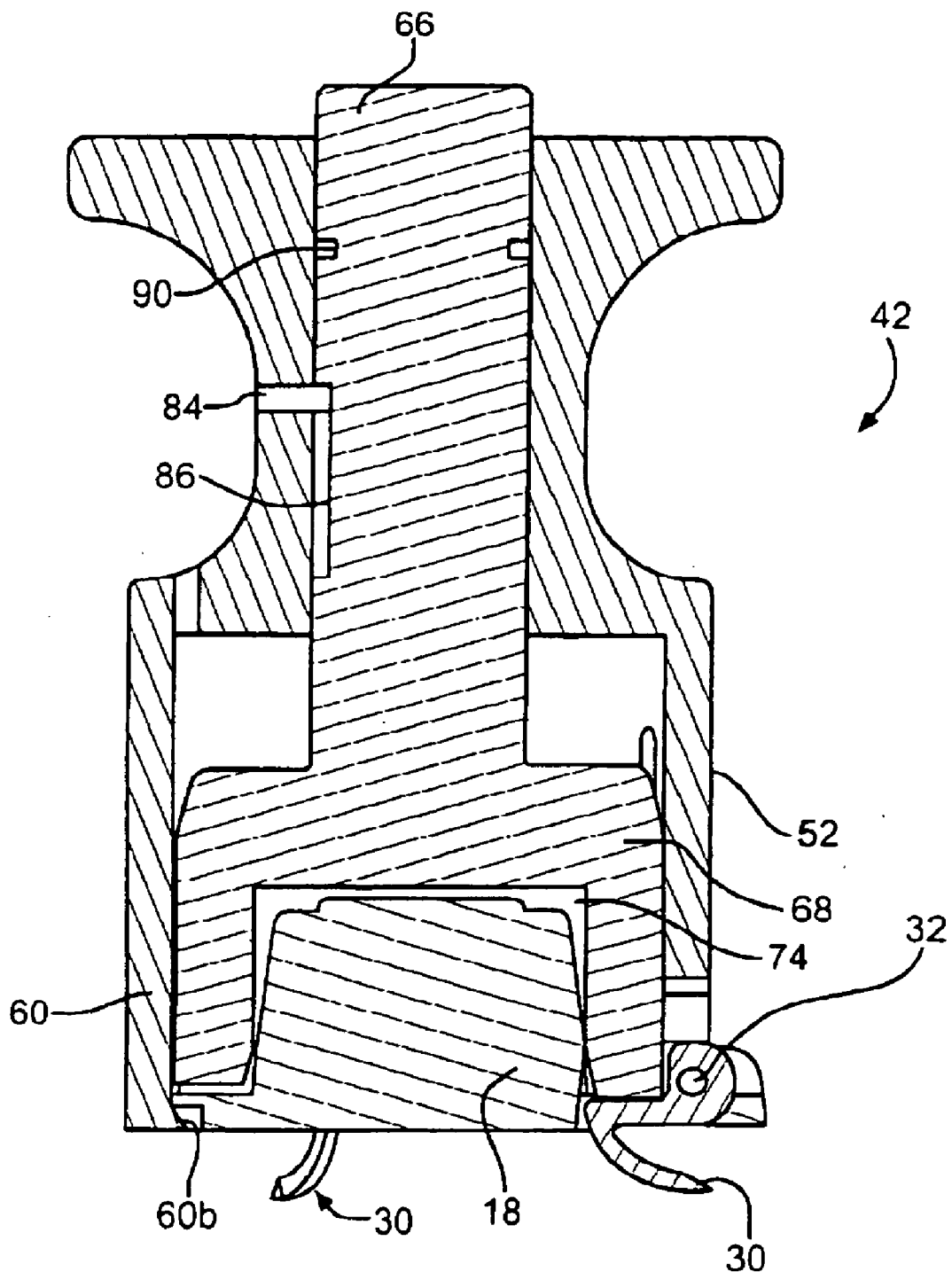


FIG. 13

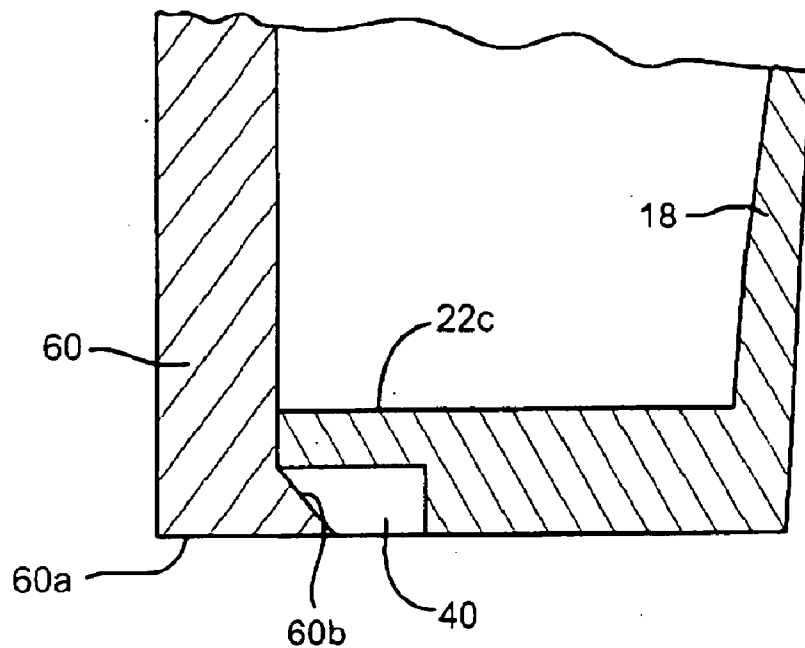
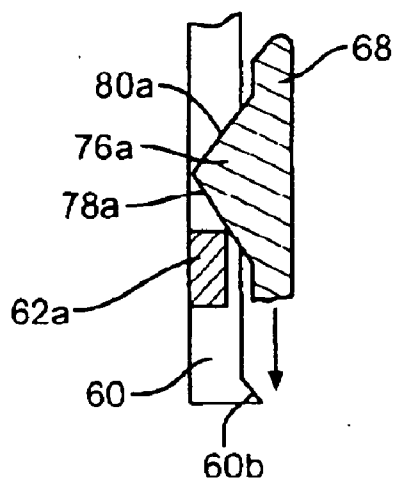


FIG. 14

FIG. 15



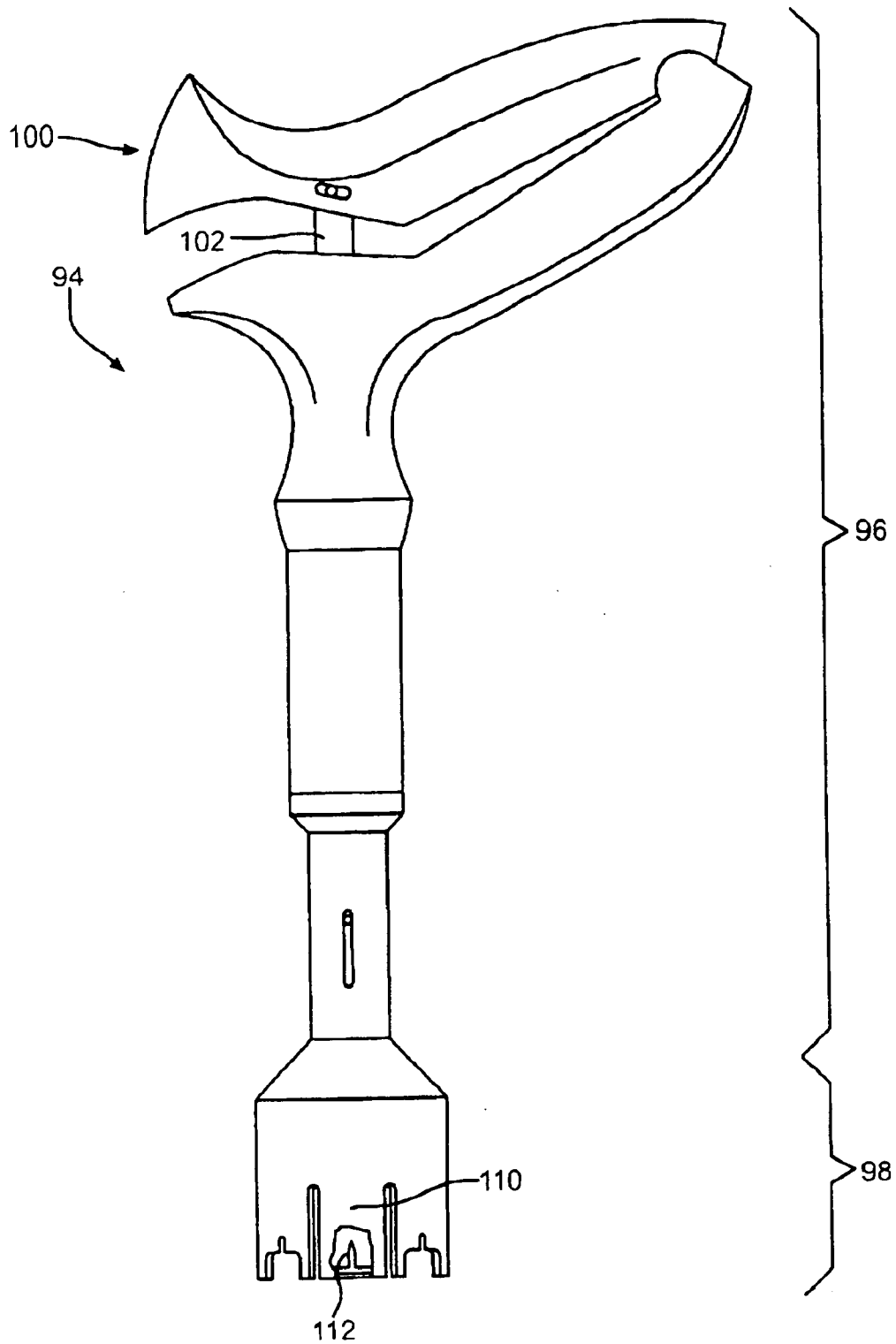
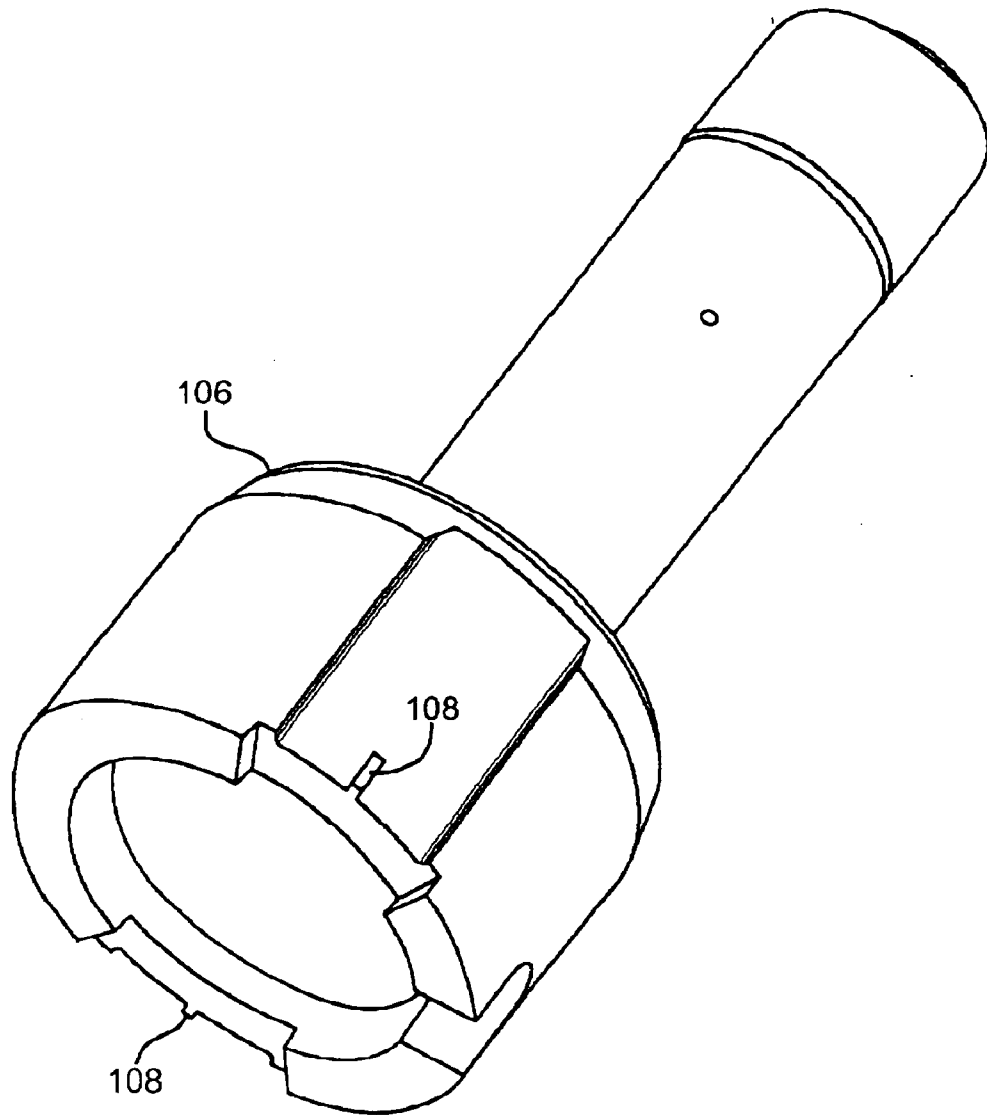


FIG. 16



—FIG. 17

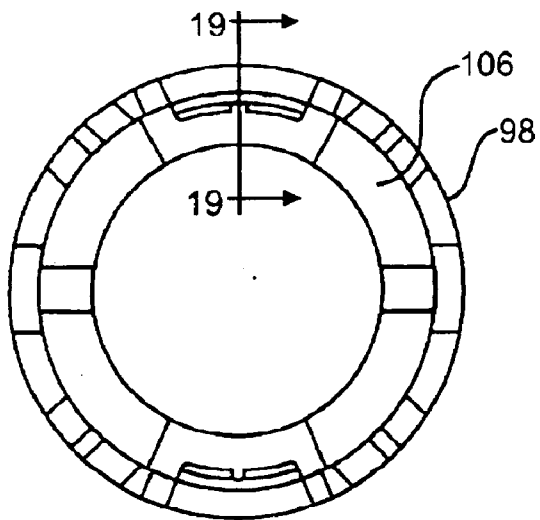


FIG. 19

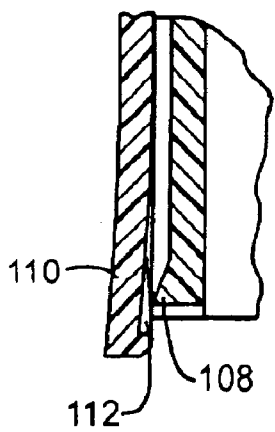


FIG. 20

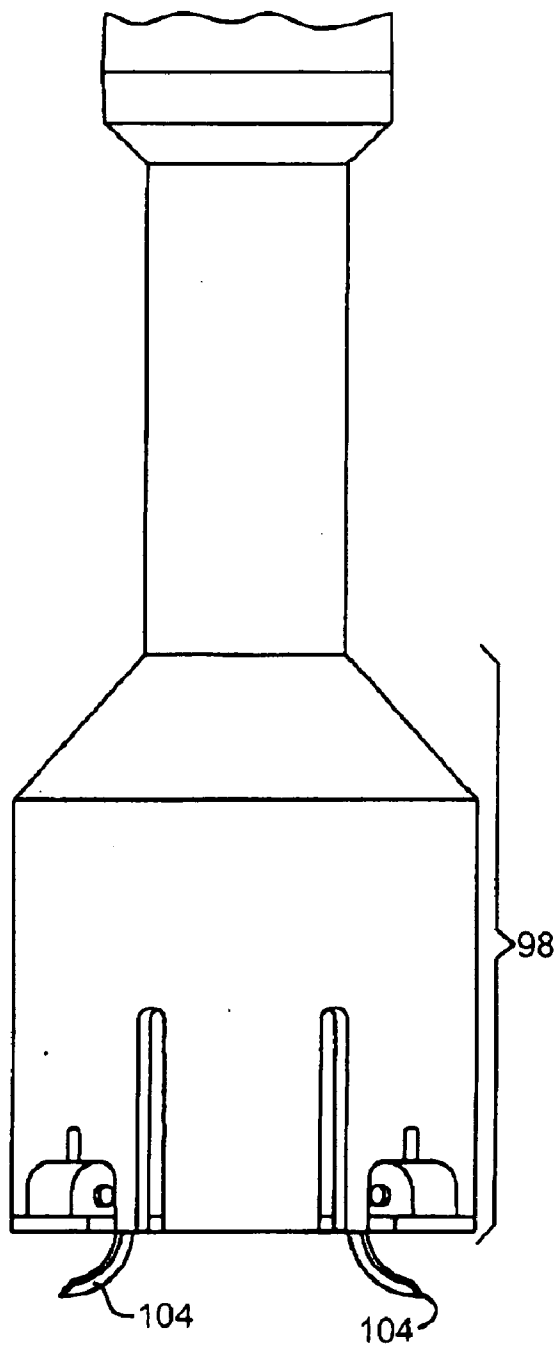


FIG. 18

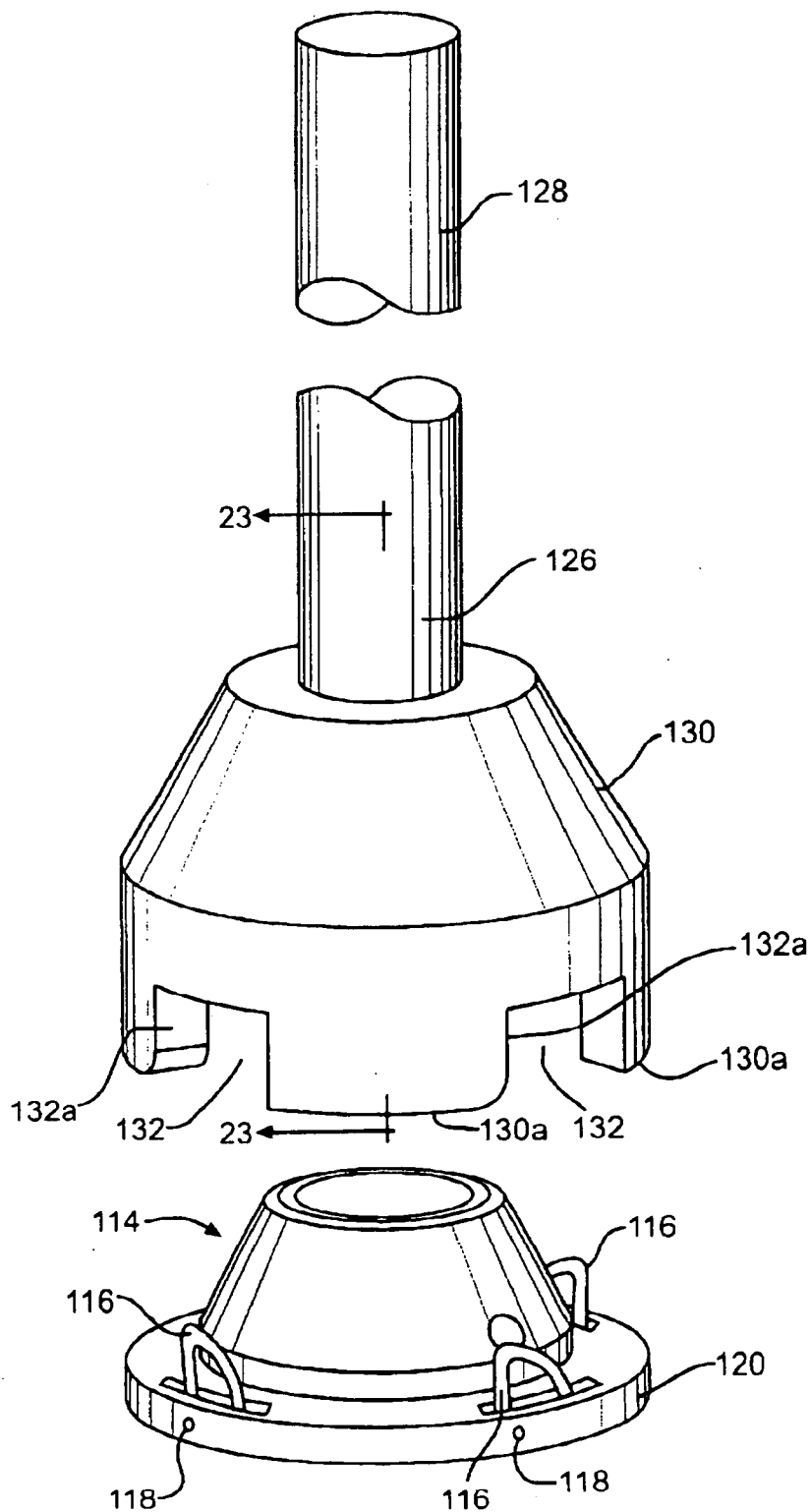


FIG. 21

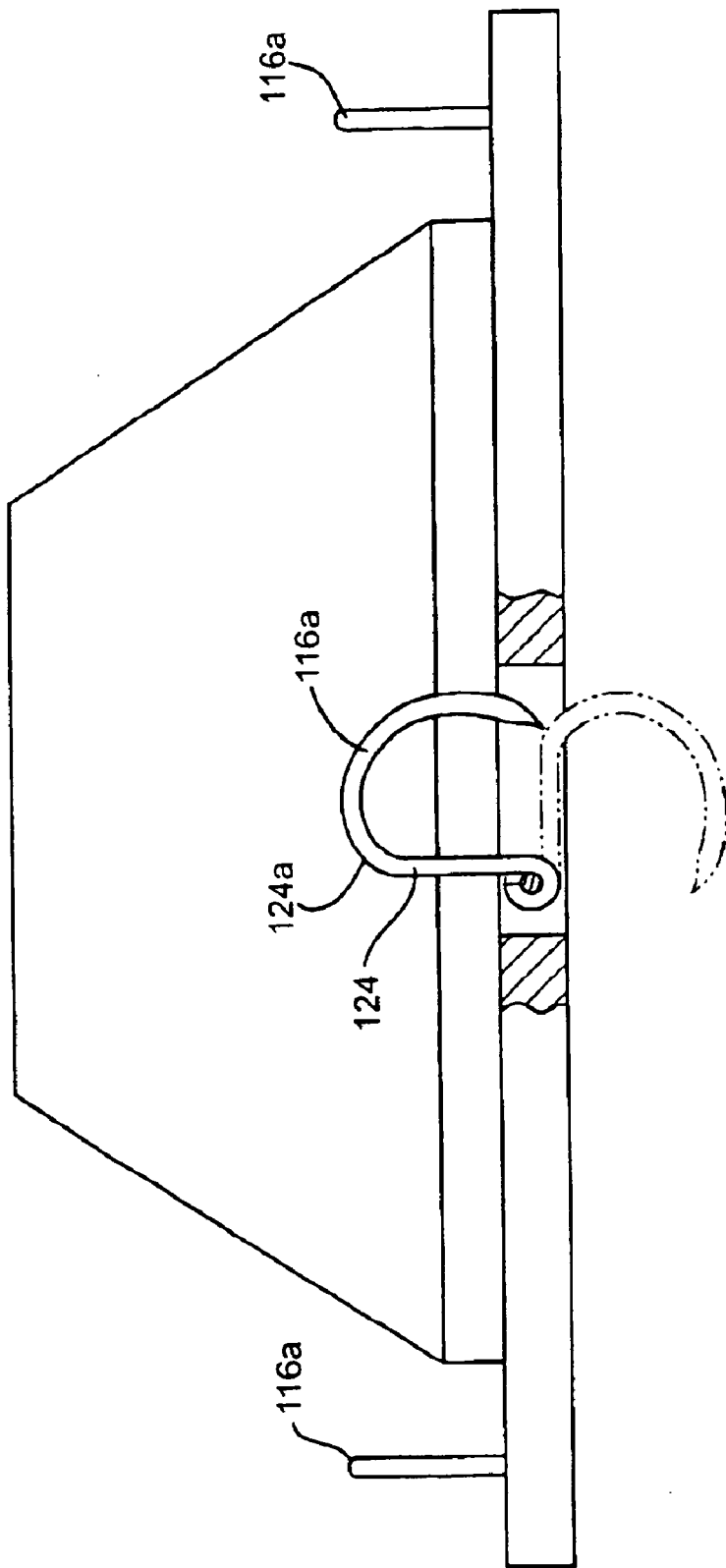


FIG. 22

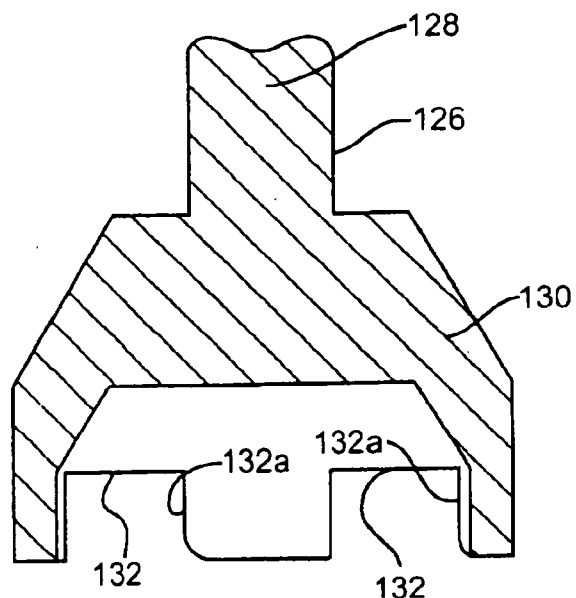


FIG. 23

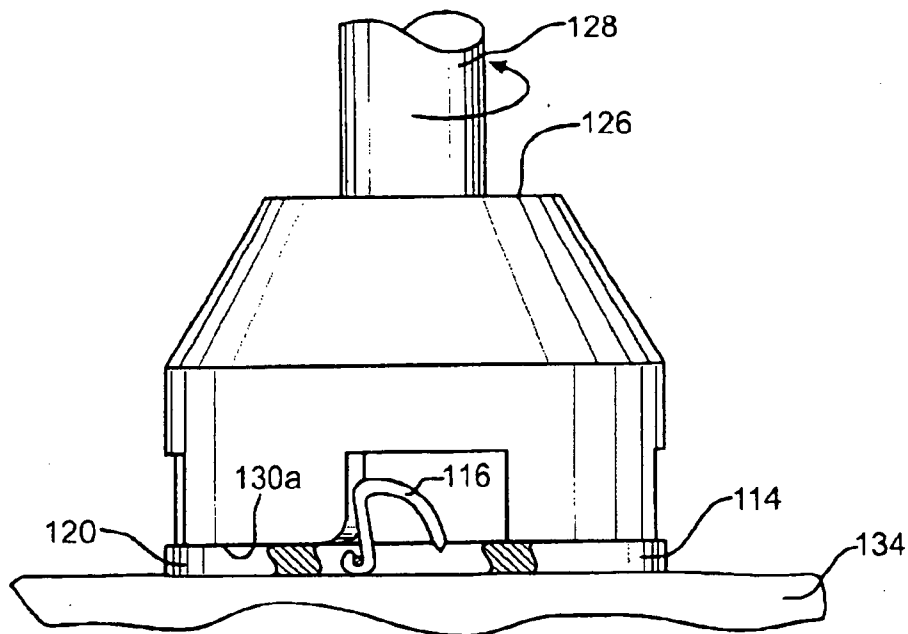


FIG. 24

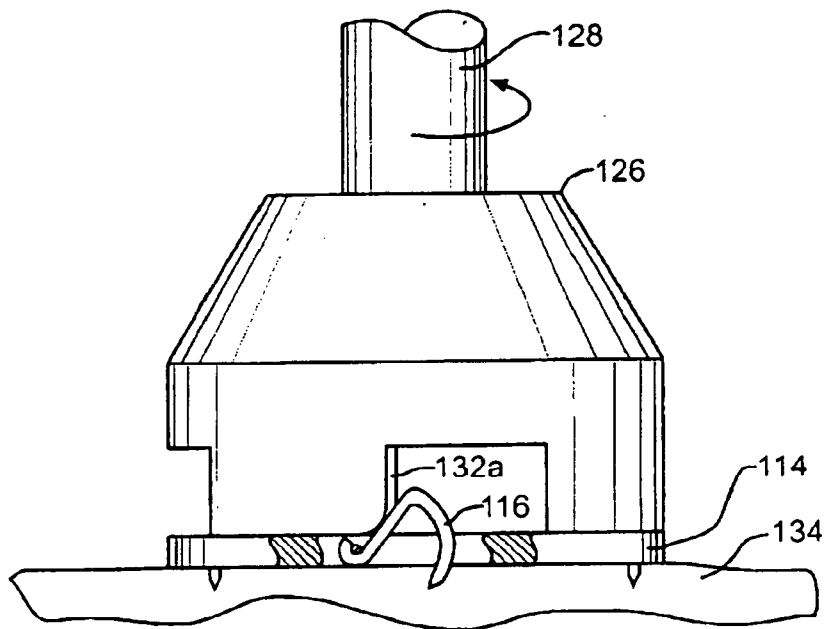


FIG. 25

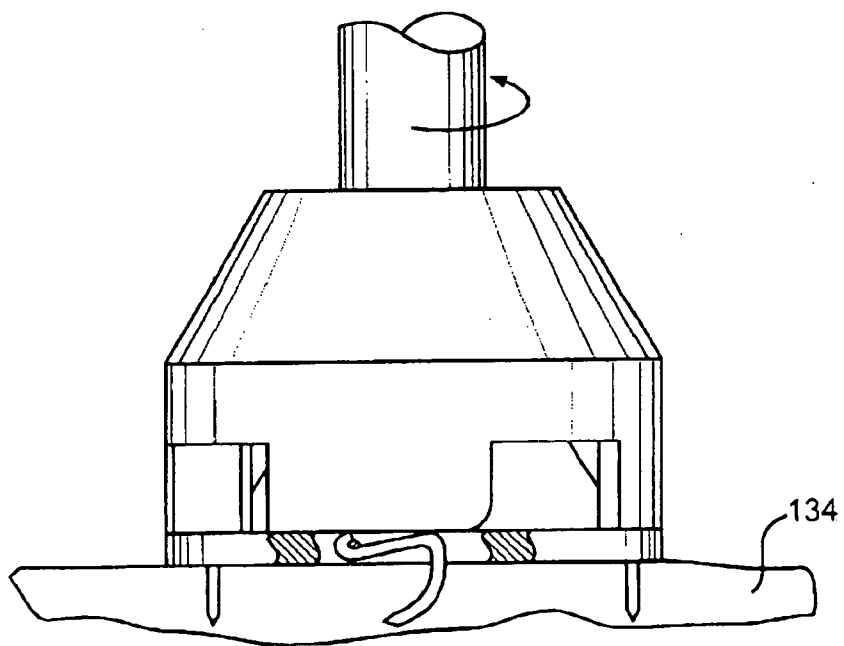


FIG. 26

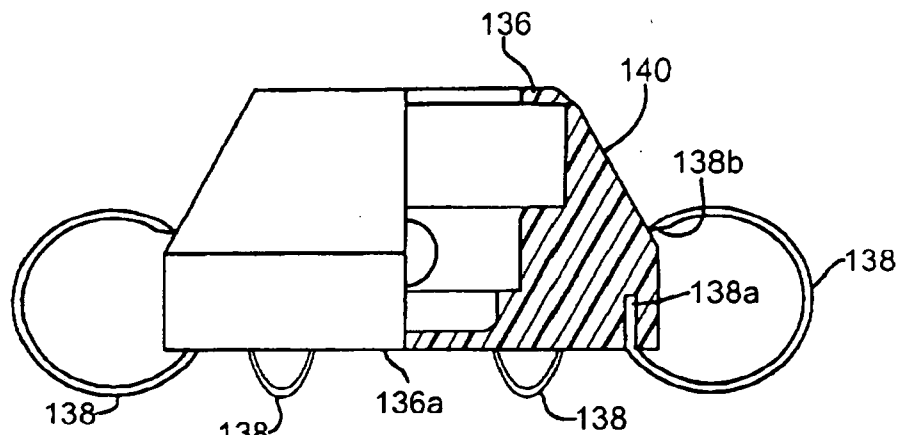


FIG. 27

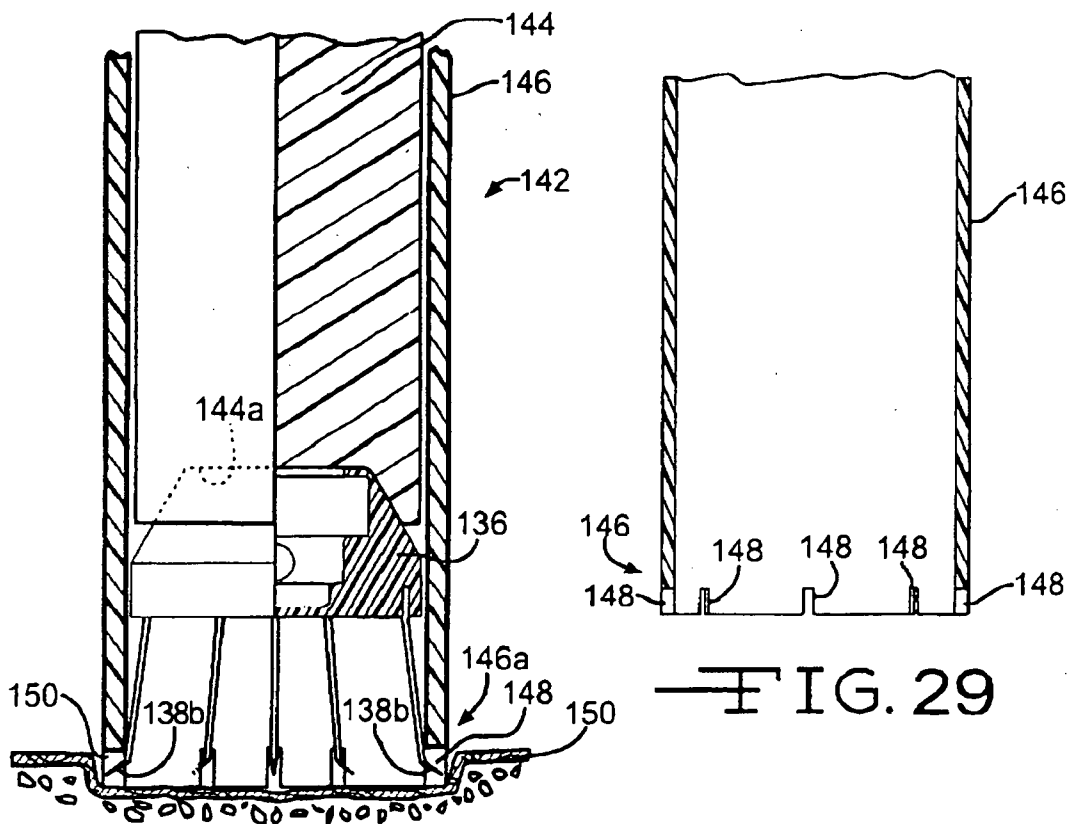


FIG. 29

FIG. 28

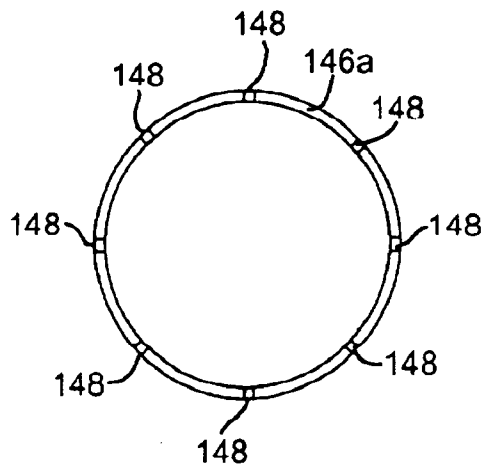


FIG. 30

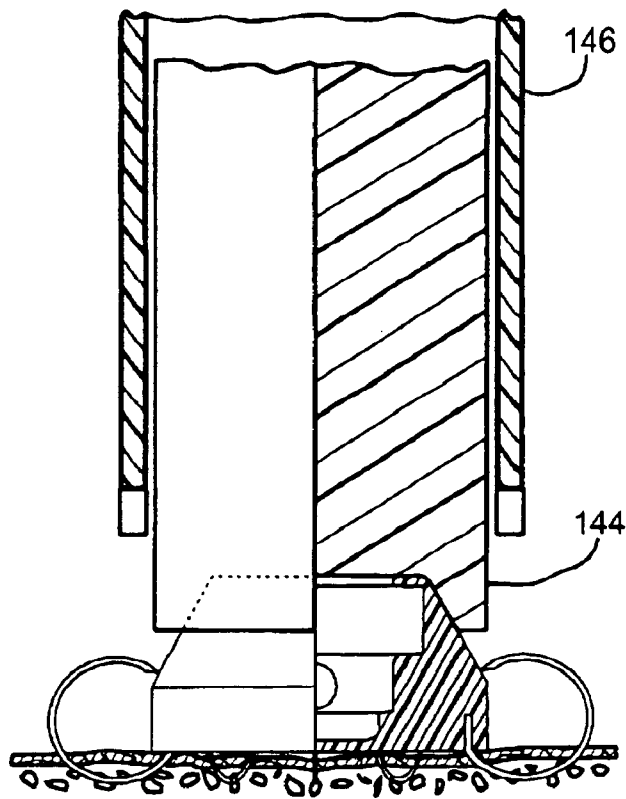


FIG. 31

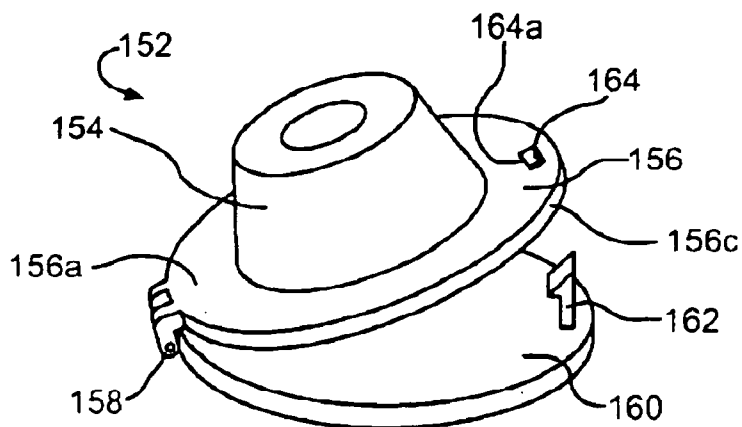


FIG. 32

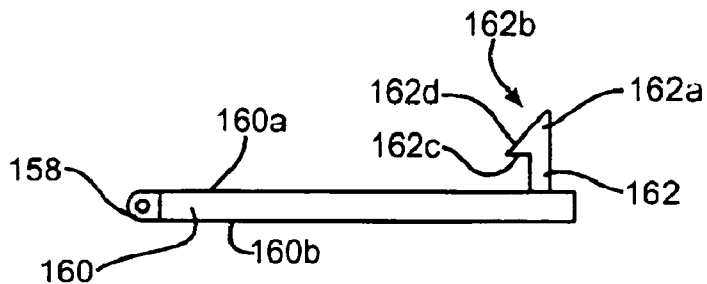


FIG. 33

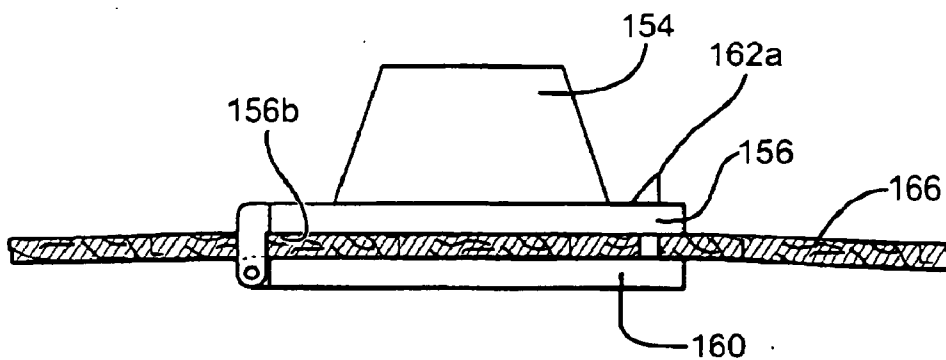


FIG. 34

SUBCUTANEOUS SELF ATTACHING INJECTION PORT WITH INTEGRAL MOVEABLE RETENTION MEMBERS

RELATED APPLICATIONS

[0001] This application claims the priority of provisional patent application Ser. No. 60/478,763, titled Fluid Injection Port For Adjustable Gastric Band, filed on Jun. 16, 2003, the disclosure of which is incorporated herein by reference. This application also incorporates by reference the following co-pending U.S. patent applications filed of even date herewith: application Ser. No. _____ (Subcutaneous Injection Port For Applied Fasteners, inventors: Conlon and Hunt); and application Ser. No. _____ (Subcutaneous Self Attaching Injection Port With Integral Fasteners, inventors: Conlon and Kolata).

TECHNICAL FIELD

[0002] The present invention relates in general to surgically implantable fluid injection ports, and is particularly directed to fasteners and methods for fastening subcutaneous peripherally attached ports. The invention will be specifically disclosed in connection with injection ports used with adjustable gastric bands, although the fasteners of the present invention may be used with many different subcutaneously attached devices, including injection ports used for vascular access such as the infusion of medications and blood draws.

BACKGROUND OF THE INVENTION

[0003] Injection ports are placed beneath the skin of a body for injecting fluids into the body, such as for infusing medication, blood draws, and many other applications, including adjustable gastric bands. Since the early 1980s, adjustable gastric bands have provided an effective alternative to gastric bypass and other irreversible surgical weight loss treatments for the morbidly obese. The gastric band is wrapped around an upper portion of the patient's stomach, forming a stoma that restricts food passing from an upper portion to a lower portion of the stomach. When the stoma is of the appropriate size, food held in the upper portion of the stomach provides a feeling of fullness that discourages overeating. However, initial maladjustment or a change in the stomach over time may lead to a stoma of an inappropriate size, warranting an adjustment of the gastric band. Otherwise, the patient may suffer vomiting attacks and discomfort when the stoma is too small to reasonably pass food. At the other extreme, the stoma may be too large and thus fail to slow food moving from the upper portion of the stomach, defeating the purpose altogether for the gastric band.

[0004] In addition to a latched position to set the outer diameter of the gastric band, adjustability of gastric bands is generally achieved with an inwardly directed inflatable balloon, similar to a blood pressure cuff, into which fluid, such as saline, is injected through a fluid injection port to achieve a desired diameter. Since adjustable gastric bands may remain in the patient for long periods of time, the fluid injection port is typically installed subcutaneously to avoid infection, for instance in front of the sternum. Adjusting the amount of fluid in the adjustable gastric band is achieved by inserting a Huber needle through the skin into a silicon

septum of the injection port. Once the needle is removed, the septum seals against the hole by virtue of compressive load generated by the septum. A flexible conduit communicates between the injection port and the adjustable gastric band.

[0005] The traditional surgical technique for securing a fluid injection port developed for vascular uses has been applying sutures through a series of holes spaced about a peripheral base flange. While generally effective, suturing often proves to be difficult and time consuming, even more so with adjustable gastric band which are intended for the morbidly obese. A significant thickness of fat tissue may underlie the skin, causing difficulties as the surgeon attempts to apply sutures to deeply recessed tissues (e.g., 5-10 cm) to secure the port, often requiring 10-15 minutes to complete. Further, if the injection port is not sutured properly, the port may flip over, making subsequent injections difficult or impossible.

[0006] Recently, a surgical stapler has been described in a German patent application No. 197 51 791.9 to Pier wherein a hat-shaped injection port includes tangentially aligned linear grooves spaced around its perimeter. A pair of holes in each linear groove receives a traditional bent wire staple. A stapler holds the staples in place and has downwardly moving forming member that presses upon the shoulders of each staple. Due to the position of the holes in the linear groove, pointed ends of the staple are deformed inwardly to grip underlying tissue.

[0007] This Pier stapler thus attaches the staples through a deformation that may prove difficult to release should the initial placement be undesirable or removal of the gastric band be appropriate. Further, because the device must permanently deform a multiplicity of stainless steel or titanium staples, a more complicated mechanism is required to provide the surgeon with enough mechanical advantage to form the staples easily. The Pier injection port also requires a custom stapler handle that is not useful for any other purpose, which may be an undesirable expense for surgeons who do not perform numerous placements of the Pier injection port.

[0008] While a custom stapler for an injection port may have advantages over suturing, such as the time required to accomplish the attachment, it is believed that other approaches to attaching an injection port may have additional advantages or features not provided by traditional suturing or a stapler using bent wire staples.

[0009] Consequently, a significant need exists for a fluid injection port suitable for subcutaneous attachment that is quickly attachable yet is secure over a long period of time.

BRIEF SUMMARY OF THE INVENTION

[0010] As described herein, there is provided an injection port for injecting fluids into a body. The port includes a housing for placement beneath the skin of the body and means for receiving a needle. At least one retention member is integrally attached to the housing which is moveable with respect thereto. The retention member has an undeployed state when disposed in a first position relative to the housing and a deployed state engaging tissue adjacent the housing when disposed in a second position relative to the housing.

BRIEF DESCRIPTION OF THE DRAWINGS

[0011] The accompanying drawings incorporated in and forming a part of the specification illustrate several aspects

of the present invention, and together with the description serve to explain the principles of the invention. In the drawings:

[0012] **FIG. 1** is a diagrammatic drawing showing an injection port constructed in accordance with the present invention, connected to an adjustable gastric band wrapped around an upper part of a stomach.

[0013] **FIG. 2** is a perspective view of the injection port shown in **FIG. 1**.

[0014] **FIG. 3** is an enlarged, cross sectional view taken along a vertical plane through line 3-3 in **FIG. 2**.

[0015] **FIG. 4** is a perspective view of the rotatable retention member.

[0016] **FIG. 5** is perspective view of an injection port attachment assembly with the injection port of **FIG. 1** installed in an applicator.

[0017] **FIG. 6** is an exploded view of the injection port attachment assembly of **FIG. 5**.

[0018] **FIG. 7** is a cross sectional view of the base taken along line 7-7 of **FIG. 6**.

[0019] **FIG. 8** is a perspective view of the base of the applicator subassembly of **FIG. 5**.

[0020] **FIG. 9** is a perspective view of the plunger of the applicator subassembly of **FIG. 5**.

[0021] **FIG. 10** is a cross sectional view of the applicator subassembly of **FIG. 5**, taken at the same location as indicated by line 10-10 of **FIG. 9**.

[0022] **FIG. 11** is a side view of the injection port attachment assembly shown in **FIG. 5** prior to implantation.

[0023] **FIG. 12** is a side view of the injection port attachment assembly shown in **FIG. 5** following implantation prior to release of the injection port from the applicator subassembly.

[0024] **FIG. 13** is a cross sectional view of the injection port attachment assembly taken along line 13-13 of **FIG. 12**.

[0025] **FIG. 14** is an enlarged portion of **FIG. 13** showing a fragmentary cross sectional view of the resilient retention member and injection port.

[0026] **FIG. 15** is an enlarged, fragmentary view showing the position of the actuator ramp and the resilient retention member actuator.

[0027] **FIG. 16** is a side view of an alternate embodiment of an injection port attachment assembly according to the present invention.

[0028] **FIG. 17** is a perspective view of the plunger of the applicator subassembly of **FIG. 16**.

[0029] **FIG. 18** is a fragmentary side view of the attachment end of the injection port attachment assembly shown in **FIG. 16**.

[0030] **FIG. 19** is an end view of the applicator subassembly of **FIG. 16**.

[0031] **FIG. 20** is an enlarged, fragmentary cross sectional view of the attachment end of the applicator subassembly of **FIG. 16**.

[0032] **FIG. 21** is a perspective view of an alternate embodiment of a self attaching injection port in accordance with the present invention and an applicator configured for use therewith.

[0033] **FIG. 22** is an enlarged side view of the injection port of **FIG. 21** with a portion cut away to show a rotatable retention member.

[0034] **FIG. 23** is a fragmentary, cross sectional view of the applicator taken along line 23-23 of **FIG. 21**.

[0035] **FIG. 24** is a side view of the injection port attachment and applicator of **FIG. 21** prior to implantation, with a portion cut away to show a rotatable retention member.

[0036] **FIG. 25** is a side view similar to **FIG. 24**, with the applicator slightly rotated showing initiation of implantation.

[0037] **FIG. 26** is a side view similar to **FIG. 25**, with the applicator rotated further showing completion of implantation.

[0038] **FIG. 27** is a side view in partial cross section of another embodiment of an injection port with integral moveable retention members.

[0039] **FIG. 28** is a cross-section side view of the outer tube of an applicator for implanting the injection port shown in **FIG. 27**.

[0040] **FIG. 29** is an end view of the applicator of **FIG. 28**.

[0041] **FIG. 30** illustrates the injection port of **FIG. 28** loaded in the applicator of **FIG. 29** immediately prior to implantation.

[0042] **FIG. 31** illustrates the withdrawal shows the injection port and applicator of **FIG. 30** implantation.

[0043] **FIG. 32** is a perspective view of another embodiment of an injection port with an integral moveable retention member.

[0044] **FIG. 33** is a fragmentary side view of the retention member of the injection port of **FIG. 32**.

[0045] **FIG. 34** is a side view of the injection port of **FIG. 32**, with the retention member in the deployed position.

[0046] Reference will now be made in detail to the present preferred embodiment of the invention, an example of which is illustrated in the accompanying drawings.

DETAILED DESCRIPTION OF AN EMBODIMENT OF THE PRESENT INVENTION

[0047] Referring now to the drawings in detail, wherein like numerals indicate the same elements throughout the views, **FIG. 1**, adjustable gastric band **10** is shown wrapped around an upper portion of stomach **12**, kept in place by attaching the two ends together and extending portion **14** of the stomach **12** over adjustable gastric band **10** by suturing portion **14** to the stomach. One end of flexible conduit **16** is in fluid communication with the internal cavity of the balloon (not shown), with the other end being in fluid communication with an internal cavity of injection port **18**. At the time adjustable gastric band **10** is implanted around a portion of the stomach, remote injection port **18** is also implanted at a suitable location, usually within the rectus sheaths, for transcutaneous access via a Huber needle.

[0048] Referring also to FIGS. 2 and 3, as is well known, injection port 18 includes housing 20 having annular flange 22 extending outwardly from one end. Nipple 24 is in fluid communication with internal cavity 26 defined by housing 20, to which flexible conduit 16 is attached at some point in the procedure, typically after injection port 18 has been implanted. Fluid is added to or removed from interior cavity 26 by inserting a Huber needle percutaneously into silicone septum 28 of injection port 18. Although septum 26 is made of silicon, the means of the injection port for receiving a needle includes any structure configured to self seal after puncture with a non-coring needle.

[0049] Although a specific configuration for injection port 18 is disclosed herein, there are many suitable configurations which may be used in conjunction with the present invention.

[0050] As shown in FIGS. 2 and 3, injection port 18 includes three integral rotatable circumferentially spaced retention members/fasteners 30, each of which is rotatably carried by a respective pin 32. Each fastener 30 is disposed to rotate in a respective radial plane, about a respective tangential axis. Each pin 32 is supported by a respective fastener support 34 which is carried by flange 22. For each fastener support 34, portion 22a of flange 22 extends generally radially outward, with a pair of spaced apart upright flanges 34a and 34b, defining a gap therebetween, extending upwardly relative to top surface 22b of flange portion 22a, adjacent either side of slot 36. Recesses 36a may be formed into the side of housing 20 if necessary to provide clearance for rotation of rotatable retention members 30. Fastener supports 34 may be of unitary construction with flange 22, or may be mounted thereon in any suitable manner.

[0051] Each flange 34a and 34b includes a respective mutually aligned hole into which pin 32 is pressed with an interference fit sufficient to retain pin 32 therein. In the depicted embodiment, ribs 38a and 38b extend from the facing inner surfaces of flanges 34a and 34b, and bear against fasteners 30 to keep them from rotating freely so that fasteners 30 may be kept a non-deployed state until implantation.

[0052] Flange 22 includes two circumferentially spaced recesses 40 (only one of which is visible in FIG. 2). Flange 22 includes a stepped/raised portion 22c overlying recess 40. It is noted that recess 40 may be formed in flange 22 without including raised portion 22c.

[0053] The teachings of this invention may be practiced with any suitable configuration of a injection port, such as having a smaller flange or a discontinuous flange. Three fasteners 30 are effective to prevent injection port 18 from flipping over after implantation, such as due to passive or induced movements of the patient. However, the present invention is not limited to the use of three fasteners, and one or more fasteners may be used.

[0054] Referring to FIG. 4, rotatable retention member 30 is formed as a hook, having an arm 30a extending from base portion 30b to arcuate portion 30c. Arcuate portion 30c terminates in tip 30d which is sharp enough to penetrate tissue.

[0055] FIGS. 5 and 6 illustrate injection port assembly 42 with injection port 18 installed in applicator subassembly 44. Applicator subassembly 44 includes base 46 and plunger 48.

[0056] Referring also to FIGS. 7, 8 and 9, base 46 includes handle portion 50, which can be any suitable configuration, and tubular housing portion 52. End 54 includes recesses 56 dimensioned and shaped to receive fastener supports 34 and portions 22a. Each recess includes slot portion 56a which provides clearance for rotatable retention member 30. End 54 also includes recess 58, which provides clearance for nipple 24 when injection port 18 is installed in applicator subassembly 44.

[0057] Base 46 includes two circumferentially spaced resilient retention members 60, each defined by two respective elongated slots 62a and 62b. Each pair of slots 62a and 62b are circumferentially spaced a distance such that retention members 60 are essentially cantilevered springs which may be deflected outwardly to release injection port 18, as will be described below. Extending from each longitudinal edge of each retention member 60 near end 60a is a respective retention member actuator 64a and 64b. End 60a includes an inwardly extending lip 60b. The arcuate width, height and depth of recess 40 are complementary to the corresponding dimensions of lip 60b, such that lip 60b engages recess 40 to thereby retain injection port 18 at end 54 of base 42.

[0058] As seen in FIG. 6, plunger 48 includes shaft portion 66 and cylindrical portion 68, both of which are shaped and sized complementary to corresponding portions of base 46 so as to be axially moveably received therein. End 70 of cylindrical portion 68 is configured to complementarily engage flange 22, and includes axial recesses 72a and 72b which align with raised portion 22c. End 70 may alternatively be flat, if the configuration of flange 22 dictates. Cylindrical portion 68 defines cavity 74 which is shaped to receive injection port 18 without interfering with the desired engagement between end 70 and flange 22.

[0059] Cylindrical portion 68 includes pairs of spaced apart, outwardly extending actuators 76a and 76b. Actuators 76a and 76b are depicted as ramps, having inclined leading surfaces 78a and 78b and declined trailing surfaces 80 and 80b. When plunger 48 is disposed within base 46, each actuator 76a and 76b is disposed within a respective slot 62a and 62b. As will be described below, as plunger is depressed to advance end 70 toward end 54, actuators 76a and 76b engage respective resilient member actuators 64a and 64b and urge them outwardly, causing resilient members 60 to move outwardly, and eventually moving lips 60b out of respective recesses 22c, releasing injection port 18 from applicator subassembly 44.

[0060] FIG. 10 illustrates applicator subassembly 44 in cross section. Base 46 includes bore 82 into which shaft portion 66 is slidably disposed. Plunger 48 is retained in base 46 by pin 84 which is secured to base 46, and extends into longitudinal slot 86 in shaft portion 66.

[0061] Referring to FIGS. 5 and 11, injection port assembly 42 is illustrated, having injection port 18 installed in applicator subassembly 44. Fasteners 30 are in the retracted position in an undeployed state. End 66a of shaft 66 extends out of handle portion 50 as shown. To assemble injection port 18 into applicator assembly 44, fastener supports 34 are aligned with openings 56, and snapped into place with lips 60b engaging recesses 22c. To keep plunger 48 in place, lock clip 88 engages annular groove 90 in shaft portion 66. To implant injection port 18, clip 88 is removed and shaft

portion 66 is advanced through bore 82, contacting fasteners 30 and rotating them into the deployed state at a position piercing and engaging fascia layer 92, as shown in FIG. 12. Further advancement of shaft portion 66 will disengage injection port 18 from applicator subassembly 48, as described below.

[0062] FIG. 13 is a cross sectional view of the injection port attachment assembly taken along line 13-13 of FIG. 12. At this position, end 70 has rotated rotatable retention members/fasteners 30 about 90° from their retracted position in an undeployed state, by initially contacting fasteners 30 at their uppermost point in the retracted position. This creates a moment about pin 32, rotating fasteners 30, and transmitting sufficient force thereto to pierce the fascia layer. Full rotation of fasteners 30 into the deployed state is shown in FIG. 13, although at this position end 70 has not bottomed against the upper surface of flange 22.

[0063] Referring also to FIG. 14, which is an enlarged illustration of a portion of FIG. 13, showing resilient retention member 60 still maintaining lip 60b in recess 40. Also referring to FIG. 15, at the position illustrated in FIG. 13, ramp actuators 76a and 76b are in contact with retention member actuators 62a and 62b (62b and 76b are not shown in FIG. 15). longitudinal advancement of plunger 66 causes retention member actuators 62a and 62b to ride up ramps 78a and 78b, urging resilient retention members 60 outwardly. As plunger 66 advances, portions of end 70 engage flange 22, and begin urging injection port 18 axially out. When ramps 78a and 78b have moved retention members 60 outwardly enough, lips 60b move out of recesses 40 and injection port 18 is released. Further travel of plunger 66 pushes flange 22 past end 54 of housing 52. Slot 86 bottoms against pin 84, preventing further travel of plunger 66.

[0064] FIG. 16 is a side view of an alternate embodiment of an injection port attachment assembly according to the present invention. Injection port attachment assembly 94 includes handle portion 96 which is rotatable relative to cylindrical portion 98. Handle portion 96 includes grip 100 connected to shaft 102. In addition to the configuration of handle portion, injection port attachment assembly 94 differs from 42 injection port attachment assembly 94 in that it has four equally circumferentially spaced rotatable retention members 104 (see FIG. 18), and in the configuration of the retention member actuators and the actuator ramp.

[0065] Referring to FIG. 17, plunger 106 includes two diametrically opposite resilient retention member actuators 108. Resilient retention members 110 are disposed diametrically opposite each other since there are four rotatable retention members 104. If only three retention members were present, resilient retention members would be disposed as described above. Referring to FIG. 20, resilient retention member 110 includes ramp actuator 112. As plunger 106 is advanced, actuator 108 engages ramp 112, urging resilient retention members 110 outwardly and out of engagement with the injection port.

[0066] It is noted that in the embodiment depicted in FIGS. 16-20, plunger 106 bottoms out, after disengaging resilient retention members, without pushing the injection port out. Either embodiment described so far may be configured to push or not to push the injection port out at the end of the plunger stroke.

[0067] Referring to FIG. 21, there is shown another embodiment of an injection port constructed in accordance

with the present invention. In this embodiment, injection port 114 includes a plurality of rotatable retention members/fasteners 116, each disposed to rotate in a tangential plane. Rotatable fasteners 116 are rotatably carried by respective pins 118 which are pressed radially into flange 120.

[0068] Referring also to FIG. 22, an additional configuration of rotatable retention members/fasteners 116a. Fastener 116a has a generally circular cross section, and includes a generally arcuate portion 122 which extends higher than end 124a of arm 124 is shown. Operation of fasteners 116 and 116a is the same.

[0069] As seen in FIGS. 21 and 22, applicator 126 includes shaft 128 and cylindrical end 130. Cavity 132 forms the center of cylindrical end 130, providing clearance for injection port 114. Cylindrical end 130 includes circumferentially spaced openings 132 which are sized and spaced to align with rotatable retention members 116.

[0070] Referring to FIGS. 24, 25 and 26, injection port 114 is implanted by placing it on fascia layer 134 with fasteners 116 in the retracted position in an undeployed state. End 130a of applicator 126 is placed in contact with flange 120, with openings 132 aligned with fasteners 116. With sufficient axial force, shaft 128 is rotated, urging edges 132a against fasteners 116, causing them to rotate and pierce fascia layer 134. Edges 132a include rounded portions where they transition to end 130a for smooth engagement with fasteners 116. As seen in FIG. 26, injection port 114 is implanted when recesses 132 of applicator 126 have been rotated into the deployed state at the position as shown.

[0071] Referring to FIG. 27, there is shown another embodiment of an injection port with integral, moveable fasteners. Injection port 136 includes eight circumferentially spaced fasteners 138 extending radially outward (four shown in FIG. 27). This embodiment of the present invention is not limited to the use of eight fasteners, and one or more fasteners may be used. Fasteners 138 extend from and are secured to bottom surface 136a of the distal end of injection port 136 in any suitable manner, such as by one end 138a being pressed, welded, epoxied, or otherwise secured into a blind hole formed in bottom surface 136a. Distal end 138b are sharp for tissue penetration.

[0072] As depicted, in the undeformed deployed state, each fastener 138 is a single coil, forming a hook shape, with distal end 138b disposed touching or otherwise adjacent the side of housing 140 of injection port 136. It is noted that the relative positions of the side of housing 140 and distal ends 138b may leave fasteners 138 in a somewhat deformed state with some stress and strain. Fasteners 138, also referred to as radial elements, are flexible, being made of any suitable material. Material having super elastic properties, such as a nickel titanium alloy, for example Nitinol® wire.

[0073] Fasteners 138 may be of any suitable dimensions. In one example, Nitinol® wire having a diameter in the range of 0.020-0.080 mm, coiled to a diameter of about 4-8 mm was used.

[0074] Referring also to FIGS. 28-31, implantation of injection port 136 may be accomplished through use of applier 142. Applier 142 includes plunger 144 axially reciprocable disposed inside of tube 146. End 144a is shaped complementarily to housing 140 of plunger 144. End 146a of tube 146 includes a plurality of circumferentially spaced

slots 148 located complementarily to the spacing of fasteners 138. Tube 146 may include a slot to accommodate the nipple extending from injection port 136.

[0075] As seen in FIG. 28, injection port 44 is initially disposed inside of tube 146, spaced up from end 146a a distance sufficient to orient fasteners 138 in an undeployed state at a position such that tips 138b are respectively disposed in slots 148 without extending outside of the diameter of tube 146. The wall thickness of tube 146 at end 146a is sufficient to provide adequate length for tips 138b to remain disposed therein without extending beyond the outer diameter of tube 146. Tube 146 may be uniform along its entire length, or have a thin wall along its length with a thicker wall section at end 146a, such as provided by a collar (not illustrated) disposed about end 146a, to provide the desired radial thickness for slots 148.

[0076] Although FIG. 28 illustrates flexible fasteners 138 as extending straight between slots 148 and bottom surface 136a, fasteners 138 may assume a curved configuration dictated by their specific physical properties and the distance between slots 148 and bottom surface 136a. Slots 148a are configured to keep fasteners 138 in a suitable orientation and configuration to feed through slots 148 as described below. Tube 146 may be made of any suitable material, such as stainless steel or plastic.

[0077] Injection port 136 may be releasably held in the appropriate location within tube 146 in any suitable manner. For example, a pin may extend through a hole in tube 146 to restrain injection port 136 across bottom 1364a until implantation; an adequate frictional fit between injection port 136 and the inside of tube 146 may be provided, with the tightest fit being at the highest location of injection port 136 within tube 146; end 144a could be configured to releasably engage injection port 44, with plunger 144 being retained in tube 146.

[0078] It is contemplated, but not required, that applicator 142 will be provided to the surgeon with injection port 136 pre-mounted inside of tube 144 as a sterilized assembly. Implantation of self attaching injection port 136 is accomplished by urging end 146a against fascia layer 150 to depress the tissue surface slightly thereby upraising the tissue so that fasteners 138 may go through it the surgeon then pushes plunger 144 to deploy fasteners 138, and withdraws tube 146. Sharp lips 138b penetrate through and curl back out of fascia layer 150, and stop against the side of housing 140 to protect tips 138b. In the deployed state, fasteners 138 are in a "relaxed" configuration, having less deformation, and therefore less stress strain, than in the pre-attachment, deformed state.

[0079] Deformable fasteners 138 may be sized to provide holding strength similar to sutures, with the flexibility of fasteners 138 allowing injection port 136 to be removed without the tissue being ripped. For example, after attachment, injection port may be repositioned by grasping injection port 136 and pulling it up, uncurling fasteners 138 in the process. It may then be reinserted into applicator 142 and reimplanted. Applicator 142 may also be used to remove injection port 136, such as by configuring end 150a to engage injection port 136 to be withdrawn, as tube 146 is urged against tissue. In such a case, it may be advantageous to provide structure to index plunger 144 relative to injection port 136 and slots 148.

[0080] Although flexible fasteners 138 are illustrated extending from bottom 136a, this aspect of the present invention may be practiced with fasteners 146 extending in other directions from injection port 136, such as from the side. As will be appreciated, modifications to applicator 142, such as a larger diameter to accommodate the circumferential attachment to injection port 136 for implantation, may be made. It is noted that with flexible fasteners 138 extending from bottom 136a, tips 138a are oriented in a downward pointing undeployed state at a position ready to penetrate the tissue from the top, which allows a smaller diameter than would fasteners extending outwardly from the side. A small diameter applicator minimizes the size of the incision, and requires less dissection.

[0081] Referring to FIG. 32, another embodiment of an injection port having an integral moveable retention member is illustrated. Injection port 152 includes housing 154 with annular flange 156 extending outwardly from the lower distal end of housing 154. Annular flange 156 includes upper surface 156a and lower surface 156b.

[0082] Hinge 158 is carried by annular flange 156, moveably connecting retention member/fastener 160 to flange 156. Hinge 158 may be any structure which allows the necessary relative movement between retention member/fastener 160 and flange 156.

[0083] Referring also to FIG. 33, retention member 160 includes upper surface 160 and lower surface 160b. Locking member 162 extends upwardly from upper surface 160a, and includes distal tip 162a which is configured to pierce tissue. Locking member 162 also includes locking configuration 162b which is configured to engage annular flange 156 and lock retention member 160 in a deployed state, as described below. As depicted, locking configuration 162b includes step 162c and inclined surface/ramp 162d.

[0084] In the embodiment depicted, flange 156 includes opening 164 which is shaped complementary to locking member 162, configured to receive locking member 162 and engage step 162c to maintain locking member 162 and retention member/fastener 160 in the deployed state. Locking member 162 has enough flexibility to allow outward movement of locking member 162 as inclined surface 162d engages and advances along corresponding edge 164a of opening 164. Once locking member 162 has been inserted far enough into opening 164 for ramp 162d to disengage with corresponding edge 164a, step 162c will clear upper surface 156a, and the locking member 162 will move inwardly, with step 162c engaging upper surface 156a to resist withdrawal of locking member 162 from opening 164.

[0085] Alternatively, opening 164 may open to outer edge 156c of flange 156, or may even be eliminated, with locking member 162 disposed such that inclined surface 162d engages and advances along outer edge 156c.

[0086] Locking member 162 may be made of any suitable material which provides the necessary flexibility, including plastic. Locking member 162 is not limited to the shape shown, and may be of any shape which is functional to retain retention member 162 at the position shown in the deployed state. Locking member 162 and flange 156 may be configured such that distal tip 162a does not extend above, or as far above, upper surface 154a. For example, locking member 162 could include a stop surface which engages the

annular flange 156 so as to limit the position of distal tip 162a relative to upper surface 156a.

[0087] Retention member 160 may also be made of any suitable material, including plastic.

[0088] FIG. 32 illustrates retention member 160, in the undeployed state. Hinge 158 may include a detent to hold retention member 160 in a particular undeployed state position relative to housing 154. To implant injection port 152, retention member 160 is inserted below the fascia tissue, with injection port 152 remaining there above. If necessary, an incision may be made in the tissue sufficient to insert retention member 160. Retention member 160 is moved relative to housing 154 and flange 156 into a deployed state, with distal tip 162a piercing the tissue and engaging opening 164, as illustrated in FIG. 34.

[0089] FIG. 34 illustrates injection port 152 fastened in place, with tissue 166 disposed between flange 156 and retention member/fastener 160. As can be seen in FIG. 34, hinge 158 is located so as to maintain flange 156 and retention member 160 in a spaced apart relationship, creating a gap therebetween within which tissue 166 may be captured. Alternatively, it may be possible to omit the gap if either flange 156 or retention member 160 is flexible enough to so capture tissue 166 without damage.

[0090] Although retention member/fastener 160 is illustrated as shaped complementary to flange 156, retention member/fastener 160 does not have to have the same shape as flange 156. For example, retention member/fastener 160 could be a strap. Additionally, housing 154 does not have to include flange 156. Flange 156 could be omitted, with hinge 158 being connected directly to an edge of the distal end of housing 154. The axis of rotation of retention member 160 could be oriented vertically with respect to housing 154 and lower surface 156b of housing 154.

[0091] In summary, numerous benefits have been described which result from employing the concepts of the invention. The foregoing description of one or more embodiments of the invention has been presented for purposes of illustration and description. It is not intended to be exhaustive or to limit the invention to the precise form disclosed. Obvious modifications or variations are possible in light of the above teachings. The one or more embodiments were chosen and described in order to best illustrate the principles of the invention and its practical application to thereby enable one of ordinary skill in the art to best utilize the invention in various embodiments and with various modifications as are suited to the particular use contemplated. It is intended that the scope of the invention be defined by the claims appended hereto.

What is claimed is:

1. An injection port for injecting fluids into a body, said port comprising:

- a. a housing for placement beneath the skin of the body, said housing including means for receiving a needle;
- b. at least one retention member integrally attached to said housing, said at least one retention member having an undeployed state when disposed in a first position relative to said housing and a deployed state engaging tissue adjacent said housing when disposed in a second position relative to said housing.

2. The port of claim 1, wherein said at least one retention member is configured to move from said first position to said second position without being deformed.

3. The port of claim 2, wherein said at least one retention member is rotates about a respective axis as said retention member moves from said first position to said second position.

4. The port of claim 3, wherein said axis extends in a radial direction.

5. The port of claim 3, wherein said axis extends in a tangential direction.

6. The port of claim 5, wherein said retention member includes a locking member distal said axis, said locking member configured to engage said housing so as to maintain said retention member in said deployed state.

7. The port of claim 3, wherein said at least one retention member comprises an arcuate portion.

8. The port of claim 7, wherein said arcuate portion terminates in a tip which is configured to penetrate the tissue.

9. The port of claim 1, wherein said at least one retention member is elastically deformed when in said first position and returns toward its natural non-deformed configuration in moving from said first position to said second position.

10. The port of 9, wherein said at least one retention member is in its natural non-deformed configuration when disposed at said second position.

11. The port of claim 9, wherein each of said at least one retention member comprises a respective a radially extending element.

12. The port of claim 11, wherein said element comprises a wire extending from said housing, said wire being configured as a coil and having super elastic properties.

13. The port of claim 12, wherein said housing includes a lower surface, said wire extending from said lower surface.

14. An injection port for injecting fluids into a body, said port comprising:

- a. a housing for placement beneath the skin of the body, said housing including means for receiving a needle;
- b. a plurality of retention members integrally attached to said housing, each said retention member respectively having an undeployed state when disposed in a first position relative to said housing and a deployed state engaging tissue adjacent said housing when disposed in a second position relative to said housing, each said retention member being rotatable about a respective axis to move between said first position and said second position.

15. The port of claim 14, wherein said housing includes a flange, each said retention member being rotatably supported by said flange.

16. The port of claim 15, wherein said flange comprises respective flange portions which rotatably support a respective retention member.

17. The port of claim 14, wherein each said retention member is supported by a respective pin which defines said respective axis.

18. The port of claim 17, wherein said housing comprises a respective support for each said retention member which carries said respective pin of that retention member.

19. The port of claim 18, wherein each said respective support comprises a pair of spaced apart members which

define a respective gap therebetween, said respective retention member being disposed in said gap.

20. The port of claim 18, wherein said housing includes a respective flange portion for each said respective support, said respective flange carrying said respective support.

21. The support of claim 18, wherein said support is configured to prevent said retention member from rotating freely.

22. The port of claim 14, wherein said retention member respective comprise an arcuate portion terminating in a tip configured to penetrate the tissue.

23. The port of claim 14, wherein each said respective axis is oriented tangential to said housing.

24. The port of claim 14, wherein each said respective axis is oriented radially relative to said housing.

25. An injection port for injecting fluids into a body, said port comprising:

- a. a housing for placement beneath the skin of the body, said housing including means for receiving a needle;
- b. a plurality of retention members integrally attached to said housing, each said retention member having an undeployed state when disposed in a first position relative to said housing and a deployed state engaging tissue adjacent said housing when disposed in a second position relative to said housing, each said retention member being elastically deformed in said first position.

26. The port of claim 25, wherein each said retention member comprises a radially extending element having super elastic properties.

27. The port of claim 26, wherein each said retention member comprises a coiled wire.

28. The port of claim 26, wherein said housing includes a lower surface, each respective retention member extending from said lower surface.

29. The port of claim 25 wherein said housing includes a lower surface, each respective retention member extending from said lower surface.

30. An injection port for injecting fluids into a body, said port comprising:

- a. a housing for placement beneath the skin of the body, said housing including means for receiving a needle, said housing including a lower surface;
- b. a retention member integrally attached to said housing, said retention member being rotatably moveable about an axis to a deployed state having a first position proximal said lower surface engaging tissue between said retention member and said lower surface.

31. The port of claim 30, wherein said axis is adjacent to and oriented tangentially to said lower surface.

32. The port of claim 30, wherein said axis is adjacent to and oriented vertically with respect to said lower surface.

33. The port of claim 30, wherein said retention member includes a locking member configured to engage said housing so as to maintain said retention member in said deployed state.

34. The port of claim 33, wherein said locking member is configured to penetrate tie tissue.

35. The port of claim 33, wherein said housing includes an opening configured to receive said locking member.

36. The port of claim 30, wherein said housing includes an annular flange extending outwardly therefrom proximal said lower surface, said retention member being rotatably connected to said annular flange.

37. The port of claim 36, wherein said retention member is shaped complementarily to said annular flange.

* * * * *