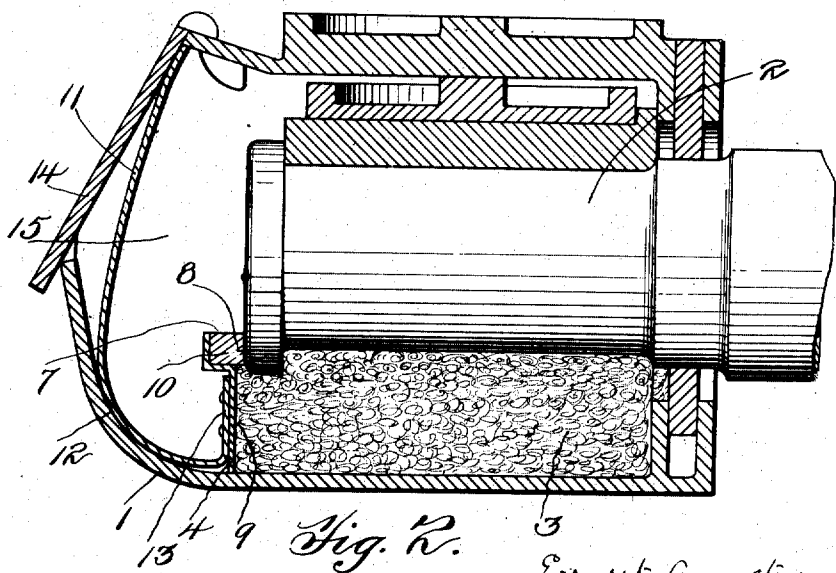
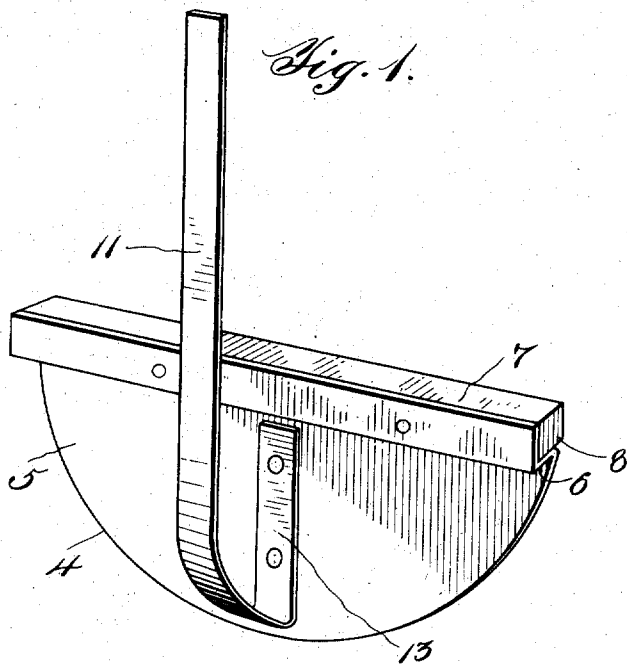


E. ARMSTRONG.  
WASTE HOLDER OR CHECK FOR JOURNAL BOXES.  
APPLICATION FILED DEC. 16, 1916.

1,232,644.

Patented July 10, 1917.



*Fig. 2.*

Ernest Armstrong *Inventor*

# UNITED STATES PATENT OFFICE.

ERNEST ARMSTRONG, OF MERCHANTVILLE, NEW JERSEY.

WASTE HOLDER OR CHECK FOR JOURNAL-BOXES.

1,232,644.

Specification of Letters Patent.

Patented July 10, 1917.

Application filed December 16, 1916. Serial No. 137,349.

*To all whom it may concern:*

Be it known that I, ERNEST ARMSTRONG, a citizen of the United States, residing at Merchantville, in the county of Camden and State of New Jersey, have invented certain new and useful Improvements in Waste Holders or Checks for Journal-Boxes, of which the following is a specification.

This invention relates to a waste holder or check for journal boxes and has for its object to provide means for holding the waste in a journal box directly under the journal.

Another object of the invention is to provide means for reducing the quantity of waste necessary for use in a journal box.

A still further object of the invention is to provide means for protecting the waste in a journal box, from grit, dust and other foreign matter which may enter the journal box.

With the above and other objects in view, I have invented the device shown, in the accompanying drawing, in which—

Figure 1 is a perspective view of the waste check, and

Fig. 2 is a sectional view of a journal box showing the application of my invention.

Like reference characters indicate like parts throughout the following specification and in the views in the drawings, in which 1 indicates a journal box of the common type used on railway cars, and 2 is the journal projecting thereinto. The waste 3 is held in place under the journal by means of my waste check, 4 which consists of a plate 5 shaped to fit the contour of the lower part of the journal box and in the present instance is semi-circular with its upper horizontal edge off-set to form a seat 6, for a wood bearing member 7 on one side 8, of which projects beyond the inner surface 9, of the plate 5, and against the end 10, of the journal 2, whereby the metal plate 5, is held out of contact with the journal. A metal strip 11, shaped to the contour of the end 12, of the box 2, has a right angular end 13, riveted to the outer surface of plate five (5), whereby said plate is held firmly against the end of the journal, thus preventing the waste from moving forward, and keeping it free from grit, and dirt, which may enter through the door 14. Thus the journal is

protected from gritty substances which often cause hot boxes.

The check 4, also does away with the necessity of filling the entire outer part 15, of the box 2, with waste. While my waste check may be easily removed, or replaced at will, it does not interfere with an inspection, of the interior of the box, or stirring up the waste therein.

Having now described my invention, that which I claim to be new, and desire to procure by Letters Patent is:—

1. In a journal box, a check for holding the waste in position, said check consisting of a plate shaped to the transverse contour of the box means for holding the plate in position, and a wood edge member on said plate.

2. In a journal box, a check for holding the waste in position, said check consisting of a plate shaped to the transverse contour of the box, means for holding the plate in position, a wood edge member on said plate and a seat formed on the plate for said member.

3. In a journal box, a check for holding the waste in position, said check consisting of a plate shaped to the transverse contour of the box and means for holding the plate in position, said means consisting of a metallic strip.

4. In a journal box, a check for holding the waste in position, said check consisting of a plate shaped to the transverse contour of the box and means for holding the plate in position, said means consisting of a metallic strip shaped to seat against one end of said box.

5. In a journal box a check for holding the waste in position, said check consisting of a plate shaped to the transverse contour of the box and means for holding the plate in position, said means consisting of a metallic strip shaped to seat against one end of said box, and having one end fixed to said plate.

In testimony whereof I affix my signature in the presence of two witnesses.

ERNEST ARMSTRONG.

Witnesses:

ELSIE P. DUNN,  
THOMAS ROBINSON.

Copies of this patent may be obtained for five cents each, by addressing the "Commissioner of Patents, Washington, D. C."