

(21) Application No: 2214352.3
(22) Date of Filing: 30.09.2022

(71) Applicant(s):
Dyson Operations PTE. LTD.
3 Sentosa Gateway, Singapore 098544, Singapore

(72) Inventor(s):
Shan Siek Wong
I Made Artha Yoga Ajnyana
David James Evans
Bashar Mohammad Othman
Changli Liu
Yun Shwe Yee Kayw
Fong Kee Ching
Yian Mei Liew

(74) Agent and/or Address for Service:
Dyson Technology Limited
Intellectual Property Department, Tetbury Hill,
MALMESBURY, Wiltshire, SN16 0RP, United Kingdom

(51) INT CL:
A47L 9/28 (2006.01) A47L 11/00 (2006.01)

(56) Documents Cited:
WO 2022/182201 A1 US 20170209007 A1

(58) Field of Search:
INT CL A47L
Other: WPI, EPODOC, INTERNET

(54) Title of the Invention: Floor cleaning appliance
Abstract Title: Appliance for wet and dry cleaning

(57) An appliance comprising a main unit to which a wet cleaner head 10 is attachable. The main unit includes an airflow generator operable during use of the appliance in a first mode in which an airflow is generated and in a second mode in which an airflow is not generated; and a control module. The control module is configured to determine whether the wet cleaner head is attached to the main unit; and in response to determining that the wet cleaner head is attached to the main unit, control the airflow generator to operate in the second mode. The control module may be further configured to control the main unit to provide power to the wet cleaner head. The main unit may comprise a power supply for powering the airflow generator and the wet cleaner head. The main unit may comprise a terminal for providing power to a cleaner head attached to the main unit in use, configured to control the main unit so as to provide power to the terminal.

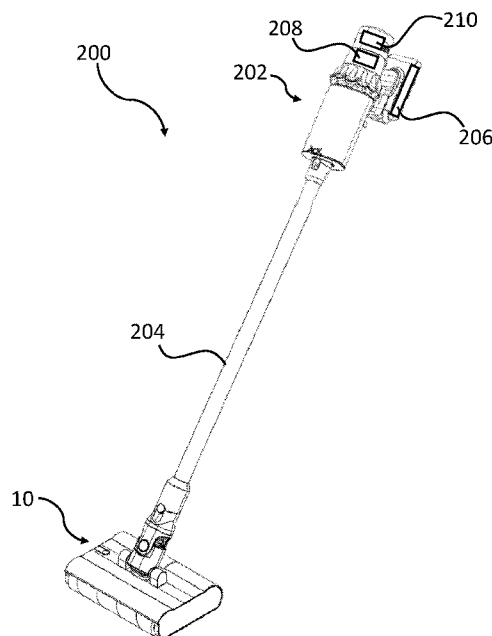


Fig. 13