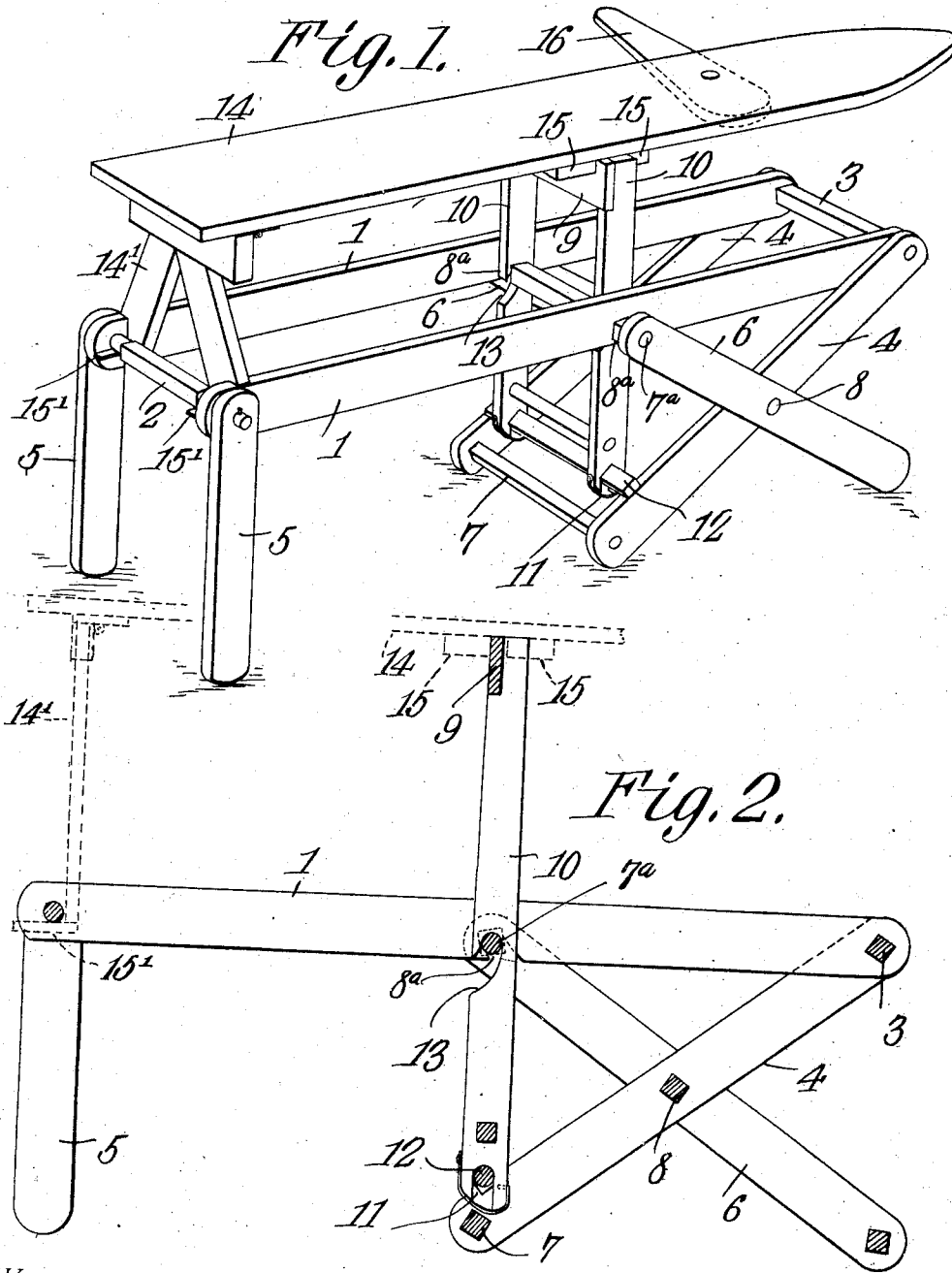


No. 853,998.

PATENTED MAY 21, 1907.

A. SCHEDIN.
COMBINED IRONING BOARD AND WASHBENCH.
APPLICATION FILED JAN. 21, 1907.



WITNESSES:
E. H. Stewart
G. Bradway

Alfred Schedin, INVENTOR.
By *C. A. Snowles*,
ATTORNEYS

UNITED STATES PATENT OFFICE.

ALFRED SCHEDIN, OF MOSCOW, IDAHO.

COMBINED IRONING-BOARD AND WASHBENCH.

No. 853,998.

Specification of Letters Patent.

Patented May 21, 1907.

Application filed January 21, 1907. Serial No. 353,343.

To all whom it may concern:

Be it known that I, ALFRED SCHEDIN, a citizen of the United States, residing at Moscow, in the county of Latah and State of Idaho, have invented a new and useful Combined Ironing-Board and Washbench, of which the following is a specification.

This invention relates to laundry appliances, and the object of the invention is to provide a device of simple foldable construction that will combine in a single structure a bench for supporting wash tubs, a vertical support for a wringer and an ironing board and support.

The invention consists in the novel construction, combination and arrangement of parts hereinafter described, claimed, and illustrated in the accompanying drawings, in which—

Figure 1 is a perspective view of a device constructed in accordance with this invention. Fig. 2 is a longitudinal sectional view of the same with the ironing board detached.

Referring to the drawings, the longitudinal horizontal spaced side bars 1—1 are joined together at opposite ends by the cross-bars 2—3 forming an open table or bench top, constituting the main frame of the device. The ends of the cross bars 2—3 are extended through the side bars to form pivotal connections for the legs 4—4 and 5—5, which together with the secondary legs 6—6 form the support of the device. The said legs 4—4 are connected together at their lower ends by means of the cross-bar 7 and they are also connected by the cross-bar 8 which is positioned intermediate of the ends of the legs and extends outwardly through the sides thereof to form a pivotal connection with the central portions of the secondary legs 6—6. The upper extremities of the secondary legs 6—6 are joined by the cross-bar 7^a which is adapted to engage in recesses 8^a—8^a provided therefor in the under edges of the said side bars 1—1.

The vertical wringer board 9, which extends transversely of and conveniently above the bench top already described, is supported upon vertical standards 10—10 which are provided at their lower ends with longitudinal slots 11 and metallic yokes or loops closing the ends of said slots. Through said slots extends a cross-bar 12 which is rigidly secured to the legs 4 of the device, and supports the wringer standards. The said slots in the wringer standards are deeper than the diameter of the supporting cross-bar and per-

mit of the longitudinal movement of the standards upon the bar; and the wringer standards are notched, as at 13, intermediately of their ends so as to be slid into engagement with the said cross-bar 7^a of the said supporting legs 6 and to be held securely in vertical positions.

The ironing board 14 is centrally provided upon its under surface with the two transverse cleats 15 forming a recess for the admission of the top edge of the wringer board; and the board is further provided at the end thereof with the legs 14' hinged to the under surface. The said legs 14' are notched to fit over the upper edges of the side bars 1 and have downwardly and horizontally extending hooks 15' from the ends thereof adapted to engage against the under surface of the cross-bar 2 so as to prevent either an upward or a downward movement thereof.

The ironing board is provided with an auxiliary board 16 pivotally secured to the under face thereof and adapted to be swung so as to form a lateral extension from the main board or to be swung in under the main board when not in use.

When it is desired to use the device as a wash bench the ironing board is detached and a tub may be placed upon each side of the frame and a wringer may be attached to the wringer board so that clothes may be passed from one tub through the wringer and be permitted to fall in the other tub.

It is evident that when the device is not in use it may be easily and quickly folded so as to be stored in a small space.

What is claimed is:—

1. In a device of the character set forth, a main frame, legs pivotally secured at each end of said frame, secondary legs pivotally secured to the legs at one end of said frame, means for securing said secondary legs to said frame, standards pivotally secured to the legs at one end of said frame, a wringer board upon said standards, and means for securing said standards in vertical position.

2. In a device of the character set forth, a main frame, legs pivotally secured at each end of said frame, secondary legs pivotally secured to the legs at one end of said frame, a cross-bar connecting the upper ends of said secondary legs adapted and arranged to engage in a recess provided therefor in the said frame, standards pivotally and slidably secured to the legs at one end of the frame and provided with notches adapted to slidingly

receive the said cross-bar to hold the standards in vertical alinement, and a wringer board supported by said standards.

3. In a device of the character set forth, a
5 main frame, vertically disposed legs pivotally secured to one end of said frame, a second set of legs pivotally secured to the opposite end of said frame and extending inwardly at an inclination to said frame, a
10 cross-bar connecting the lower ends of said second set of legs, means for retaining said legs in an inclined position, standards pivotally supported by said cross-bar, means for removably securing the standards to the
15 frame in a vertical position, and a wringer board secured to said standards.

4. In a device of the character set forth, a
main frame, legs pivotally secured at one end
20 of said frame, a second set of legs secured to the opposite end of said frame, a cross bar at-

tached to the second set of legs near their lower ends and a set of secondary legs pivotally secured to said second set of legs, a cross-bar secured to said secondary set of legs engaging in a recess provided therefor in said
25 frame, standards pivotally and slidably supported upon said first-mentioned cross-bar and provided with notches adapted and arranged to receive said second-mentioned cross-bar to hold said standards in vertical
30 alinement, and a wringer board supported by said standards.

In testimony that I claim the foregoing as my own, I have hereto affixed my signature in the presence of two witnesses.

ALFRED SCHEDIN.

Witnesses:

BEN E. BUSH,
KITTY A. NEAL.