

(21) Application No: **0816426.1**
(22) Date of Filing: **09.09.2008**
(30) Priority Data:
(31) **96217566** (32) **19.10.2007** (33) **TW**

(51) INT CL:
A47J 37/07 (2006.01)
(56) Documents Cited:
WO 1997/027792 A2 **US 2942921 A**
AU2005202318 A1
(58) Field of Search:
INT CL **A47J**
Other: **ONLINE: EPODOC, WPI, TXTE**

(71) Applicant(s):
Pro-Iroda Industries, Inc.
(Incorporated in Taiwan)
No 68 Kung Yeh 32nd Road, Industrial Park, Taichung,
Taiwan
(72) Inventor(s):
Jan Nan Chen
(74) Agent and/or Address for Service:
Alpha & Omega
Chine Croft, East Hill, OTTERY ST.MARY,
Devon, EX11 1PJ, United Kingdom

(54) Abstract Title: **Collapsible support stand for barbecue stove**

(57) A support stand for barbecue stove includes two table members 20, a plurality of support feet 10 and at least one leg brace means 40 pivotally connecting the table members to the support feet. Each leg brace means has a hinge (21,22), an actuating (44) device and a driving device (45) and connects the table members to the support feet. A user can operate the leg brace means to detach the driving device from the actuating device and hold handles (24) of the table members to upright the table members so that the driving device can move downward quickly and the support stand will be collapsible quickly. The table members further include a plurality of receptacles (25) formed thereon and adapted for receiving the feet of barbecue stove 1 so that the barbecue stove can be disposed on the table members stably.

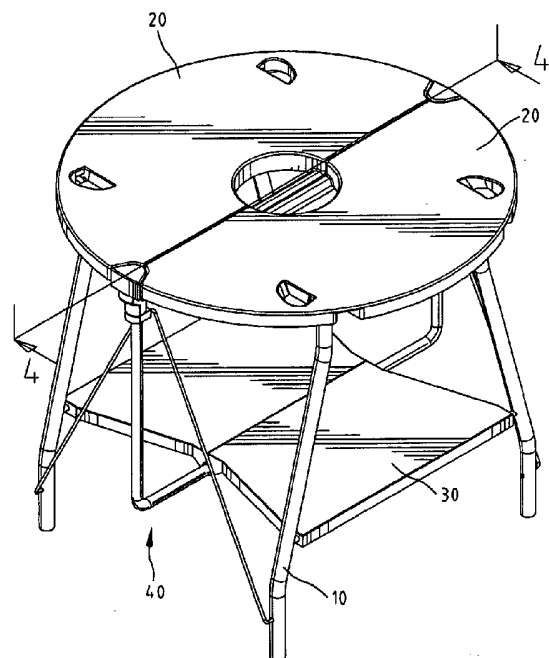


Fig.1