



(12) **United States Design Patent**
Wang

(10) **Patent No.:** **US D1,030,399 S**
(45) **Date of Patent:** **** Jun. 11, 2024**

(54) **BARBECUE GRILL**
(71) Applicant: **Haohong Electric Technology (Hubei) Co., Ltd.**, Huanggang (CN)
(72) Inventor: **Min Wang**, Huanggang (CN)
(73) Assignee: **Haohong Electric Technology (Hubei) Co., Ltd.**, Huanggang (CN)
(**) Term: **15 Years**
(21) Appl. No.: **29/825,042**

5,307,797 A * 5/1994 Kleefeld A47J 33/00 126/30
D369,939 S * 5/1996 Gibbs D7/335
5,819,718 A * 10/1998 Leiser A47J 33/00 126/30

(Continued)

OTHER PUBLICATIONS

Only Fire Outdoor Open Flam Camping Grill, available in Amazon.com, date first available Dec. 8, 2021, site visited date Sep. 27, 2023, Available from the internet URL: <https://www.amazon.com/dp/B09N97VNFT/ref=sspa_dk_detail_2?psc=1&pd_rd_i=B09N97VNFT&pd_rd_w> (Year: 2021).*

Primary Examiner — Andrew Kerr
Assistant Examiner — Courtney J Clark-Rasheed
(74) *Attorney, Agent, or Firm* — Westbridge IP LLC

(22) Filed: **Jan. 28, 2022**
(51) **LOC (14) Cl.** **07-02**
(52) **U.S. Cl.**
USPC **D7/339**
(58) **Field of Classification Search**
USPC D7/334, 402, 403, 409
CPC .. A47J 37/00; A47J 37/06; A47J 37/07; A47J 37/079; A47J 37/0623; A47J 37/0682; A47J 37/0704; A47J 37/0718; A47J 37/0763; A47J 37/0781; A47J 37/0786; A47J 2202/00; F24C 3/14; F24C 3/00; F24C 5/00

(57) **CLAIM**

The ornamental design for a barbecue grill, as shown and described.

See application file for complete search history.

DESCRIPTION

FIG. 1 is a top perspective view of a barbecue grill showing my new design;
FIG. 2 is a bottom perspective view thereof;
FIG. 3 is a front elevation view thereof;
FIG. 4 is a rear elevation view thereof;
FIG. 5 is a left side elevation view thereof;
FIG. 6 is a right side elevation view thereof;
FIG. 7 is a top plan view thereof;
FIG. 8 is a bottom plan view thereof;
FIG. 9 is a reference view in a disassembled state thereof; and,
FIG. 10 is a partial enlarged view taken from circle 10 in FIG. 2.

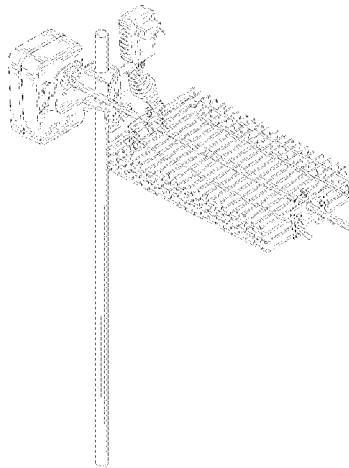
The dash-dash broken lines in the drawings depict the portions of the barbecue grill which form no part of the claimed design.

(Continued)

(56) **References Cited**

U.S. PATENT DOCUMENTS

2,774,295 A * 12/1956 Watkins A47J 37/10 99/425
2,977,953 A * 4/1961 Dowdy A47J 37/0763 126/30
D191,186 S * 8/1961 Maki D7/336
4,351,312 A * 9/1982 Ivy F24B 1/205 126/30
4,538,589 A * 9/1985 Preston A47J 33/00 126/30
4,553,525 A * 11/1985 Ruble A47J 37/0772 126/30



The dot-dash broken lines in the drawings are included for the purpose of depicting the partial enlarged views.

1 Claim, 10 Drawing Sheets

(56)

References Cited

U.S. PATENT DOCUMENTS

6,105,569	A *	8/2000	Andress	A47J 33/00 126/30
6,578,568	B1 *	6/2003	Dufort	F24B 1/205 126/30
D928,560	S *	8/2021	McEwan	D7/409
D961,321	S *	8/2022	Lam	D7/334
2018/0360266	A1 *	12/2018	Lee	A47J 37/044
2020/0077840	A1 *	3/2020	White	A47J 37/0763
2022/0408971	A1 *	12/2022	Leng	A47J 37/0786

* cited by examiner

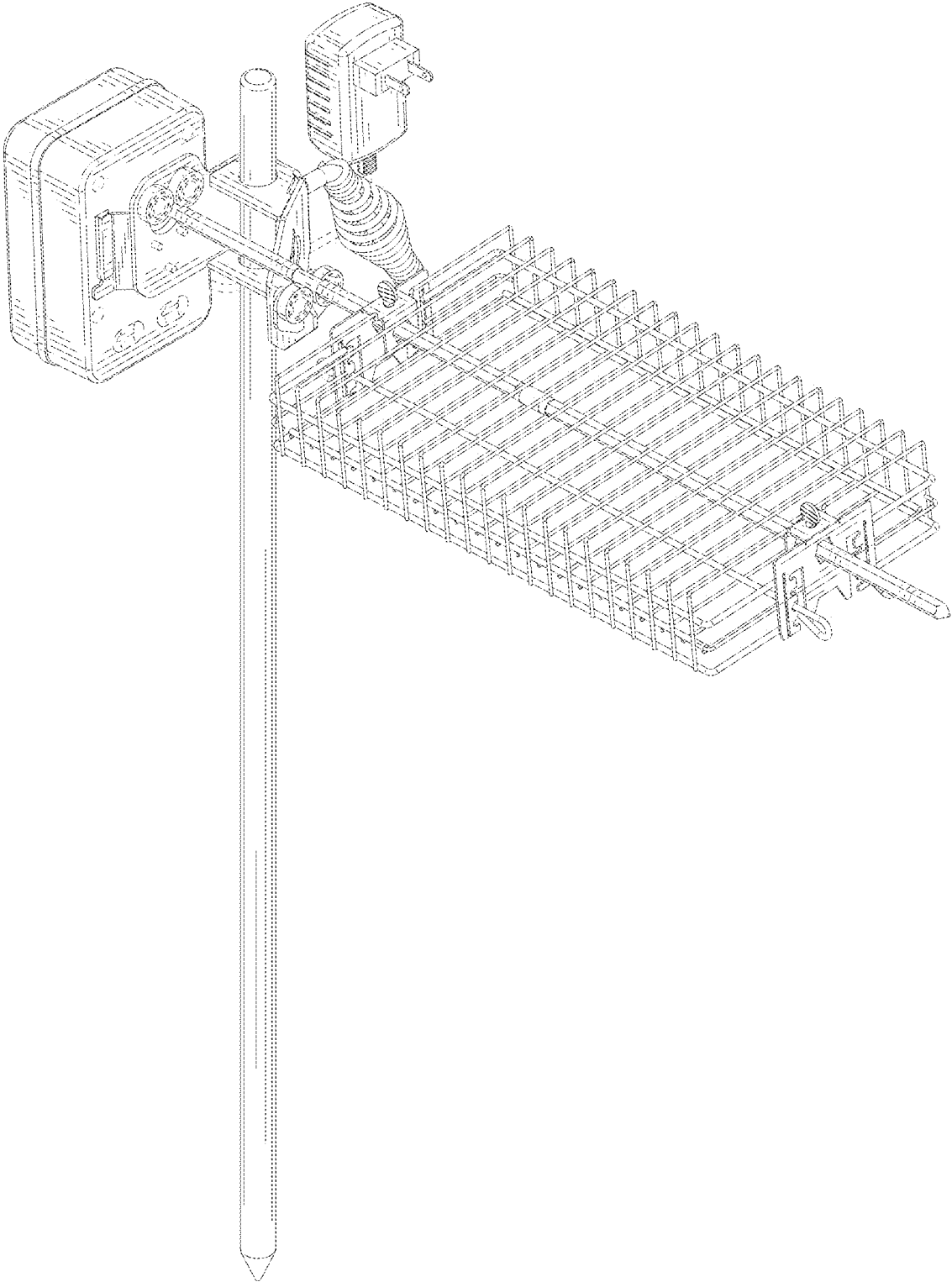


FIG. 1

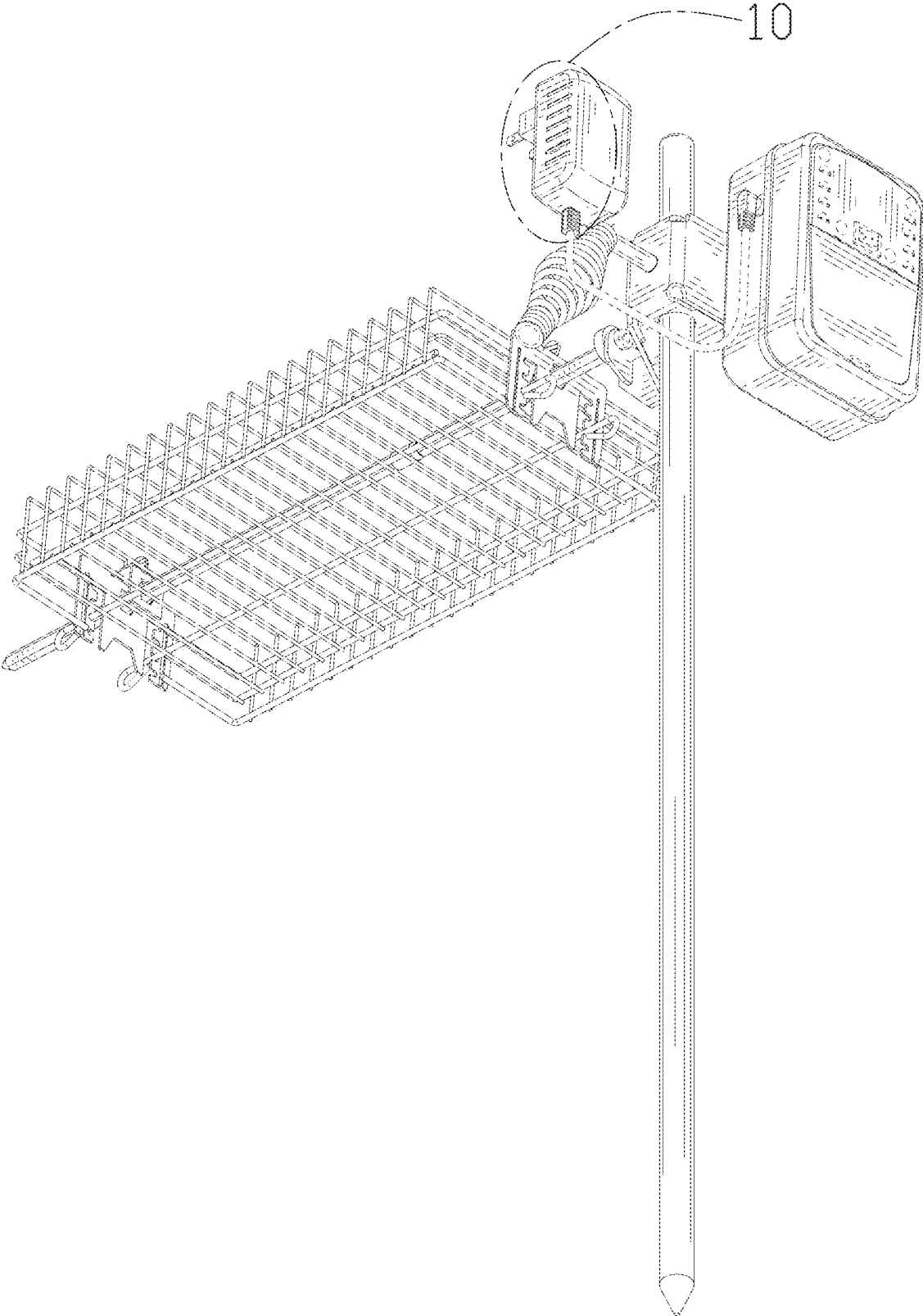


FIG. 2

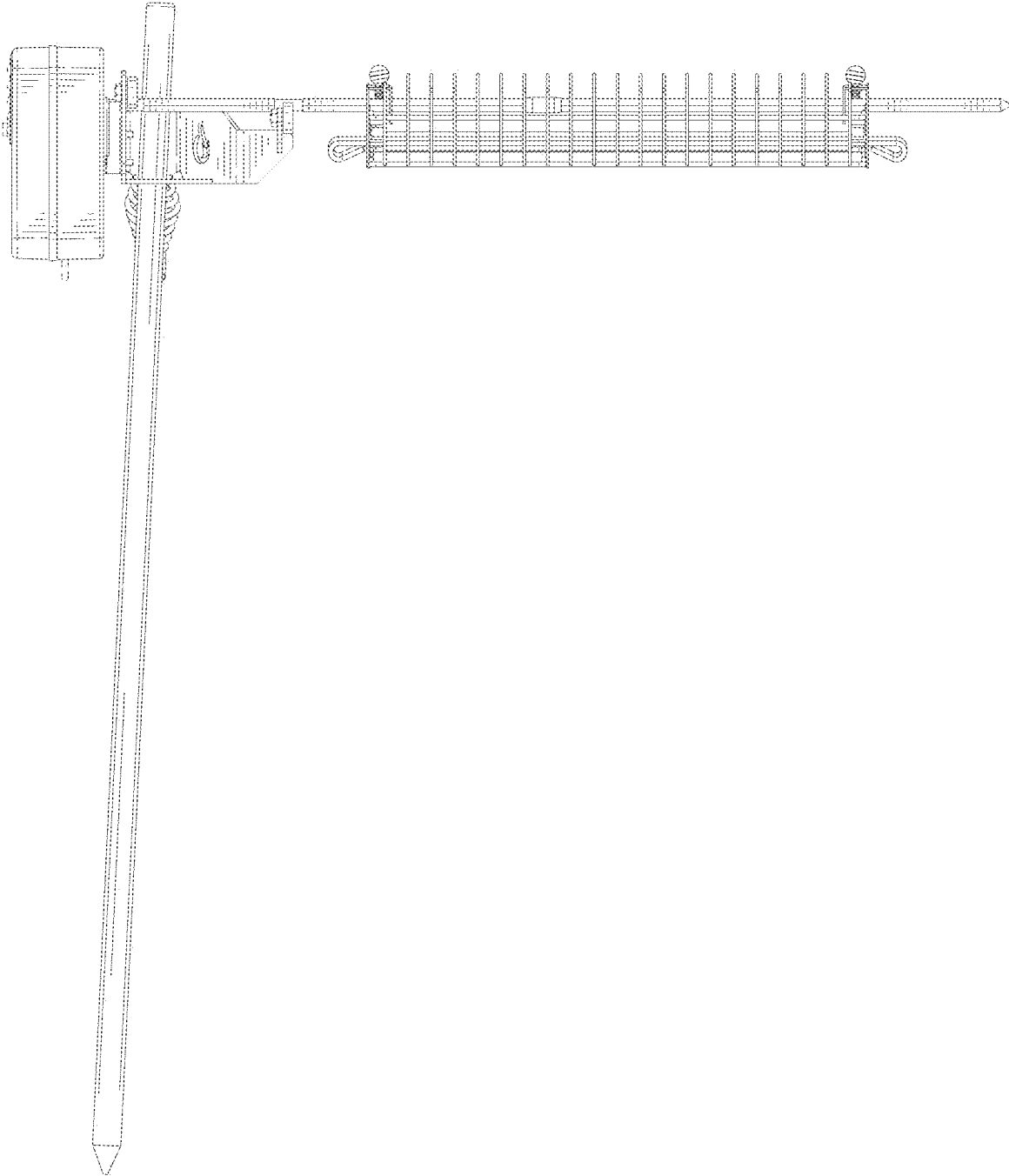


FIG. 3

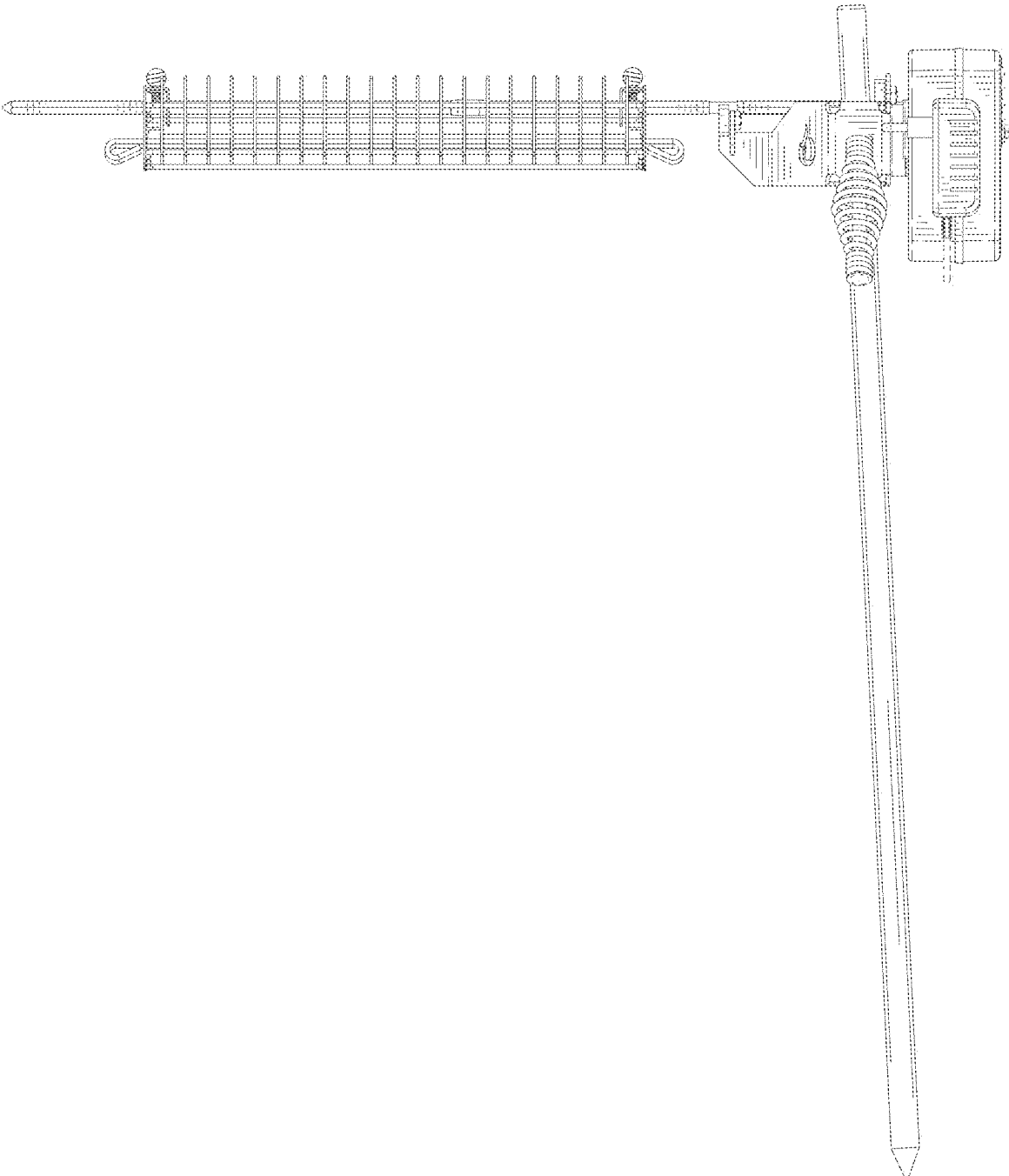


FIG. 4

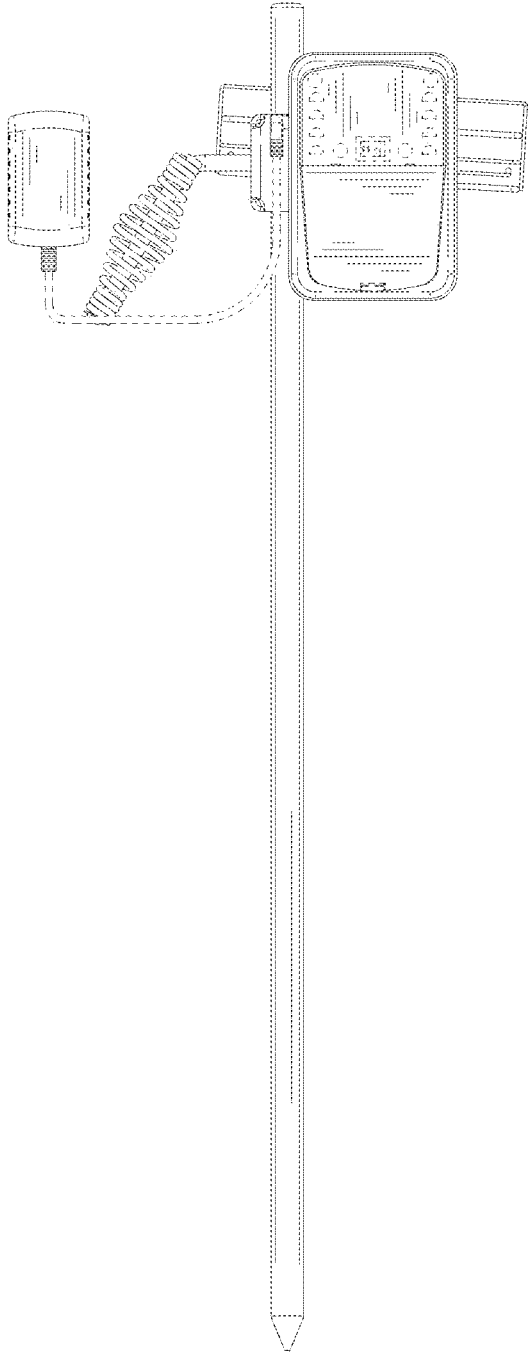


FIG. 5

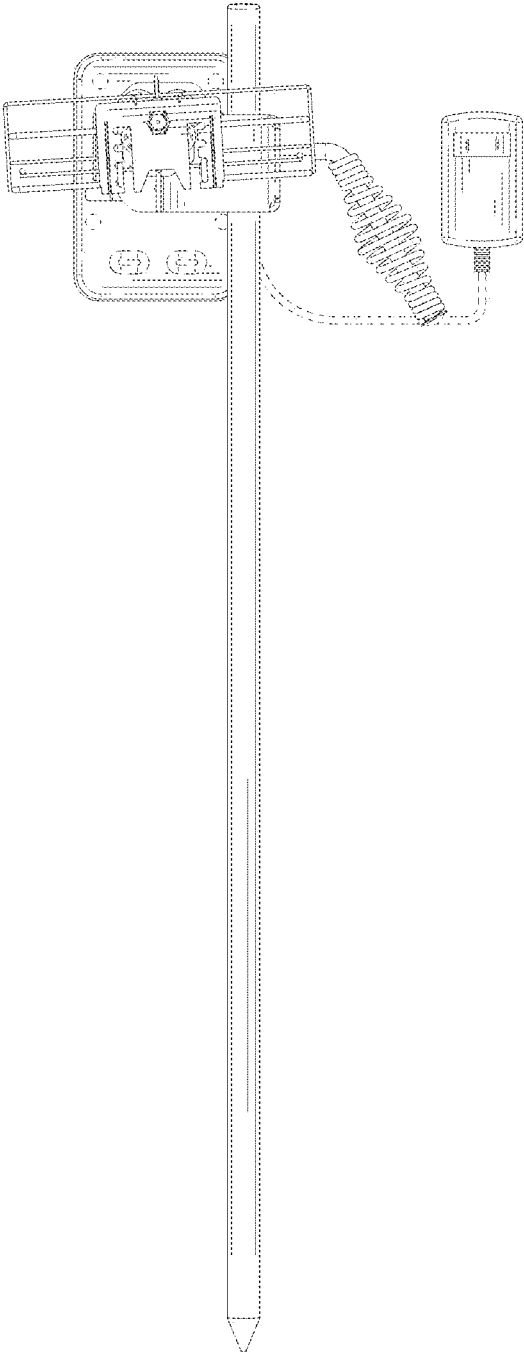


FIG. 6

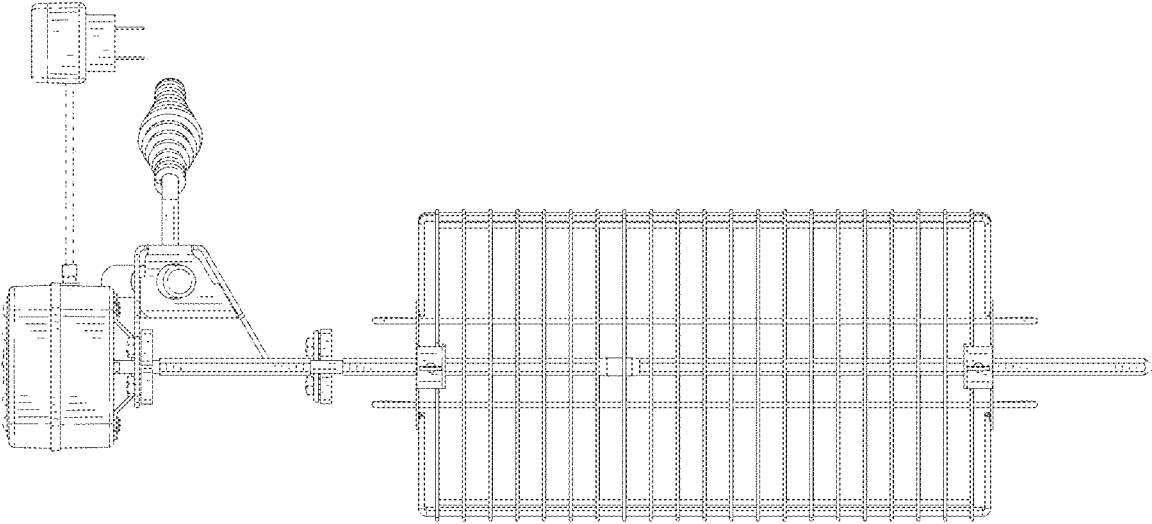


FIG. 7

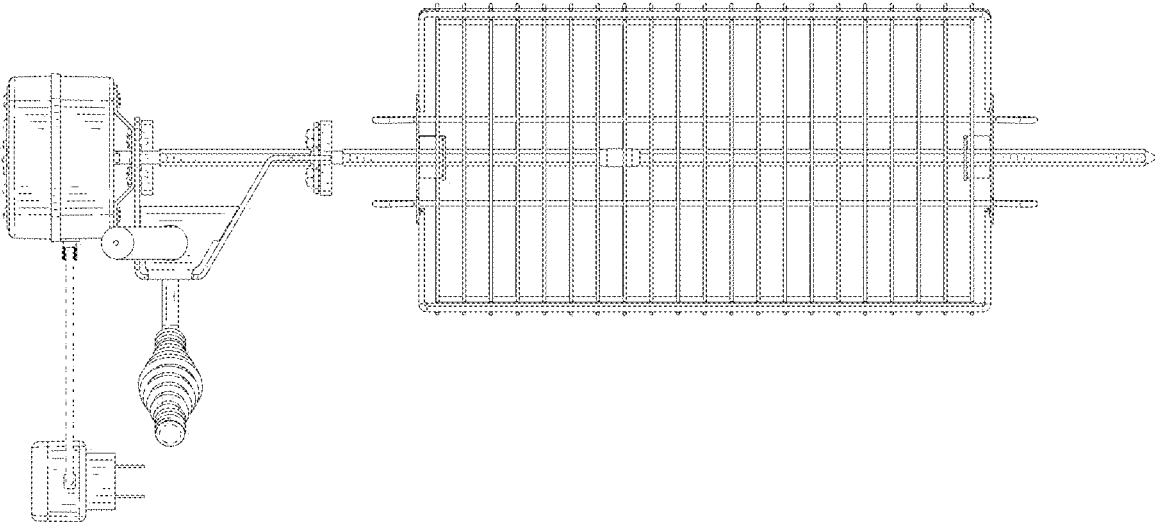


FIG. 8

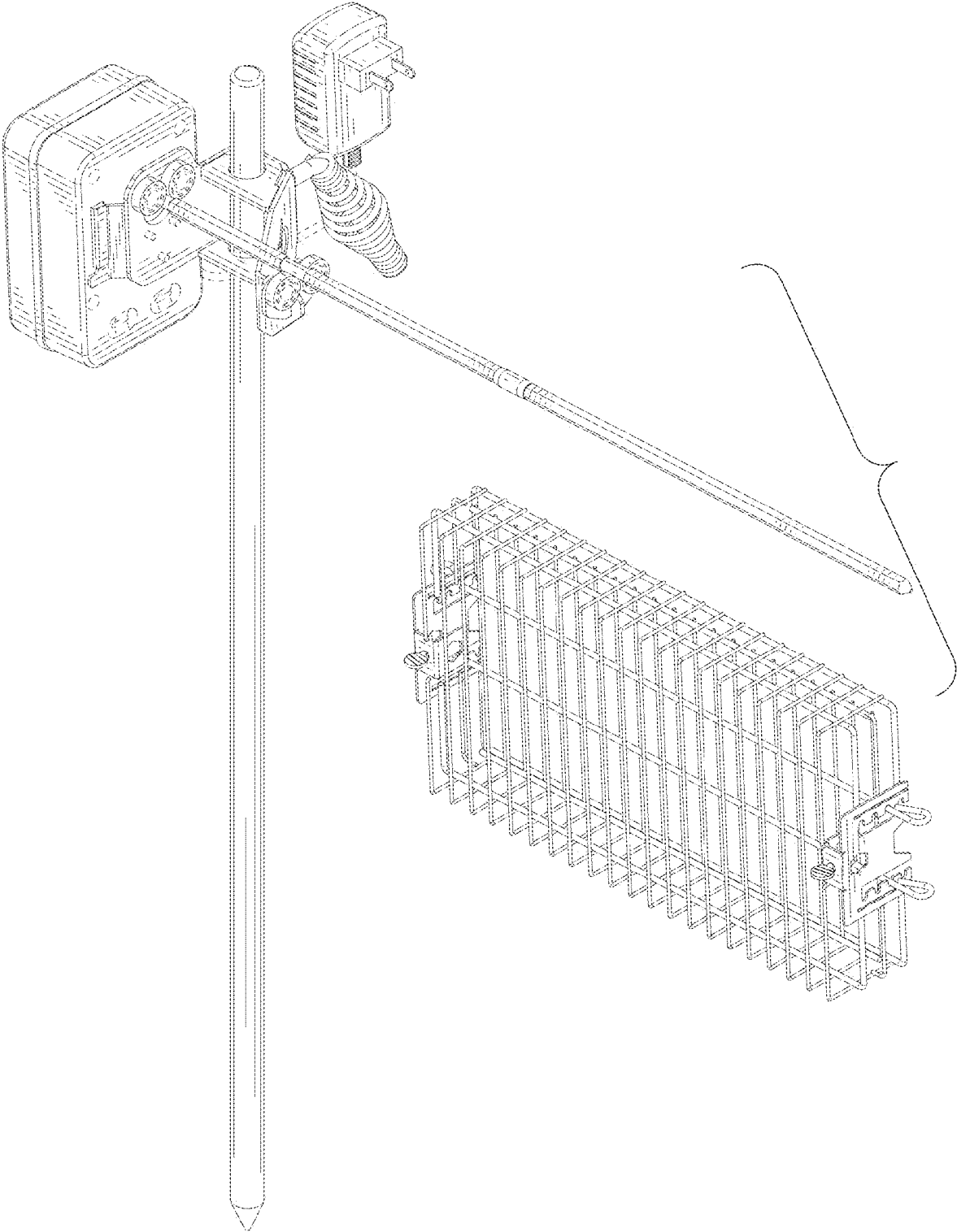


FIG. 9

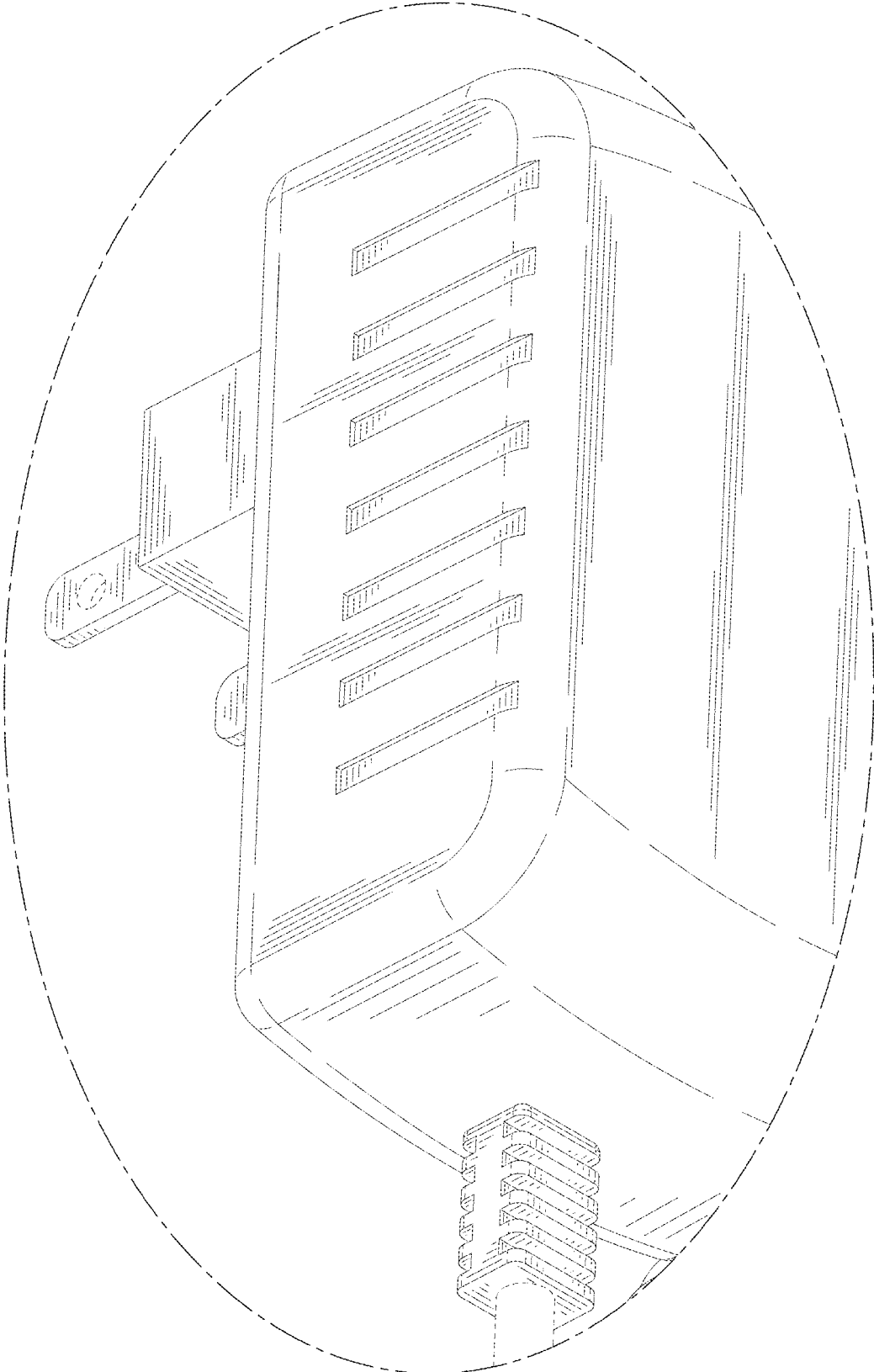


FIG. 10