



US007901437B2

(12) **United States Patent**  
**Jackson**

(10) **Patent No.:** **US 7,901,437 B2**  
(45) **Date of Patent:** **Mar. 8, 2011**

(54) **DYNAMIC STABILIZATION MEMBER WITH MOLDED CONNECTION**

(76) Inventor: **Roger P. Jackson**, Prairie Village, KS (US)

(\* ) Notice: Subject to any disclaimer, the term of this patent is extended or adjusted under 35 U.S.C. 154(b) by 562 days.

(21) Appl. No.: **12/008,067**

(22) Filed: **Jan. 8, 2008**

(65) **Prior Publication Data**

US 2008/0183216 A1 Jul. 31, 2008

**Related U.S. Application Data**

(60) Provisional application No. 60/897,723, filed on Jan. 26, 2007.

(51) **Int. Cl.**  
**A61B 17/56** (2006.01)

(52) **U.S. Cl.** ..... **606/278**

(58) **Field of Classification Search** ..... 606/278,  
606/246, 301, 250, 253, 252, 257, 267, 305,  
606/254, 279

See application file for complete search history.

(56) **References Cited**

U.S. PATENT DOCUMENTS

- 2,243,717 A 5/1941 Moreira
- 3,236,275 A 2/1966 Smith
- 3,604,487 A 9/1971 Gilbert
- 3,640,416 A 2/1972 Temple
- 4,041,939 A 8/1977 Hall
- 4,373,754 A 2/1983 Bollfrass et al.
- 4,448,191 A 5/1984 Rodnyansky et al.
- 4,484,570 A 11/1984 Sutter et al.
- 4,600,224 A 7/1986 Blose
- 4,653,486 A 3/1987 Coker

- 4,703,954 A 11/1987 Ortloff et al.
- 4,707,001 A 11/1987 Johnson
- 4,743,260 A 5/1988 Burton
- 4,748,260 A 5/1988 Marlett
- 4,836,196 A 6/1989 Park et al.
- 4,887,596 A 12/1989 Sherman
- 4,946,458 A 8/1990 Harms et al.
- 4,950,269 A 8/1990 Gaines, Jr.
- 5,005,562 A 4/1991 Cotrel
- 5,022,791 A 6/1991 Isler
- 5,034,011 A 7/1991 Howland
- 5,067,955 A 11/1991 Cotrel
- 5,092,635 A 3/1992 DeLange et al.
- 5,102,412 A 4/1992 Rogozinski
- 5,129,388 A 7/1992 Vignaud et al.

(Continued)

FOREIGN PATENT DOCUMENTS

DE 9202745.8 4/1992

(Continued)

OTHER PUBLICATIONS

*EBI Omega 21 Brochure*, EBI Spine Systems, pub. 1999.

(Continued)

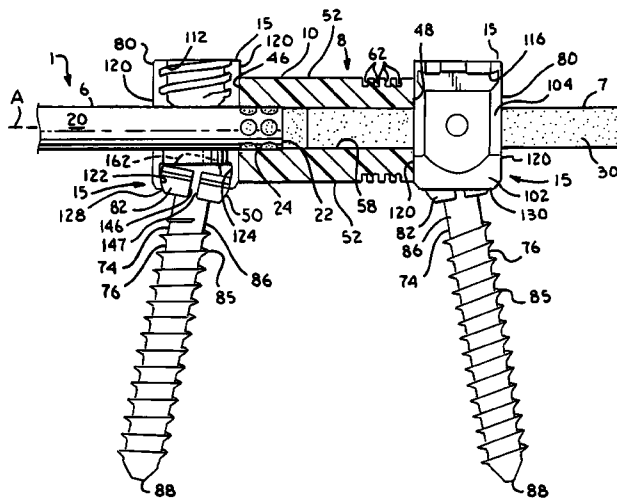
*Primary Examiner* — Pedro Philogene

(74) *Attorney, Agent, or Firm* — John C. McMahon

(57) **ABSTRACT**

A dynamic fixation medical implant having at least two bone anchors includes a longitudinal connecting member assembly having at least one transition portion and cooperating outer sleeve, both the transition portion and sleeve being disposed between the two bone anchors. The transition portion includes a rigid length or rod having apertures therein and a molded plastic length that extends through the apertures, thus attaching the plastic length to the rigid length. The sleeve surrounds the transition portion and extends between the pair of bone anchors, the sleeve being compressible in a longitudinal direction between the bone anchors.

**15 Claims, 4 Drawing Sheets**



U.S. PATENT DOCUMENTS					
5,147,363 A	9/1992	Harle	5,733,286 A	3/1998	Errico et al.
5,154,719 A	10/1992	Cotrel	5,738,685 A	4/1998	Halm et al.
5,176,483 A	1/1993	Baumann et al.	5,741,254 A	4/1998	Henry et al.
5,176,678 A	1/1993	Tsou	5,752,957 A	5/1998	Ralph et al.
5,176,680 A	1/1993	Vignaud et al.	5,782,833 A	7/1998	Haider
5,180,393 A	1/1993	Commarmond	5,797,911 A	8/1998	Sherman et al.
5,201,734 A *	4/1993	Cozad et al. .... 606/62	5,800,435 A	9/1998	Errico et al.
5,207,678 A	5/1993	Harms et al.	5,800,547 A	9/1998	Schafer et al.
5,217,497 A	6/1993	Mehdian	5,817,094 A	10/1998	Errico et al.
5,257,993 A	11/1993	Asher et al.	5,863,293 A	1/1999	Richelsof
5,261,907 A	11/1993	Vignaud et al.	5,876,402 A	3/1999	Errico et al.
5,261,912 A	11/1993	Frigg	5,879,350 A	3/1999	Sherman et al.
5,275,601 A	1/1994	Gogolewski et al.	5,879,351 A	3/1999	Viard
5,282,863 A	2/1994	Burton	5,882,350 A	3/1999	Ralph et al.
5,306,275 A	4/1994	Bryan	5,885,286 A	3/1999	Sherman et al.
5,312,404 A	5/1994	Asher et al.	5,891,145 A	4/1999	Morrison et al.
5,321,901 A	6/1994	Kelly	RE36,221 E	6/1999	Breard et al.
5,346,493 A	9/1994	Stahurski et al.	5,944,465 A	8/1999	Janitzki
5,358,289 A	10/1994	Banker et al.	5,954,725 A	9/1999	Sherman et al.
5,360,431 A	11/1994	Puno et al.	5,961,517 A	10/1999	Biedermann et al.
5,375,823 A	12/1994	Navas	5,964,760 A	10/1999	Richelsof
5,385,583 A	1/1995	Cotrel	6,001,098 A	12/1999	Metz-Stavenhagen et al.
5,395,371 A	3/1995	Miller et al.	6,004,349 A	12/1999	Jackson
5,415,661 A	5/1995	Holmes	6,010,503 A	1/2000	Richelsof et al.
5,423,816 A	6/1995	Lin	6,019,759 A	2/2000	Rogozinski
5,427,418 A	6/1995	Watts	6,022,350 A	2/2000	Ganem
5,429,639 A	7/1995	Judet	6,053,917 A	4/2000	Sherman et al.
5,443,467 A	8/1995	Biedermann et al.	6,059,786 A	5/2000	Jackson
5,466,237 A	11/1995	Byrd, III et al.	6,063,090 A	5/2000	Schlapfer
5,468,241 A	11/1995	Metz-Stavenhagen et al.	6,074,391 A	6/2000	Metz-Stavenhagen et al.
5,474,555 A	12/1995	Puno et al.	6,077,262 A	6/2000	Schlapfer et al.
5,476,462 A	12/1995	Allard et al.	6,086,588 A	7/2000	Ameil et al.
5,476,464 A	12/1995	Metz-Stavenhagen et al.	6,090,110 A	7/2000	Metz-Stavenhagen
5,480,401 A	1/1996	Navas	6,090,111 A	7/2000	Nichols
5,487,742 A	1/1996	Cotrel	6,099,528 A	8/2000	Saurat
5,489,307 A	2/1996	Kuslich et al.	6,102,913 A	8/2000	Jackson
5,490,750 A	2/1996	Gundy	6,110,172 A	8/2000	Jackson
5,496,321 A	3/1996	Puno et al.	6,113,601 A	9/2000	Tatar
5,499,892 A	3/1996	Reed	6,117,137 A	9/2000	Halm et al.
5,507,745 A	4/1996	Logroscino et al.	6,132,431 A	10/2000	Nilsson et al.
5,540,688 A	7/1996	Navas	6,132,432 A	10/2000	Richelsof
5,545,165 A	8/1996	Biedermann et al.	6,132,434 A	10/2000	Sherman et al.
5,554,157 A	9/1996	Errico et al.	6,136,002 A	10/2000	Shih et al.
5,562,663 A	10/1996	Wisniewski et al.	6,143,032 A	11/2000	Schafer et al.
5,569,247 A	10/1996	Morrison	6,146,383 A	11/2000	Studer et al.
5,569,251 A	10/1996	Baker et al.	6,183,472 B1	2/2001	Lutz
5,584,834 A	12/1996	Errico et al.	6,187,005 B1	2/2001	Brace et al.
5,586,984 A	12/1996	Errico et al.	RE37,161 E	5/2001	Michelson et al.
5,591,166 A	1/1997	Bernhardt et al.	6,224,596 B1	5/2001	Jackson
5,601,553 A	2/1997	Trebing et al.	6,224,598 B1	5/2001	Jackson
5,607,304 A	3/1997	Bailey et al.	6,235,034 B1	5/2001	Bray
5,607,425 A	3/1997	Rogozinski	6,241,730 B1	6/2001	Alby
5,607,426 A	3/1997	Ralph et al.	6,248,105 B1	6/2001	Schlapfer et al.
5,607,428 A	3/1997	Lin	6,254,146 B1	7/2001	Church
5,611,800 A	3/1997	Davis et al.	6,254,602 B1	7/2001	Justis
5,628,740 A	5/1997	Mullane	6,267,764 B1	7/2001	Elberg
5,630,817 A	5/1997	Rokegem	6,267,765 B1	7/2001	Taylor et al.
5,641,256 A	6/1997	Gundy	6,273,888 B1	8/2001	Justis
5,643,260 A	7/1997	Doherty	6,280,442 B1	8/2001	Barker et al.
5,643,261 A	7/1997	Schafer et al.	6,280,445 B1	8/2001	Morrison et al.
5,647,873 A	7/1997	Errico et al.	6,287,308 B1	9/2001	Betz et al.
5,662,652 A	9/1997	Schafer et al.	6,287,311 B1	9/2001	Sherman et al.
5,662,653 A	9/1997	Songer et al.	6,296,642 B1	10/2001	Morrison et al.
5,669,909 A	9/1997	Zdeblick et al.	6,296,643 B1	10/2001	Hopf et al.
5,669,911 A	9/1997	Errico et al.	6,299,613 B1	10/2001	Ogilvie et al.
5,672,175 A	9/1997	Martin	6,302,888 B1	10/2001	Mellinger et al.
5,672,176 A	9/1997	Biedermann et al.	6,309,391 B1	10/2001	Crandall et al.
5,681,319 A	10/1997	Biedermann et al.	6,315,564 B1	11/2001	Levisman
5,683,390 A	11/1997	Metz-Stavenhagen et al.	6,331,179 B1	12/2001	Freid et al.
5,690,630 A	11/1997	Errico et al.	6,355,040 B1	3/2002	Richelsof et al.
5,697,929 A	12/1997	Mellinger	RE37,665 E	4/2002	Ralph et al.
5,711,709 A	1/1998	McCoy	6,368,321 B1	4/2002	Jackson
5,713,898 A	2/1998	Stucker et al.	6,402,752 B2	6/2002	Schaffler-Wachter et al.
5,716,356 A	2/1998	Biedermann et al.	6,402,757 B1	6/2002	Moore et al.
5,723,013 A	3/1998	Jeanson et al.	6,440,137 B1	8/2002	Horvath et al.
5,725,527 A	3/1998	Biedermann et al.	6,451,021 B1	9/2002	Ralph et al.
5,725,528 A	3/1998	Errico et al.	6,471,703 B1	10/2002	Ashman
5,728,098 A	3/1998	Sherman et al.	6,471,705 B1	10/2002	Biedermann et al.
			6,485,491 B1	11/2002	Farris et al.

6,485,492	B1	11/2002	Halm et al.	6,869,433	B2	3/2005	Glascott
6,485,494	B1	11/2002	Haider	6,872,208	B1	3/2005	McBride et al.
6,488,681	B2	12/2002	Martin et al.	6,896,676	B2	5/2005	Zubok et al.
6,508,818	B2	1/2003	Steiner et al.	6,932,817	B2	8/2005	Baynham et al.
6,520,962	B1	2/2003	Taylor et al.	6,932,820	B2	8/2005	Osman
6,527,804	B1	3/2003	Gauchet et al.	6,945,972	B2	9/2005	Frigg et al.
6,530,929	B1	3/2003	Justis et al.	6,953,462	B2	10/2005	Lieberman
6,533,786	B1	3/2003	Needham et al.	6,955,677	B2	10/2005	Dahners
6,540,749	B2	4/2003	Schafer et al.	6,958,065	B2	10/2005	Ueyama et al.
6,547,790	B2	4/2003	Harkey, III et al.	6,964,664	B2	11/2005	Freid et al.
6,551,320	B2	4/2003	Lieberman	6,964,665	B2	11/2005	Thomas et al.
6,551,323	B2	4/2003	Doubler et al.	6,964,667	B2	11/2005	Shaolian et al.
6,554,831	B1	4/2003	Rivard et al.	6,966,910	B2	11/2005	Ritland
6,554,832	B2	4/2003	Shluzas	6,974,460	B2	12/2005	Carbone et al.
6,554,834	B1	4/2003	Crozet et al.	6,979,334	B2	12/2005	Dalton
6,558,387	B2	5/2003	Errico et al.	6,981,973	B2	1/2006	McKinley
6,562,040	B1	5/2003	Wagner	6,986,771	B2	1/2006	Paul et al.
6,565,565	B1	5/2003	Yuan et al.	6,989,011	B2	1/2006	Paul et al.
6,565,567	B1	5/2003	Haider	6,991,632	B2	1/2006	Ritland
6,582,436	B2	6/2003	Schlapfer et al.	RE39,035	E	3/2006	Finn et al.
6,582,466	B1	6/2003	Gauchet	7,008,424	B2	3/2006	Teitelbaum
6,585,740	B2	7/2003	Schlapfer et al.	7,018,378	B2	3/2006	Biedermann et al.
6,595,992	B1	7/2003	Wagner et al.	7,018,379	B2	3/2006	Drewry et al.
6,595,993	B2	7/2003	Donno et al.	7,029,475	B2	4/2006	Panjabi
6,610,063	B2	8/2003	Kumar et al.	7,125,410	B2	10/2006	Freudiger
6,613,050	B1	9/2003	Wagner et al.	7,137,985	B2	11/2006	Jahng
6,623,485	B2	9/2003	Doubler et al.	7,207,992	B2	4/2007	Ritland
6,626,907	B2	9/2003	Campbell et al.	7,229,441	B2	6/2007	Trieu et al.
6,626,908	B2	9/2003	Cooper et al.	7,294,129	B2	11/2007	Hawkins et al.
6,635,059	B2	10/2003	Randall et al.	7,326,210	B2*	2/2008	Jahng et al. .... 606/86 A
6,648,885	B1	11/2003	Friesem	7,559,942	B2*	7/2009	Paul et al. .... 606/250
6,648,887	B2	11/2003	Ashman	7,758,618	B2*	7/2010	Walder et al. .... 606/246
6,652,765	B1	11/2003	Beaty	2001/0001119	A1	5/2001	Lombardo
6,656,179	B1	12/2003	Schaefer et al.	2001/0037111	A1	11/2001	Dixon et al.
6,656,181	B2	12/2003	Dixon et al.	2002/0007184	A1	1/2002	Ogilvie et al.
6,660,004	B2	12/2003	Barker et al.	2002/0013586	A1	1/2002	Justis et al.
6,663,632	B1	12/2003	Frigg	2002/0035366	A1	3/2002	Walder et al.
6,663,635	B2	12/2003	Frigg et al.	2002/0045898	A1	4/2002	Freid et al.
6,673,073	B1	1/2004	Schafer	2002/0058942	A1	5/2002	Biedermann et al.
6,676,661	B1	1/2004	Martin Benlloch et al.	2002/0082602	A1	6/2002	Biedermann et al.
6,679,833	B2	1/2004	Smith et al.	2002/0111626	A1	8/2002	Ralph et al.
6,682,529	B2	1/2004	Stahurski	2002/0143341	A1	10/2002	Biedermann et al.
6,682,530	B2	1/2004	Dixon et al.	2002/0173789	A1	11/2002	Howland
6,689,133	B2	2/2004	Morrison et al.	2002/0193795	A1	12/2002	Gertzbein et al.
6,689,134	B2	2/2004	Ralph et al.	2003/0023243	A1	1/2003	Biedermann et al.
6,695,843	B2	2/2004	Biedermann et al.	2003/0073996	A1	4/2003	Doubler et al.
6,695,851	B2	2/2004	Zdeblick et al.	2003/0083657	A1	5/2003	Drewry et al.
6,699,249	B2	3/2004	Schlapfer et al.	2003/0093078	A1	5/2003	Ritland
6,706,045	B2	3/2004	Lin et al.	2003/0100896	A1	5/2003	Biedermann et al.
6,712,818	B1	3/2004	Michelson	2003/0105460	A1	6/2003	Crandall et al.
6,716,213	B2	4/2004	Shitoto	2003/0109880	A1	6/2003	Shirado et al.
6,716,214	B1	4/2004	Jackson	2003/0114852	A1	6/2003	Biedermann et al.
6,716,247	B2	4/2004	Michelson	2003/0125741	A1	7/2003	Biedermann et al.
6,723,100	B2	4/2004	Biedermann et al.	2003/0149432	A1	8/2003	Frigg et al.
6,730,093	B2	5/2004	Saint Martin	2003/0163133	A1	8/2003	Altarac et al.
6,730,127	B2	5/2004	Michelson	2003/0171749	A1	9/2003	Le Couedic et al.
6,733,502	B2	5/2004	Altarac et al.	2003/0176862	A1	9/2003	Taylor et al.
6,736,816	B2	5/2004	Ritland	2003/0191470	A1	10/2003	Ritland
6,736,820	B2	5/2004	Biedermann et al.	2003/0199873	A1	10/2003	Richelsoph
6,740,086	B2	5/2004	Richelsoph	2003/0208204	A1	11/2003	Bailey et al.
6,746,449	B2	6/2004	Jones et al.	2003/0216735	A1	11/2003	Altarac et al.
6,755,829	B1	6/2004	Bono et al.	2003/0220642	A1	11/2003	Freudiger
6,755,835	B2	6/2004	Schultheiss et al.	2004/0002708	A1	1/2004	Ritland
6,755,836	B1	6/2004	Lewis	2004/0006342	A1	1/2004	Altarac et al.
6,761,723	B2	7/2004	Buttermann et al.	2004/0049189	A1	3/2004	Le Couedic et al.
6,767,351	B2	7/2004	Orbay et al.	2004/0049190	A1	3/2004	Biedermann et al.
6,770,075	B2	8/2004	Howland	2004/0073215	A1	4/2004	Carli
6,780,186	B2	8/2004	Errico et al.	2004/0078082	A1	4/2004	Lange
6,783,527	B2	8/2004	Drewry et al.	2004/0087949	A1	5/2004	Bono et al.
6,790,209	B2	9/2004	Beale et al.	2004/0087952	A1	5/2004	Borgstrom et al.
6,802,844	B2	10/2004	Ferree	2004/0092934	A1	5/2004	Howland
6,827,719	B2	12/2004	Ralph et al.	2004/0097933	A1	5/2004	Lourdel et al.
6,830,571	B2	12/2004	Lenke et al.	2004/0116929	A1	6/2004	Barker et al.
6,835,196	B2	12/2004	Biedermann et al.	2004/0138662	A1	7/2004	Landry et al.
6,837,889	B2	1/2005	Shluzas	2004/0143265	A1	7/2004	Landry et al.
6,840,940	B2	1/2005	Ralph et al.	2004/0147928	A1	7/2004	Landry et al.
6,843,791	B2	1/2005	Serhan	2004/0147929	A1	7/2004	Biedermann et al.
6,858,031	B2	2/2005	Morrison et al.	2004/0158247	A1	8/2004	Sitiso et al.
6,869,432	B2	3/2005	Schlapfer et al.	2004/0172022	A1	9/2004	Landry et al.

2004/0176766	A1	9/2004	Shluzas	2005/0277927	A1	12/2005	Guenther et al.
2004/0186473	A1	9/2004	Cournoyer et al.	2005/0277928	A1	12/2005	Boschert
2004/0210216	A1	10/2004	Farris et al.	2005/0283152	A1	12/2005	Lindemann et al.
2004/0225289	A1	11/2004	Biedermann et al.	2005/0283157	A1	12/2005	Coates et al.
2004/0236327	A1	11/2004	Paul et al.	2005/0283238	A1	12/2005	Reiley
2004/0236328	A1	11/2004	Paul et al.	2005/0283244	A1	12/2005	Gordon et al.
2004/0236329	A1	11/2004	Panjabi	2005/0288669	A1	12/2005	Abdou
2004/0236330	A1	11/2004	Purcell et al.	2005/0288670	A1	12/2005	Panjabi
2004/0249380	A1	12/2004	Glascott	2005/0288671	A1	12/2005	Yuan et al.
2004/0267264	A1	12/2004	Konieczynski et al.	2005/0288672	A1	12/2005	Ferree
2005/0027296	A1	2/2005	Thramann et al.	2005/0288673	A1	12/2005	Catbagan et al.
2005/0033298	A1	2/2005	Hawkes et al.	2006/0004357	A1	1/2006	Lee et al.
2005/0038432	A1	2/2005	Shaolian et al.	2006/0004359	A1	1/2006	Kramer et al.
2005/0049708	A1	3/2005	Atkinson et al.	2006/0004360	A1	1/2006	Kramer et al.
2005/0055026	A1	3/2005	Biedermann et al.	2006/0004363	A1	1/2006	Brockmeyer et al.
2005/0065515	A1	3/2005	Jahng	2006/0009767	A1	1/2006	Kiester
2005/0065516	A1	3/2005	Jahng	2006/0009768	A1	1/2006	Ritland
2005/0070899	A1	3/2005	Doubler et al.	2006/0009769	A1	1/2006	Liebermann
2005/0080415	A1	4/2005	Keyer et al.	2006/0009770	A1	1/2006	Speirs et al.
2005/0085812	A1	4/2005	Sherman et al.	2006/0009846	A1	1/2006	Trieu et al.
2005/0085815	A1	4/2005	Harms et al.	2006/0015099	A1	1/2006	Cannon et al.
2005/0085816	A1	4/2005	Michelson	2006/0015104	A1	1/2006	Dalton
2005/0096652	A1	5/2005	Burton	2006/0025767	A1	2/2006	Khalili
2005/0107788	A1	5/2005	Beaurain et al.	2006/0025768	A1	2/2006	Iott et al.
2005/0113927	A1	5/2005	Malek	2006/0025770	A1	2/2006	Schlapfer et al.
2005/0124991	A1	6/2005	Jahng	2006/0036240	A1	2/2006	Colleran et al.
2005/0131404	A1	6/2005	Mazda et al.	2006/0036242	A1	2/2006	Nilsson et al.
2005/0131407	A1	6/2005	Sicvol et al.	2006/0036244	A1	2/2006	Spitler et al.
2005/0131413	A1	6/2005	O'Driscoll et al.	2006/0036246	A1	2/2006	Carl et al.
2005/0137597	A1	6/2005	Butler et al.	2006/0036252	A1	2/2006	Baynham et al.
2005/0143737	A1	6/2005	Pafford et al.	2006/0036256	A1	2/2006	Carl et al.
2005/0143823	A1	6/2005	Boyd et al.	2006/0036259	A1	2/2006	Carl et al.
2005/0149020	A1	7/2005	Jahng	2006/0036323	A1	2/2006	Carl et al.
2005/0149023	A1	7/2005	Ritland	2006/0036324	A1	2/2006	Sachs et al.
2005/0154389	A1	7/2005	Selover et al.	2006/0041259	A1	2/2006	Paul et al.
2005/0154390	A1	7/2005	Biedermann et al.	2006/0052780	A1	3/2006	Errico et al.
2005/0154391	A1	7/2005	Doherty et al.	2006/0052783	A1	3/2006	Dant et al.
2005/0159750	A1	7/2005	Doherty	2006/0052784	A1	3/2006	Dant et al.
2005/0165400	A1	7/2005	Fernandez	2006/0052786	A1	3/2006	Dant et al.
2005/0171540	A1	8/2005	Lim et al.	2006/0058788	A1	3/2006	Hammer et al.
2005/0171543	A1	8/2005	Timm et al.	2006/0058790	A1	3/2006	Carl et al.
2005/0177157	A1	8/2005	Jahng	2006/0064090	A1	3/2006	Park
2005/0182401	A1	8/2005	Timm et al.	2006/0064091	A1	3/2006	Ludwig et al.
2005/0187548	A1	8/2005	Butler et al.	2006/0064092	A1	3/2006	Howland
2005/0187555	A1	8/2005	Biedermann et al.	2006/0069390	A1	3/2006	Frigg
2005/0192580	A1	9/2005	Dalton	2006/0079896	A1	4/2006	Kwak
2005/0203511	A1	9/2005	Wilson-MacDonald et al.	2006/0079898	A1	4/2006	Ainsworth
2005/0203513	A1	9/2005	Jahng et al.	2006/0084982	A1	4/2006	Kim
2005/0203514	A1	9/2005	Jahng et al.	2006/0084983	A1	4/2006	Kim
2005/0203516	A1	9/2005	Biedermann et al.	2006/0084984	A1	4/2006	Kim
2005/0203517	A1	9/2005	Jahng et al.	2006/0084985	A1	4/2006	Kim
2005/0203518	A1	9/2005	Biedermann et al.	2006/0084987	A1	4/2006	Kim
2005/0203519	A1	9/2005	Harms et al.	2006/0084988	A1	4/2006	Kim
2005/0216001	A1	9/2005	David	2006/0084991	A1	4/2006	Borgstrom
2005/0216003	A1	9/2005	Biedermann et al.	2006/0085069	A1	4/2006	Kim
2005/0228501	A1	10/2005	Miller et al.	2006/0106381	A1	5/2006	Ferree
2005/0234450	A1	10/2005	Barker	2006/0122599	A1	6/2006	Drewry
2005/0234451	A1	10/2005	Markworth	2006/0129239	A1	6/2006	Kwak
2005/0234452	A1	10/2005	Malandain	2006/0142758	A1	6/2006	Petit
2005/0234453	A1	10/2005	Shaolian et al.	2006/0142760	A1	6/2006	McDonnell
2005/0234454	A1	10/2005	Chin	2006/0149228	A1	7/2006	Schlapfer
2005/0234456	A1	10/2005	Malandain	2006/0149229	A1	7/2006	Kwak
2005/0240181	A1	10/2005	Boomer et al.	2006/0184171	A1	8/2006	Biedermann
2005/0240183	A1	10/2005	Vaughan	2006/0184180	A1	8/2006	Augustino
2005/0245930	A1	11/2005	Timm et al.	2006/0189984	A1	8/2006	Fallin
2005/0251137	A1	11/2005	Ball	2006/0189985	A1	8/2006	Lewis
2005/0251140	A1	11/2005	Shaolian et al.	2006/0195090	A1	8/2006	Suddaby
2005/0251141	A1	11/2005	Frigg et al.	2006/0195093	A1	8/2006	Jahng
2005/0261685	A1	11/2005	Fortin et al.	2006/0200130	A1	9/2006	Hawkins
2005/0261687	A1	11/2005	Garamszegi et al.	2006/0212033	A1	9/2006	Rothman
2005/0267470	A1	12/2005	McBride	2006/0229608	A1	10/2006	Foster
2005/0267471	A1	12/2005	Biedermann et al.	2006/0229609	A1	10/2006	Wang
2005/0267474	A1	12/2005	Dalton	2006/0229612	A1	10/2006	Rothman
2005/0273099	A1	12/2005	Baccelli et al.	2006/0229613	A1	10/2006	Timm
2005/0273101	A1	12/2005	Schumacher	2006/0241769	A1	10/2006	Gordon
2005/0277919	A1	12/2005	Slivka et al.	2006/0241771	A1	10/2006	Gordon
2005/0277922	A1	12/2005	Trieu et al.	2006/0247632	A1	11/2006	Winslow
2005/0277923	A1	12/2005	Sweeney	2006/0247633	A1	11/2006	Winslow
2005/0277925	A1	12/2005	Mujwid	2006/0247635	A1	11/2006	Gordon

2006/0247637	A1	11/2006	Colleran	EP	0667127	8/1995
2006/0247779	A1	11/2006	Gordon	EP	0677277	10/1995
2006/0264935	A1	11/2006	White	EP	0885598	12/1998
2006/0264937	A1	11/2006	White	EP	1121902	8/2001
2006/0264940	A1	11/2006	Hartmann	EP	1190678	3/2002
2006/0271051	A1	11/2006	Berrevoets et al.	EP	1570795	2/2005
2006/0282075	A1	12/2006	Labrom	EP	1570795	9/2005
2006/0282076	A1	12/2006	Labrom	EP	1579816	9/2005
2006/0282077	A1	12/2006	Labrom	EP	1634537	3/2006
2006/0282078	A1	12/2006	Labrom	ES	2000325358	3/2000
2006/0282079	A1	12/2006	Labrom	FR	2717370	9/1995
2006/0282080	A1	12/2006	Albert	FR	2718946	10/1995
2006/0293657	A1	12/2006	Hartmann	FR	2729291	7/1996
2006/0293663	A1	12/2006	Walkenhorst	FR	2796545	1/2001
2007/0005062	A1	1/2007	Lange	FR	2799949	4/2001
2007/0005063	A1	1/2007	Bruneau	FR	2856578	6/2003
2007/0005137	A1	1/2007	Kwak	FR	2865373	1/2004
2007/0016190	A1	1/2007	Martinez	FR	2865375	1/2004
2007/0016193	A1	1/2007	Ritland	FR	2865377	1/2004
2007/0016200	A1	1/2007	Jackson	FR	2857850	4/2004
2007/0043356	A1	2/2007	Timm	FR	2865378	10/2004
2007/0049936	A1	3/2007	Colleran	GB	2365345	2/2002
2007/0055236	A1	3/2007	Hudgins	GB	2382304	5/2003
2007/0055247	A1	3/2007	Jahng	WO	WO92/03100	3/1992
2007/0073289	A1	3/2007	Kwak	WO	WO94/10927	5/1994
2007/0073293	A1	3/2007	Martz	WO	WO94/26191	11/1994
2007/0078461	A1	4/2007	Shluzas	WO	WO01/45576	6/2001
2007/0088359	A1	4/2007	Woods et al.	WO	WO02/054966	7/2002
2007/0093813	A1	4/2007	Callahan et al.	WO	WO02/102259	12/2002
2007/0093814	A1	4/2007	Callahan, II et al.	WO	WO03/026523	4/2003
2007/0093815	A1	4/2007	Callahan, II et al.	WO	WO03/068088	8/2003
2007/0100341	A1	5/2007	Reglos et al.	WO	WO2004/041100	5/2004
2007/0118119	A1	5/2007	Hestad	WO	WO2004/075778	9/2004
2007/0118122	A1	5/2007	Butler et al.	WO	WO2004/089245	10/2004
2007/0123864	A1	5/2007	Walder et al.	WO	WO2004/107997	12/2004
2007/0123865	A1	5/2007	Schlapfer et al.	WO	WO2005/000136	1/2005
2007/0123866	A1	5/2007	Gerbec et al.	WO	WO2005/000137	1/2005
2007/0123871	A1	5/2007	Jahng	WO	WO2005/020829	3/2005
2007/0129729	A1	6/2007	Petit et al.	WO	WO2005/065374	7/2005
2007/0135815	A1	6/2007	Gerbec et al.	WO	WO2005/065375	7/2005
2007/0161991	A1	7/2007	Altarac et al.	WO	WO2005/072632	8/2005
2007/0161997	A1	7/2007	Thramann et al.	WO	WO2005/082262	9/2005
2007/0173818	A1	7/2007	Hestad et al.	WO	WO2005/099400	10/2005
2007/0173822	A1	7/2007	Bruneau et al.	WO	WO2005/104969	11/2005
2007/0173832	A1	7/2007	Tebbe et al.	WO	WO2006/012088	2/2006
2007/0191841	A1	8/2007	Justis et al.	WO	WO2006/017616	2/2006
2007/0191846	A1	8/2007	Bruneau et al.	WO	WO2006/028537	3/2006
2007/0213720	A1	9/2007	Gordon et al.	WO	WO2007/124249	11/2007
2007/0225708	A1	9/2007	Biedermann et al.			
2007/0225710	A1	9/2007	Jahng et al.			
2007/0233073	A1	10/2007	Wisnewski et al.			
2007/0233075	A1	10/2007	Dawson			
2007/0233085	A1	10/2007	Biedermann et al.			
2007/0233087	A1	10/2007	Schlapfer			
2007/0233092	A1	10/2007	Falahee			
2007/0233094	A1	10/2007	Colleran et al.			
2007/0233095	A1	10/2007	Schlaepfer			

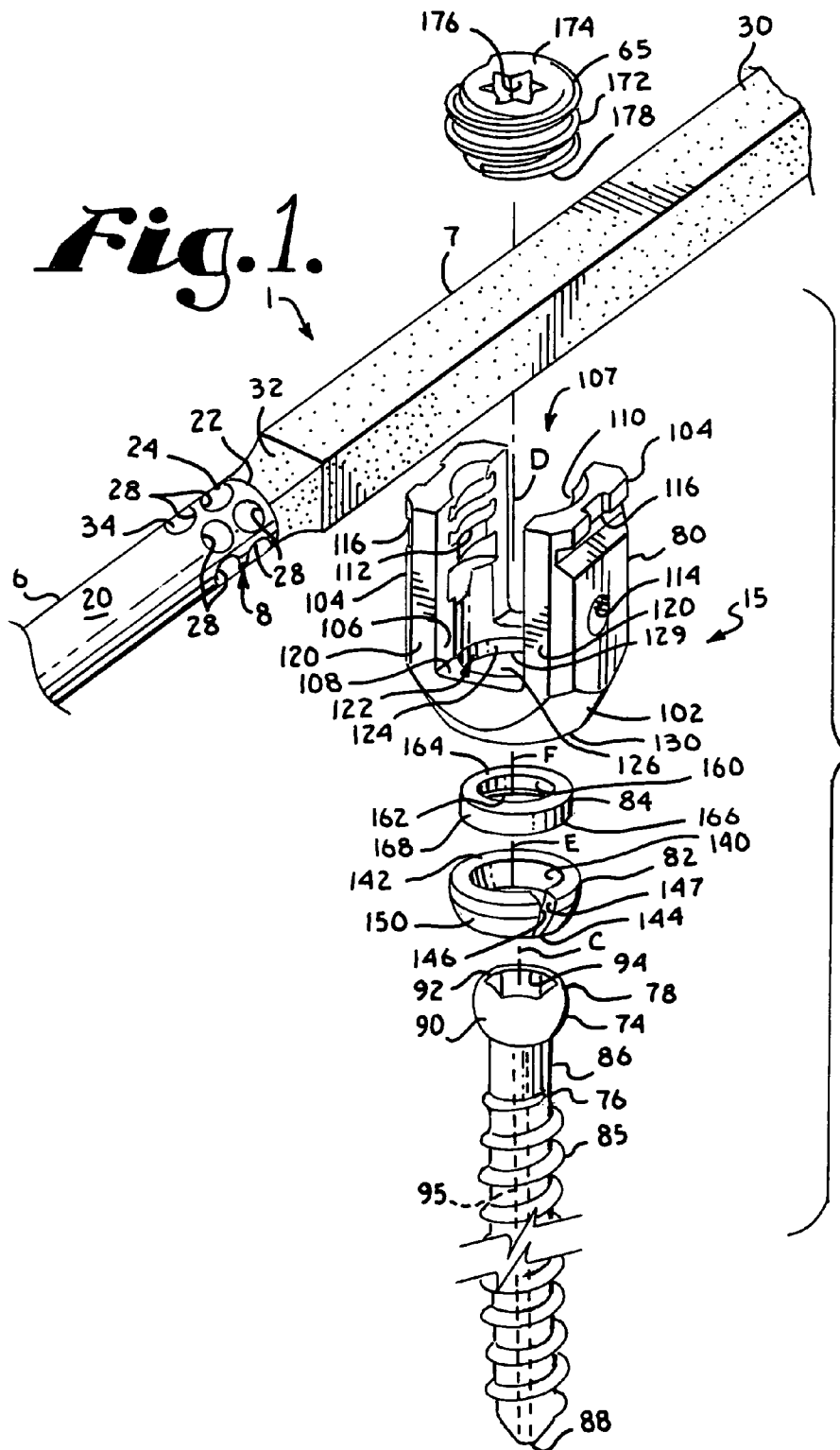
## FOREIGN PATENT DOCUMENTS

DE	4425392	11/1995
DE	19509141	9/1996
DE	19509331	9/1996
DE	29806563	7/1998
DE	29810798	12/1999
DE	19951145	5/2001

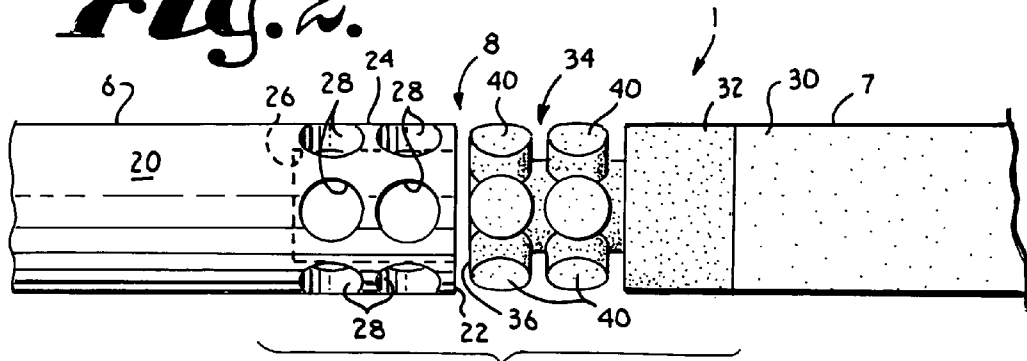
## OTHER PUBLICATIONS

- Claris Instrumentation* Brochure, G Med, pub. 1997.  
*VLS System Variable Locking Screw* Brochure, Interpore Cross International, 1999.  
*The Rod Plate System* Brochure, Stryker Howmedica Osteonics, pub. Oct. 1999.  
*SDRS Surgical Dynamics Rod System* Brochure, Surgical Dynamics, pub. 1998-1999.  
*Versalok Low Back Fixation System* Brochure, Wright Medical Technology, Inc., pub. 1997.  
*Spine*, Lipcott, Williams & Wilkins, Inc. vol. 24, No. 15, p. 1495.  
 Brochure of Tyco/Healthcare/Surgical Dynamics on Spiral Radius 90D, Publication Date: Sep. 2001, pp. 1-8.

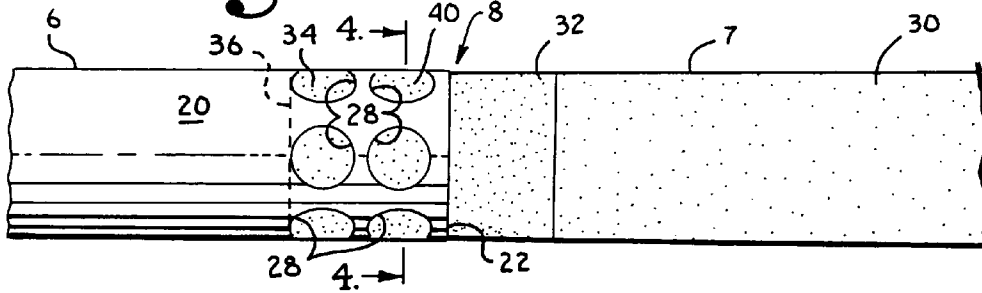
\* cited by examiner



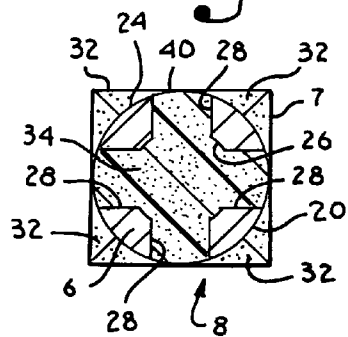
**Fig. 2.**

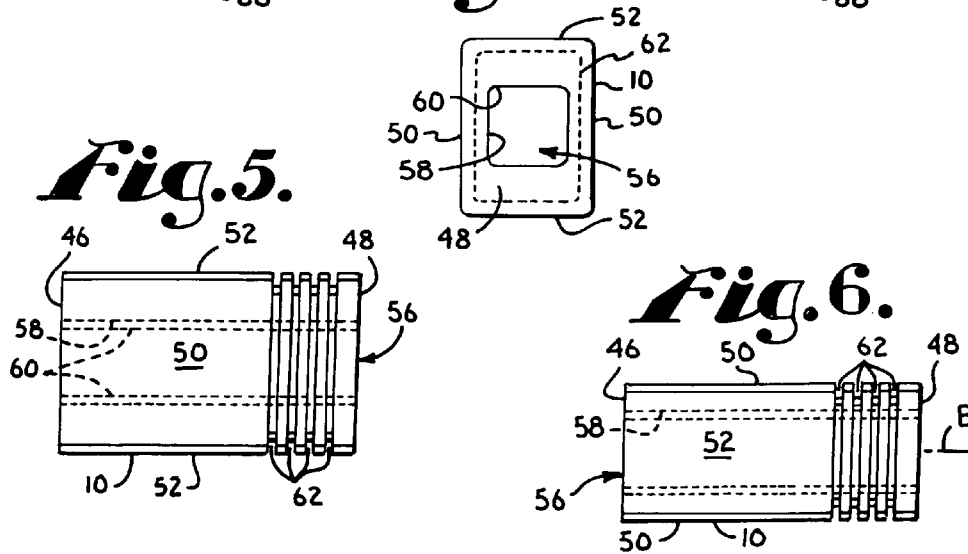
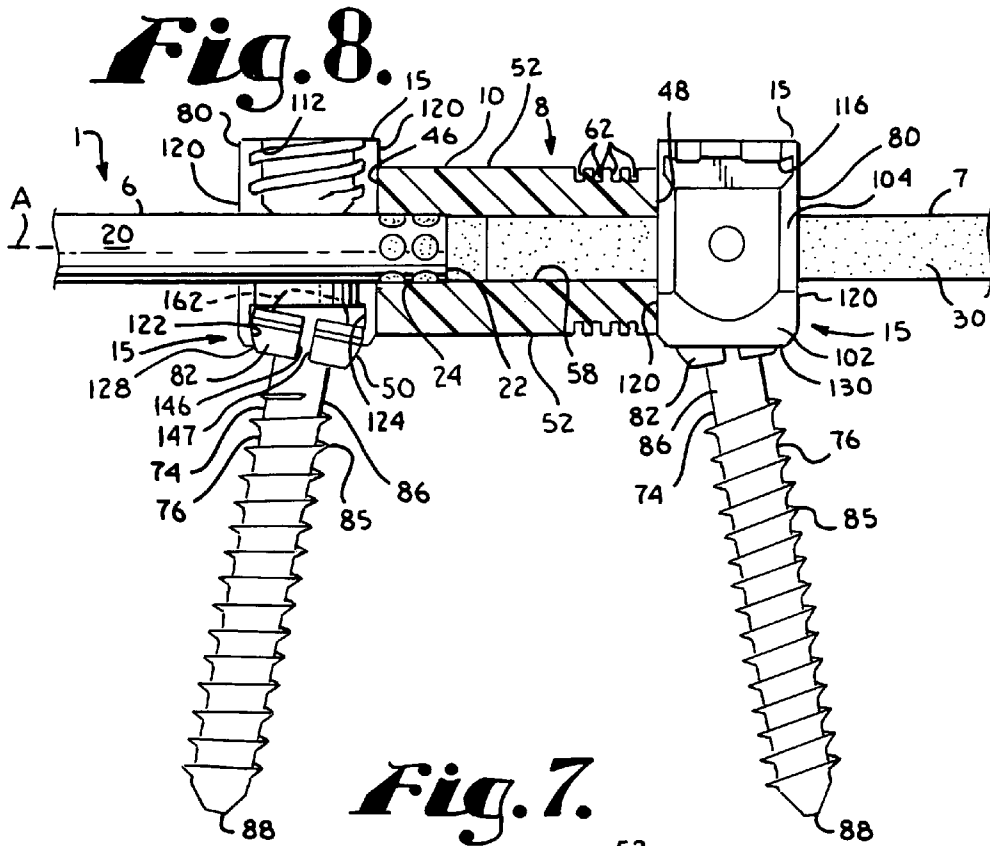


**Fig. 3.**

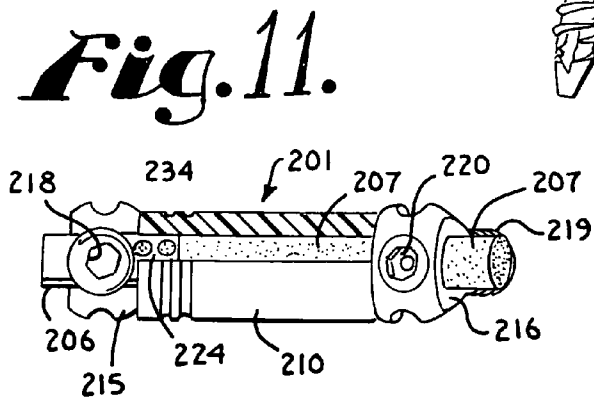
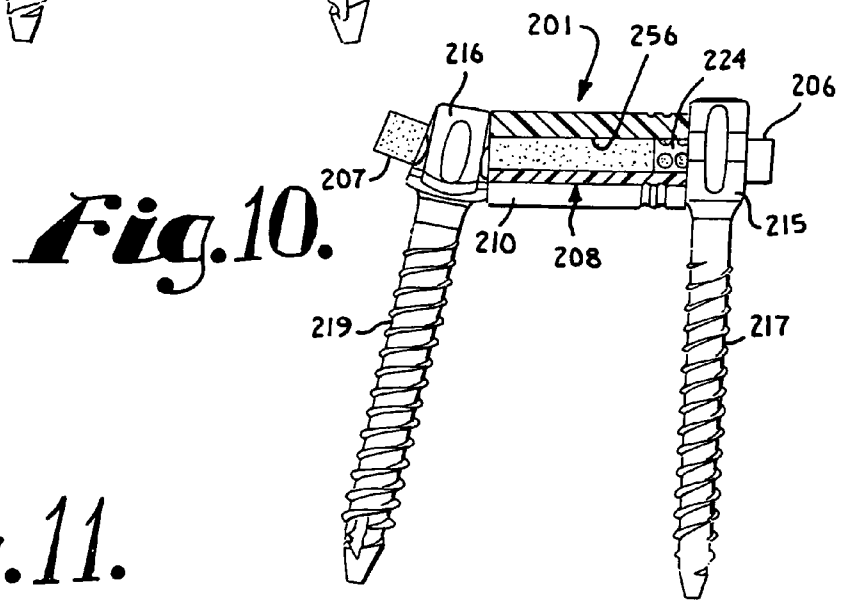
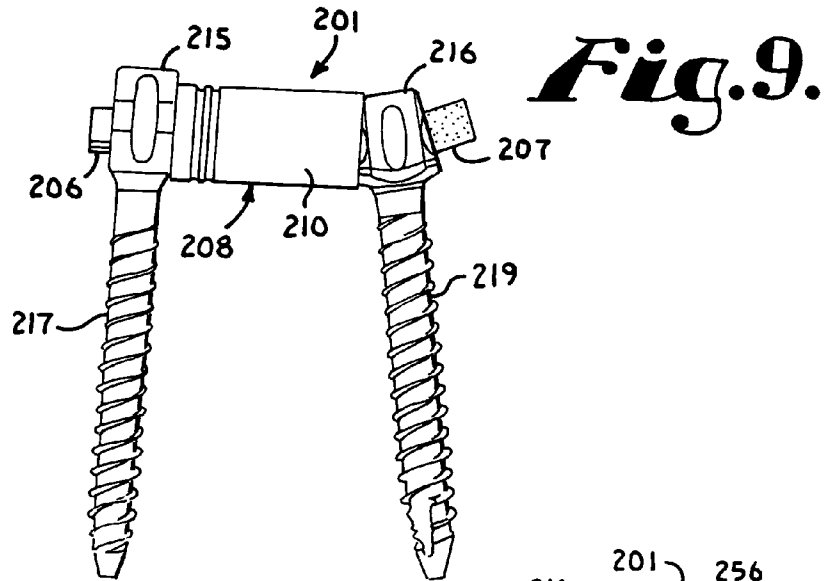


**Fig. 4.**









## DYNAMIC STABILIZATION MEMBER WITH MOLDED CONNECTION

### CROSS REFERENCE TO RELATED APPLICATIONS

This application claims the benefit of U.S. Provisional Application No. 60/897,723 filed Jan. 26, 2007, which is incorporated by reference herein.

### BACKGROUND OF THE INVENTION

The present invention is directed to dynamic fixation assemblies for use in bone surgery, particularly spinal surgery, and in particular to longitudinal connecting members for such assemblies, the connecting members being attached to at least two bone fasteners.

Historically, it has been common to fuse adjacent vertebrae that are placed in fixed relation by the installation therealong of bone screws or other bone anchors and cooperating longitudinal connecting members or other elongate members. Fusion results in the permanent immobilization of one or more of the intervertebral joints. Because the anchoring of bone screws, hooks and other types of anchors directly to a vertebra can result in significant forces being placed on the vertebra, and such forces may ultimately result in the loosening of the bone screw or other anchor from the vertebra, fusion allows for the growth and development of a bone counterpart to the longitudinal connecting member that can maintain the spine in the desired position even if the implants ultimately fail or are removed. Because fusion has been a desired component of spinal stabilization procedures, longitudinal connecting members have been designed that are of a material, size and shape to largely resist flexure, extension, torsion, distraction and compression, and thus substantially immobilize the portion of the spine that is to be fused. Thus, longitudinal connecting members are typically uniform along an entire length thereof, and usually made from a single or integral piece of material having a uniform diameter or width of a size to provide substantially rigid support in all planes.

Fusion, however, is not always desirable. An alternative to fusion and the use of more rigid longitudinal connecting members or other rigid structure has been a "soft" or "dynamic" stabilization approach in which a flexible loop-, S-, C- or U-shaped member or a coil-like and/or a spring-like member is utilized as an elastic longitudinal connecting member fixed between a pair of pedicle screws in an attempt to create, as much as possible, a normal loading pattern between the vertebrae in flexion, extension, distraction, compression, side bending and torsion. Another type of soft or dynamic system known in the art includes bone anchors connected by flexible cords or strands, typically made from a plastic material. Such a cord or strand may be threaded through cannulated spacers that are disposed between adjacent bone anchors when such a cord or strand is implanted, tensioned and attached to the bone anchors. The spacers typically span the distance between bone anchors, providing limits on the bending movement of the cord or strand and thus strengthening and supporting the overall system. Such cord or strand-type systems require specialized bone anchors and tooling for tensioning and holding the chord or strand in the bone anchors. Although flexible, the cords or strands utilized in such systems do not allow for elastic distraction or stretchability of the system once implanted because the cord or strand must be stretched or pulled to maximum tension in order to provide a stable, supportive system.

The complex dynamic conditions associated with spinal movement make it a challenge to design flexible and/or elastic elongate longitudinal connecting members that exhibit an adequate fatigue strength to provide stabilization and protected motion of the spine, without fusion, and allow for some natural movement of the portion of the spine being reinforced and supported by the elongate elastic or flexible connecting member. A further challenge are situations in which a portion or length of the spine requires a more rigid stabilization, possibly including fusion, while another portion or length may be better supported by a more dynamic system that allows for protected movement.

### SUMMARY OF THE INVENTION

Longitudinal connecting member assemblies according to the invention for use between at least two bone anchors provide dynamic, protected motion of the spine and may be extended to provide additional dynamic sections or more rigid support along an adjacent length of the spine, with fusion, if desired. According to the invention, an elongate molded plastic structure, such as an elastomer is fixed to an end portion of an elongate rigid portion by molding or other fixing processes, including, but not limited to chemical bonding, blending, or surface adherence. For example, in an embodiment of the invention, molded plastic is disposed within a plurality of through bores of the end portion of a rigid rod. A longitudinal connecting member assembly according to the invention thus includes a transition or connection portion that is placed between a pair of bone anchors, the transition portion having a first substantially solid rigid portion and a second molded portion having at least some elasticity. A sleeve or spacer surrounds the juncture of the first and second portions at the transition portion. The sleeve extends between the pair of bone anchors and is in contact therewith. The transition portion and the outer sleeve cooperate dynamically, both features having some flexibility, with the outer sleeve primarily protecting and limiting flexing movement of the inner transition portion. The outer sleeve may include a grooved portion that may be compressed upon installation between two bone anchors.

Embodiments according to the invention, include, for example, a substantially solid rigid first portion, such as a metal rod having a plurality of apertures formed near an end thereof. A second solid elastic rod portion is fabricated by a molding process wherein the elastic rod portion is formed adjacent the metal rod portion such that the plastic polymer forming the elastic rod portion also flows into the apertures of the metal rod thereby fixing the first and second portions to one another.

A variety of embodiments according to the invention are possible. For example, cylindrical rods, bars of square or rectangular cross-section, or other substantially rigid structures having different measures of rigidity may be connected with flexible rods or bars of varying stiffness and elasticity according to embodiments of the invention. Either rigid portions or flexible portions may be of greater or lesser lengths for attaching to one or up to a plurality of bone anchors.

### OBJECTS AND ADVANTAGES OF THE INVENTION

Therefore, it is an object of the present invention to provide dynamic medical implant stabilization assemblies having longitudinal connecting members that include both rigid and more flexible sections or lengths, the flexible sections allowing for at least one of bending, torsion, compression and

distracted of the assembly. Another object of the invention is to provide such an assembly wherein the flexible section or sections are insertable into a protective outer sleeve. A further object of the invention is to provide such an assembly wherein the outer sleeve may be compressed upon installation. A further object of the invention is to provide dynamic medical implant longitudinal connecting members that may be utilized with a variety of bone screws, hooks and other bone anchors. Another object of the invention is to provide a more rigid or solid connecting member portion or segment, if desired, such as a solid rod portion integrally linked to one or more flexible portions or segments. Additionally, it is an object of the invention to provide a lightweight, reduced volume, low profile assembly including at least two bone anchors and a longitudinal connecting member therebetween. Furthermore, it is an object of the invention to provide apparatus and methods that are easy to use and especially adapted for the intended use thereof and wherein the apparatus are comparatively inexpensive to make and suitable for use.

Other objects and advantages of this invention will become apparent from the following description taken in conjunction with the accompanying drawings wherein are set forth, by way of illustration and example, certain embodiments of this invention.

The drawings constitute a part of this specification and include exemplary embodiments of the present invention and illustrate various objects and features thereof.

#### BRIEF DESCRIPTION OF THE DRAWINGS

FIG. 1 is an enlarged and partial exploded perspective view of a polyaxial bone screw and cooperating dynamic longitudinal connecting member according to the invention (shown without the sleeve of FIG. 5).

FIG. 2 is an enlarged and partial exploded front elevational view of the dynamic longitudinal connecting member of FIG. 1.

FIG. 3 is an enlarged and partial front elevational view of the dynamic longitudinal connecting member of FIG. 1.

FIG. 4 is a cross-sectional view taken along the line 4-4 of FIG. 3.

FIG. 5 is an enlarged front elevational view of the sleeve or spacer for the dynamic longitudinal connecting member of FIG. 1.

FIG. 6 is a top plan view of the spacer of FIG. 5.

FIG. 7 is a side elevational view of the spacer of FIG. 5.

FIG. 8 is an enlarged and partial front elevational view of the longitudinal connecting member of FIG. 1, the spacer of FIG. 5 and shown with two polyaxial bone screws of FIG. 1, with portions broken away to show the detail thereof.

FIG. 9 is an enlarged front elevational view a second embodiment of a dynamic longitudinal connecting member according to the invention shown assembled with a fixed open screw and a fixed closed screw.

FIG. 10 is a rear elevational view of the assembly of FIG. 9 with portions broken away to show the detail thereof.

FIG. 11 is a top plan view of the assembly of FIG. 9 with portions broken away to show the detail thereof.

#### DETAILED DESCRIPTION OF THE INVENTION

As required, detailed embodiments of the present invention are disclosed herein; however, it is to be understood that the disclosed embodiments are merely exemplary of the invention, which may be embodied in various forms. Therefore, specific structural and functional details disclosed herein are not to be interpreted as limiting, but merely as a basis for the

claims and as a representative basis for teaching one skilled in the art to variously employ the present invention in virtually any appropriately detailed structure. It is also noted that any reference to the words top, bottom, up and down, and the like, in this application refers to the alignment shown in the various drawings, as well as the normal connotations applied to such devices, and is not intended to restrict positioning of the connecting member assemblies of the application and cooperating bone anchors in actual use.

With reference to FIGS. 1-8, the reference numeral 1 generally designates a dynamic stabilization longitudinal connecting member assembly according to the present invention. The connecting member assembly 1 is elongate, having a central axis A and generally includes a first rigid member 6, a second more flexible, elastomeric member 7 and a central, dynamic connection or transition portion or segment 8 disposed at and near a juncture of the members 6 and 7. The transition portion or segment 8 is receivable in a spacer or sleeve 10 with the sleeve 10 ultimately in position about the segment 8 when the assembly 1 is operatively assembled with at least a pair of bone screw assemblies 15 as illustrated in FIG. 8. The bone screw assembly, generally 15, that may be used with longitudinal connecting member assemblies 1 of the invention is also illustrated in FIG. 1.

The rigid member 6 is typically a substantially solid structure, such as the illustrated solid rod having an outer cylindrical surface 20. The rigid member 6 further includes an end 22 that is hollowed out and/or includes a plurality of through bores or apertures. In the illustrated embodiment, a rod portion 24 adjacent to the end 22 is substantially tubular, having an inner cylindrical surface 26 and a plurality of through apertures or through bores 28 running through and being open at both the outer surface 20 and the inner surface 26.

The elastomeric member 7 in the illustrated embodiment is substantially bar-shaped, having an elongate portion 30 with a substantially square cross-section, a tapered portion 32 and a rigid member connection portion 34. The connection portion 34 is disposed near an end 36 of the member 7. As illustrated in FIG. 4, the elongate portion 30 has a width measured at the cross-section that is substantially the same as a diameter of the cylindrical member 6, with the tapered portion 32 gradually providing the minor transition in shape from the bar shape of the elongate portion 30 of the member 7 to the cylindrical shape of the portion 24 of the member 6. The portions 30, 32 and 34 are integral and preferably fabricated by molding the member 7 in the presence of and adjacent to the rigid member 6 so that the portion 34 flows into a void defined by the inner cylindrical surface 26 as the portions 30 and 32 are also molded, with the portion 34 further flowing through each of the apertures 28 of the rigid member 6. It is also foreseen that in certain embodiments, the portion 34 may be fabricated separately from the rigid member 6 with flexible protrusions 40 of the portion 34 being sized and shaped (such as by separate mold or machining) for being received within the apertures 28 of the rigid member 6 when the end 36 of the elastomeric member 7 is inserted into the rigid member 6 at the end 22.

It is foreseen that each of the members 6 and 7 may be cylindrical in shape as illustrated in the embodiment shown in FIGS. 9-11. It is also foreseen that one or both of the members 6 and 7 may have other forms, including but not limited to oval, square and rectangular cross-sections as well as other curved or polygonal shapes, the members 6 and 7 having the same or different cross-sections. The members 6 and 7 are each of a length for cooperating with at least one and up to a plurality of bone attachment members, such as bone screws 15, other bone screws as will be described below, or hooks.

5

The rigid member 6 is made from metal, metal alloys or other suitable materials, including plastic polymers such as polyetheretherketone (PEEK), ultra-high-molecular weight-polyethylene (UHMWP), polyurethanes and composites. The elastomeric member 7 is made from natural or synthetic elastomers, including, but not limited to polyisoprene (natural rubber), and synthetic polymers, copolymers, and thermoplastic elastomers, and mixtures thereof, with the illustrated member 7 being a polyurethane elastomer. The illustrated sleeve 10 is also preferably made from a plastic, such as a thermoplastic elastomer, for example, polyethylene or polycarbonate-urethane having a greater stiffness than the elastomer of the member 7. In order to have low or no wear debris, the sleeve 10 inner surfaces and/or outer surfaces of cooperating portions of members 6 and 7 may be coated with an ultra thin, ultra hard, ultra slick and ultra smooth coating, such as may be obtained from ion bonding techniques and/or other gas or chemical treatments. It is foreseen that the member 7 may be sized and made from such materials as to provide for a relatively more rigid assembly 1 or a relatively more flexible assembly 1 with respect to flex or bendability along the transition portion 8 and the portion 30. Furthermore, when the portion 30 is elongate, sleeves 10 are preferably disposed between bone screws along such length. Also, since the distance between the bone screws can vary, the member 7 may need to be more or less stiff.

With particular reference to FIGS. 5-8, the sleeve or spacer 10 is a part of the assembly 1 that advantageously cooperates with the mid section or transition portion 8 of the assembly 1, providing limitation and protection of movement of the section 8. The sleeve 10 also protects patient body tissue from damage that might otherwise occur in the vicinity of the juncture of the rigid member 6 and elastomeric member 7. Thus, the sleeve 10 is sized and shaped for substantially even and precise alignment and substantial contact between flat end faces 46 and 48 of the sleeve 10 and cooperating flat side surfaces of the bone screws 15 as will be described in greater detail below. Furthermore, as will be discussed in greater detail below, in certain embodiments according to the invention, when the sleeve 10 is implanted, and the bone screw assemblies 15 are tightened into a locked position with respect to the longitudinal connecting member assembly 1, the tools utilized to implant the assembly 1 and/or the bone screws 15 may be manipulated so as to axially compress the sleeve 10 between facing surfaces of adjacent bone screws 15. Such compression during installation results in some tension and/or distraction of the member 7 located between the bone screws 15 when the implantation tools are removed from the bone screws 15, as the sleeve surfaces 46 and 48 then press against the facing bone screw surfaces, but the connection portion 8 is otherwise fixed with respect to each of the bone screws 15. Such dynamic tension/compression relationship between the sleeve 10 and the central connection portion 8 provides further strength and stability to the overall assembly and also allows for the entire connecting member assembly 1 disposed between the bone screws 15 to elongate, if needed, in response to spinal movement. The increased stability and strength of the assembly advantageously allows for use of a smaller, more compact, reduced volume, lower profile longitudinal connecting member assembly 1 and cooperating bone anchors than, for example, flexible cord and spacer type longitudinal connecting member assemblies.

The illustrated sleeve 10 has an outer rectangular cross-section with opposed sides or side surfaces 50 and a pair of opposed anterior/posterior sides or surfaces 52. Each of the surfaces 50, 52 extend between the flat end faces 46 and 48. The geometry of the sleeve 10 allows for a narrower width

6

between the parallel surfaces 50 than a distance between the surfaces 52. Such geometry provides adequate stiffness or support for the flexible member 7 at the segment 8 in flexing due to the greater distance between the posterior/anterior curved surfaces 52, while the more narrow width or distance between the flat surfaces 50 allows for placement of the sleeve 10 between adjacent vertebrae without engagement with such vertebrae. Stated in another way, a cylindrical sleeve having a diameter large enough to produce a desired limit of bending or flexing movement of the member 7 at the central or transition portion 8 would most likely have a diameter large enough to result in interference of the sleeve cylindrical surface with portions of adjacent vertebrae. The rectangular cross-section of the sleeve 10 allows allow for adequate clearance but do not detract from an overall strength of the sleeve 10.

Extending along a substantially central axis B of the sleeve 10 (that corresponds to the axis A when the transition portion 8 is disposed in the sleeve 10) is an internal channel or bore 56 of substantially square cross-section. The surfaces 58 defining the bore 56 are sized and shaped to slidably receive the members 6 and 7, with chamfers 60 located at corners defining the bore 56 to provide ease in receiving the member 7 that has a square cross-section. The bore 56 is slightly greater in size than the member 7, allowing for axially directed sliding movement of the sleeve 10 with respect to the member 7 during installation of the transition portion 8 into the sleeve 10 and also when both the portion 8 and the sleeve 10 are implanted with the sleeve 10 located between adjacent bone screws 15.

In the illustrated embodiment, the sleeve 10 further includes a plurality of compression grooves 62. Sleeves 10 according to the invention may include one, none or any desired number of grooves 62. Each groove 62 extends substantially uniformly about the sleeve 10 as illustrated in FIG. 7, being formed in the pairs of external surfaces 50, 52 of the sleeve 10. The groove or grooves 62 may be added as desired to advantageously increase a longitudinal compressibility of the sleeve 10 during installation between a pair of bone screws 15.

When the sleeve 10 is received about the central connection portion 8, the sleeve 10 completely surrounds the central portion 8 as illustrated in FIG. 8. It is noted that in addition to limiting the bendability of the central connection portion 8 and thus providing strength and stability to the assembly 1, the sleeve 10 also keeps scar tissue from growing into the portion 8 at the end 22 and apertures 28, thus eliminating the need for a sheath-like structure to be placed, adhered or otherwise applied to the central connection portion 8.

The dynamic connecting member assembly 1 cooperates with at least a pair of bone anchors, such as the polyaxial bone screws, generally 15 and cooperating closure structures 65 shown in FIG. 1, the assembly 1 being captured and fixed in place at the portions 6 and 7 by cooperation between the bone screws 15 and the closure structures 65. The sleeve 10 is sized and shaped to closely fit between pairs of bone screws 15 or other bone anchors or implants, cooperating with the central connection portion 8 to support adjacent vertebrae.

Because the members 6 and 7 are both solid and, as illustrated, either substantially cylindrical (member 6) or of other uniform cross-section (member 7), the connecting member assembly 1 may be used with a wide variety of bone anchors already available for cooperation with rigid rods including fixed, monoaxial bone screws, hinged bone screws, polyaxial bone screws, and bone hooks and the like, with or without compression inserts, that may in turn cooperate with a variety of closure structures having threads, flanges, or other struc-

ture for fixing the closure structure to the bone anchor, and may include other features, for example, break-off tops and inner set screws. The bone anchors, closure structures and the connecting member assembly **1** are then operably incorporated in an overall spinal implant system for correcting degenerative conditions, deformities, injuries, or defects to the spinal column of a patient.

The solid portions **6** and **7** are particularly suited for use with polyaxial bone screws. For example, a spline capture connection polyaxial bone screw as described in U.S. Pat. No. 6,716,214 and incorporated by reference herein, may be used with longitudinal connecting member assemblies according to the invention.

The illustrated polyaxial bone screw **15** is particularly advantageous for use with assemblies according to the invention as the screw **15** includes a squared off seat and compression member combination that securely receives both cylindrical and bar-shaped longitudinal connecting members. With reference to FIGS. **1** and **8**, the illustrated polyaxial bone screw assembly **15** includes a shank **74** that further includes a body **76** integral with an upper portion or capture structure **78**; a receiver **80**; and an independent retainer illustrated as an open collar-like retaining and articulating structure **82** and a compression member **84**. The shank **74**, the receiver **80**, the retainer **82** and the compression member **84** preferably are assembled prior to implantation of the shank body **76** into a vertebra (not shown).

FIG. **1** further shows the closure structure **65** for compressing and biasing the longitudinal connecting member portion **6** or the portion **7** against the compression member **84** which presses against the shank upper portion **78** which biases the retainer **82** into fixed frictional contact with both the shank upper portion **78** and the receiver **80**, so as to fix the portion **6** or the portion **7** relative to the vertebra (not shown). The receiver **80**, the retainer **82** and the shank **74** cooperate in such a manner that the receiver **80** and the shank **74** can be secured at any of a plurality of angles, articulations or rotational alignments relative to one another and within a selected range of angles both from side to side and from front to rear, to enable flexible or articulated engagement of the receiver **80** with the shank **74** until both are locked or fixed relative to each other near an end of an implantation procedure.

The shank **74**, best illustrated in FIGS. **1** and **5**, is elongate, with the shank body **76** having a helically wound bone implantable thread **85** extending from near a neck **86** located adjacent to the upper portion **78** to a tip **88** of the body **76** and extending radially outwardly therefrom. During use, the body **76** utilizing the thread **85** for gripping and advancement is implanted into a vertebra (not shown) leading with the tip **88** and driven down into the vertebra with an installation or driving tool (not shown), so as to be implanted in the vertebra to near the neck **86**. The shank **74** has an elongate axis of rotation generally identified by the reference letter C.

The neck **86** extends axially upwardly from the shank body **76**. Further extending axially from the neck **86** is the shank upper portion or capture structure **78** that provides a connective or capture apparatus disposed at a distance from the thread **85** and thus at a distance from the vertebra (not shown) when the body **76** is implanted in such vertebra.

The shank upper portion **78** is configured for connecting the shank **74** to the receiver **80** and capturing the shank **74** in the receiver **80**. The shank upper portion **78** has an outer, convex and substantially spherical surface **90** that extends outwardly and upwardly from the neck **86** and terminates at a curved top **92**. The spherical surface **90** has an outer radius configured for sliding cooperation and ultimate frictional mating with a concave surface of the retainer **82** having a

substantially similar radius. The spherical surface **90** is smooth, but it is foreseen that such surface may include a roughened or textured surface or surface finish, or may be scored, knurled, or the like, for enhancing frictional engagement with the retainer **82**. A counter sunk drive feature **94** is formed in the top **92** (shown as a hexagonal aperture). In operation, a driving tool (not shown) engages the feature **94** for driving the shank body **76** into bone. The drive feature **94** may take a variety of tool-engaging forms and may include one or more apertures or imprints of various shapes, such as a pair of spaced apart apertures or a multi-lobular aperture, such as those sold under the trademark TORX, or the like. It is foreseen that in some embodiments, the bone screw shank upper portion may have an external tool engagement structure.

The illustrated shank **74** is cannulated, having a small central bore **95** extending an entire length of the shank **74** along the axis C, coaxial with the threaded body **76**. The bore **95** has a first circular opening at the shank tip **88** and a second circular opening at the drive feature **94**. The bore **95** provides a passage through the shank **74** interior for a length of wire (not shown) inserted into a vertebra (not shown) prior to the insertion of the shank body **76**, the wire providing a guide for insertion of the shank body **76** into the vertebra.

To provide a biologically active interface with the bone, the threaded shank body **76** may be coated, perforated, made porous or otherwise treated. The treatment may include, but is not limited to a plasma spray coating or other type of coating of a metal or, for example, a calcium phosphate; or a roughening, perforation or indentation in the shank surface, such as by sputtering, sand blasting or acid etching, that allows for bony ingrowth or ongrowth. Certain metal coatings act as a scaffold for bone ingrowth. Bio-ceramic calcium phosphate coatings include, but are not limited to: alpha-tri-calcium phosphate and beta-tri-calcium phosphate ( $\text{Ca}_3(\text{PO}_4)_2$ ), tetra-calcium phosphate ( $\text{Ca}_4\text{P}_2\text{O}_9$ ), amorphous calcium phosphate and hydroxyapatite ( $\text{Ca}_{10}(\text{PO}_4)_6(\text{OH})_2$ ). Coating with hydroxyapatite, for example, is desirable as hydroxyapatite is chemically similar to bone with respect to mineral content and has been identified as being bioactive and thus not only supportive of bone ingrowth, but actively taking part in bone bonding.

The receiver **80** has a generally squared-off U-shaped appearance with a discontinuous partially cylindrical inner profile and a faceted outer profile. The receiver **80** includes a base **102** integral with a pair of upstanding arms **104** forming a cradle and defining a squared-off U-shaped channel **106** between the arms **104** with an upper opening **107** and a lower seat **108** having a width for receiving the bar-shaped portion **30** of the elastomeric member **7** or the rigid rod portion **6**, for operably snugly receiving either of the members **6** and **7**.

Each of the arms **104** has an interior surface **110** that defines the inner cylindrical profile and includes a partial helically wound guide and advancement structure **112**. In the illustrated embodiment, the guide and advancement structure **112** is a partial helically wound interlocking flangeform configured to mate under rotation with a similar structure on the closure structure **65**, as described more fully below. However, it is foreseen that the guide and advancement structure **112** could alternatively be a square-shaped thread, a buttress thread, a reverse angle thread or other thread like or non-thread like helically wound discontinuous advancement structure for operably guiding under rotation and advancing the closure structure **65** downward between the arms **104**, as well as eventual torquing when the closure structure **65** abuts against the rigid rod portion **6** or the elastomeric bar **7**.

Tool engaging apertures **114** are formed on or through surfaces of the arms **104** that may be used for holding the receiver **80** during assembly with the shank **74**, the retainer **82** and the compression member **84** and also during the implantation of the shank body **76** into a vertebra (not shown). Furthermore, each of the arms **104** also includes a V-shaped or undercut tool engagement groove **116**, formed on outer surfaces thereof which may be used for holding the receiver **80** with a holding tool (not shown) having projections that are received within the grooves **116** during implantation of the shank body **76** and/or during subsequent installation of the longitudinal connecting member assembly **1** and the closure structure **65**. It is foreseen that tool receiving grooves or apertures may be configured in a variety of shapes and sizes and be disposed at other locations on the receiver arms **104**.

On either side of the channel **106**, the arms **104** of the receiver **80** include opposed planar surfaces **120** that cooperate with the opposed flat surfaces **46** and **48** of the sleeve **10** when the assembly **1** is operatively attached to the bone screws **15** as illustrated in FIG. **8**. With reference to FIG. **1**, communicating with and located beneath the channel **106** of the receiver **80** is a chamber or cavity **122** substantially defined by a partial inner spherical seating surface **124** of the base **102**. The seating surface **124** is sized and shaped for slidable mating and eventual frictional engagement with the retainer **82**, as described more fully below. The cavity **122** opens upwardly into the U-shaped channel **106** and downwardly to a bore **126** defined by a neck **128** that opens to a lower exterior **130** of the base **102**. The bore **126** is coaxially aligned with respect to a rotational axis D of the receiver **80**. The neck **128** and the associated bore **126** are sized and shaped to be smaller than an outer radial dimension of the open, uncompressed retainer **82**, as will be discussed further below, so as to form a restriction at the location of the neck **128** relative to the retainer **82**, to prevent the uncompressed retainer **82** from passing from the cavity **122** and out to the lower exterior **130** of the receiver **80** when the retainer **82** is seated and loaded.

The partially spherical and discontinuous or open retainer **82** that both retains and articulates is used to hold the spherically surfaced **90** upper portion **78** of the shank **74** within the receiver **80** and is also independently slidably and pivotally engageable with both the shank upper portion **78** at the surface **90** and the receiver **80** at the seating surface **124**. The retainer **82** illustrated in FIGS. **1** and **8** has an operational central axis E that may be the same or different from the axis C associated with the shank **74**, or the axis D associated with the receiver **80** when the shank upper portion **78** and the retainer **82** are installed within the receiver **80**. The retainer **82** has a central channel or bore substantially defined by a discontinuous inner partially spherical surface **140** disposed between a top surface **142** and a bottom surface **144** of the retainer **82**. The inner spherical surface **140** has a radius sized and shaped to cooperate with a radius of the substantially spherical surface **90** of the shank upper portion **78** such that the surface **140** slidingly and pivotally mates with the spherical surface **90**. The surface **140** may include a roughening or surface finish to aid in frictional contact between the surface **140** and the surface **90**, once a desired angle of articulation of the shank **74** with respect to the retainer **82** is reached.

The resilient retainer **82** includes first and second end surfaces, **146** and **147** disposed in spaced relation to one another and a discontinuous outer partially spherically shaped surface **150**. Both end surfaces **146** and **147** are disposed substantially perpendicular to the top surface **142** and the bottom surface **144**. A width of the space between the surfaces **146** and **147** is determined to provide adequate space for the retainer **82** to be

pinched, with the surfaces **146** and **147** compressed toward one another to an almost touching or touching configuration, to an extent that the compressed retainer **82** is up or bottom loadable into the receiver cavity **122** through the bore **126** defined by the restrictive neck **128** while mounted on the neck **86** of the bone screw shank body **76**. After passing through the bore **126** simultaneously with the shank upper portion **78**, the retainer **82** expands or springs back to an original uncompressed, rounded or collar-like configuration of FIG. **1** once in the cavity **122**. Once the resilient structure **82** returns to an original form, but now surrounding the spherical structure **78**, the engaged structures **78** and **82** are then movable together within the cavity **122** to a variety of positions in which the surface **150** of the structure **82** is in slidable mating engagement with the seating surface **124** of the receiver **80**.

The embodiment shown in FIGS. **1** and **8** illustrates the surfaces **146** and **147** as substantially parallel and vertical, however, it is foreseen that it may be desirable to orient the surfaces obliquely or at a slight angle depending upon the amount of compression desired during loading of the retainer **82** into the receiver **80**. Also, other embodiments according to the invention, particularly smaller bone screw assemblies, may include retainers small enough to top load into the receiver channel upper opening **107**, rather than loading through the receiver neck **128**.

The compression member **84** is sized and shaped to be received by and uploaded into the receiver **80** at the neck **128**. In operation, the member **84** is disposed between the rigid member **6** or the elastomeric member **7** and the upper portion **78** of the bone screw **74** as illustrated in FIG. **8**. When the closure structure **65** presses upon the member **6** or the member **7**, the member **6** or **7** operatively presses upon the compression member **84** that in turn presses upon the shank upper portion **78** that in turn presses against the retainer **82** that in turn presses against the seating surface **124** of the receiver **80**, resulting in ultimate frictional engagement and locking the angular position of the bone screw shank **74** with respect to the receiver **80**. The compression member **84** has an operational central axis F that is the same as the central axis D of the receiver **80**. The compression member **84** has a central channel or through bore substantially defined by an inner cylindrical surface **160** and an inner partially spherical surface **162** (shown in phantom in FIG. **8**). The compression member through bore is sized and shaped to receive a driving tool (not shown) therethrough that engages the shank drive feature **94** when the shank is driven into bone. The surface **162** is sized and shaped to cooperate with the spherical surface **90** of the shank upper portion **78** such that the surface **162** slidingly and pivotally mates with the spherical surface **90**. The surface **162** may include a roughening or surface finish to aid in frictional contact between the surface **162** and the surface **90**, once a desired angle of articulation of the shank **74** with respect to the retainer **82** is reached.

The compression member **84** also includes a substantially planar top surface **164**, a bottom surface **166** and an outer cylindrical surface **168**. The cylindrical surface **168** is sized to be received within the interior cylindrical surface **110** defining the receiver **80** at the arms **104** and located between the guide and advancement structure **112** and the chamber **122** as best shown in FIG. **8**. Thus, the compression member **84** ultimately seats on the shank upper portion **78** and is disposed at least partially in the channel **106** such that the compression member **84** top surface **164** substantially contacts the member **6** or the member **7** when the longitudinal connecting member assembly **1** is placed in the receiver **80** and the closure structure **65** is tightened therein.

11

With reference to FIGS. 1 and 8, the closure structure or closure top 65 can be any of a variety of different types of closure structures for use in conjunction with the present invention with suitable mating structure on the upstanding arms 104. In the embodiment shown, the closure top 65 is rotatably received between the spaced arms 104, but could be a slide-in closure structure. The illustrated closure structure 65 is substantially cylindrical and includes an outer helically wound guide and advancement structure 172 in the form of a flange form that operably joins with the guide and advancement structure 112 disposed on the arms 104 of the receiver 80. The flange form utilized in accordance with the present invention may take a variety of forms, including those described in Applicant's U.S. Pat. No. 6,726,689, which is incorporated herein by reference. It is also foreseen that according to the invention the closure structure guide and advancement structure could alternatively be a buttress thread, a square thread, a reverse angle thread or other thread like or non-thread like helically wound advancement structure for operably guiding under rotation and advancing the closure structure 65 downward between the arms 104 and having such a nature as to resist splaying of the arms 104 when the closure structure 65 is advanced into the U-shaped channel 106. The illustrated closure structure 65 also includes a top surface 174 with an internal drive 176 in the form of an aperture that may be a hex drive, a star-shaped internal drive, for example, sold under the trademark TORX or other internal drives such as slotted, tri-wing, spanner, two or more apertures of various shapes, and the like. A driving tool (not shown) sized and shaped for engagement with the internal drive 176 is used for both rotatable engagement and, if needed, disengagement of the closure 65 from the arms 104. It is also foreseen that the closure structure 65 may alternatively include a break-off head designed to allow such a head to break from a base of the closure at a preselected torque, for example, 70 to 140 inch pounds. Such a closure structure would also include a base having an internal drive to be used for closure removal. A bottom surface 178 of the closure may be planar or include a point, points, a rim or roughening for engagement with the member 6 or the member 7 of the longitudinal connecting member assembly 1.

Prior to the polyaxial bone screw assembly 15 being placed in use according to the invention, the retainer 82 is first inserted about the neck 86 of the shank body 76 by inserting the shank tip 88 into the retainer through bore defined by the inner surface 140 and feeding the shank body 76 therethrough until the retainer 82 is located at the neck 86. Alternatively, in certain embodiments, the retainer 82 is placed near the neck 86 and the end surfaces 146 and 147 are pulled away from one another and pressed against and about the neck 86 until the surfaces 146 and 147 expand around the neck 86 and then spring back into a first position with the inner surface 140 disposed adjacent to the neck 86 and the top surface 142 facing toward the spherical surface 90 of the shank upper portion 78.

The compression member 84 is up or bottom loaded into the receiver 80 through the bore 126 with the top surface 164 facing the bore 126 and the cylindrical surface 168 moved upwardly through the neck 128. The compression member 84 may be placed on the shank upper portion 78 with and the spherical surface 162 seated on the surface 90 of the shank upper portion 78 and then uploaded simultaneously with the shank upper portion 78 and the retainer 82. The upper portion 78 and the connected structure 82 are then simultaneously up or bottom-loaded into the receiver cavity 122 by inserting the upper portion 78 through the neck 128 and into the cavity 122 and manually compressing the retainer 82 by pinching the

12

surfaces 146 and 147 toward one another and inserting the neck 86 and the compressed retainer 82 into the bore 126 of the receiver 80. After the retainer 82 moves beyond the bore 126 and into the cavity 122, the compressive force is removed and the retainer 82 resiliently springs back and returns to the original ring-like or collar-like orientation, capturing the shank upper portion 78 within the receiver 80. Then, the shank body 76 is pulled downwardly away from the receiver 80, forcing the retainer 82 to temporarily expand about the spherical surface 90 of the shank upper portion 78 with the end surfaces 146 and 147 moving away from one another. Such an expansion of the retainer 82 allows the spherical surface 90 to slide into the retainer 82 until the outer surface 90 of the shank upper portion 78 is in sliding pivotal cooperation with the inner surface 140 of the retainer 82. The retainer 82 resiliently returns to the original ring-link orientation, with the spherical surface 140 capturing the shank upper portion 78 at the spherical surface 90, but allowing for pivotal, sliding movement or articulation of the retainer 82 with respect to the shank upper portion 78. Once the retainer 82 returns to the original orientation, both the connected structures 78 and 82 drop down to a seated position with the retainer 82 independently slidable with respect to both the shank upper portion 78 and the receiver 80, forming a multi- or compound articulation or joint between the shank 74 and the receiver 80. The compression member 84 may then be pressed downwardly and into full contact with the surface 90. It is noted that the receiver 80 may include an inner ledge, ridge or inwardly extending protrusion or protrusions to ensure that the compression member 84 does not slip out of the upper opening of the receiver 80.

The compression member 84, the retainer 82 and the attached shank upper portion 78 may then be manipulated into a substantially coaxial position in readiness for bone implantation. The assembly 15 is typically screwed into a bone, such as a vertebra (not shown), by rotation of the shank 74 using a driving tool (not shown) that operably drives and rotates the shank 74 by engagement thereof with the drive feature 94.

Typically, the receiver 80, the compression member 84, and the retainer 82 are assembled on the shank 74 before inserting the shank body 76 into a vertebra. However, in certain circumstances, such as when a small bone screw is utilized and the retainer is top loadable, the shank body 76 can be first partially implanted with the shank upper portion 78 extending proud to allow assembly with the receiver 80, followed by assembly with a top loaded retainer 12 and a top loaded compression member 84. Then the shank body 76 can be further driven into the vertebra.

The vertebra (not shown) may be pre-drilled to minimize stressing the bone and have a guide wire (not shown) inserted to provide a guide for the placement and angle of the shank 74 with respect to the vertebra. A further tap hole may be made using a tap with the guide wire as a guide. Then, the bone screw assembly 15 or the solitary shank 74, is threaded onto the guide wire utilizing the cannulation bore 95 by first threading the wire into the opening at the bottom 88 and then out of the top opening at the drive feature 94. The shank 74 is then driven into the vertebra using the wire as a placement guide. It is foreseen that the screws 15 and the longitudinal connecting member assembly 1 can be inserted in a percutaneous or minimally invasive surgical manner.

The sleeve 10 is typically cut to size by the surgeon for closely fitting between a pair of adjacent bone screw assemblies 15. The longitudinal connecting member assembly 1 that has been fabricated to include the rigid member 6 with the elastomeric member 7 molded thereto is then assembled with

13

the sleeve **10** by inserting an end of either the member **6** or the member **7** into the bore **56** defined by the inner surfaces **58** of the outer sleeve **10**. The sleeve **10** is moved into position over the central portion **8**, thus covering the rod portion **24** and the member **7** connection portion **34**.

With reference to FIG. **8**, the longitudinal connecting member assembly **1** is eventually positioned in an open or percutaneous manner in cooperation with the at least two bone screw assemblies **15** with the sleeve **10** disposed between the two bone screw receivers **80** and a portion of the member **6** within one receiver **80** and a portion of the member **7** within the other receiver **80**. A closure structure **65** is then inserted into and advanced between the arms **104** of each of the bone screw assemblies **15**. The closure structure **65** is rotated, using a tool engaged with the inner drive **176** until a selected pressure is reached at which point the members **6** and **7** are each urged toward, but not completely seated on the lower seat **108**. For example, about 80 to about 120 inch pounds pressure may be required for fixing each bone screw shank **74** with respect to the receiver **80**.

As each closure structure **65** rotates and moves downwardly into the respective receiver **80**, the bottom surface **178** presses against the longitudinal connecting member assembly member **6** or **7** and the structure **65** biases the member **6** or **7** downward into engagement with the compression member **84** that operably produces a frictional engagement between the member **84** and the shank surface **90** and also urges the shank upper portion **78** toward the retainer **82** and, in turn, the structure **82** toward the base **102** of the receiver **80**, so as to frictionally seat the spherical surface **90** against the inner spherical surface **140** of the retainer **82** and the outer spherical surface **150** of the retainer **82** against the internal spherical seating surface **124** of the receiver **80**, also fixing the shank **74** and the retainer **82** in a selected, rigid position relative to the receiver **80**. At this time it is also possible for the retainer **82** to expand somewhat for an even tighter fit in the receiver cavity **122**.

It is foreseen that an assembly **1** according to the invention may cooperate with an open receiver that is integral or fixed in position with respect to a bone screw shank or bone hook, or with a receiver having limited angular movement with respect to the shank, such as a hinged connection, also with or without other compression members or inserts for fixing the assembly **1**, the receiver and/or the bone anchor in a desired position or orientation with respect to the cooperating vertebrae.

As indicated previously herein, as the closure structures **65** are rotated and then tightened against the members **6** and **7** within a pair of spaced bone screw receivers **80**, such bone screw receivers **80** may be tilted or otherwise pressed toward one another, thereby compressing the sleeve **10**. When the insertion and tightening tools are removed, the sleeve **10**, pressing against facing surfaces **120** of the cooperating bone screw receivers **80**, stretches and tensions the elastomeric member **7** that is part of the transition portion **8** that is disposed between such cooperating bone screw receivers **80**. The assembly **1** is thus substantially dynamically loaded and oriented relative to the cooperating vertebra, providing relief (e.g., shock absorption) and protected movement with respect to flexion, extension, distraction and compressive forces placed on the assembly **1** and the two connected bone screws **15**. The member **7** also allows the central portion **8** to twist or turn, providing relief for torsional stresses. The sleeve **10** limits such torsional movement as well as bending movement of the central connection portion **8**, providing spinal support. Furthermore, because the sleeve **10** is compressed during installation, the sleeve advantageously allows for some protected extension or distraction of both the central connection

14

portion **8** and the sleeve **10** as well as compression of the assembly **1** in cooperation with the central connection portion **8**.

If removal of the assembly **1** from any of the bone screw assemblies **15** is necessary, or if it is desired to release the assembly **1** at a particular location, disassembly is accomplished by using the driving tool (not shown) that mates with the internal drive **176** on the closure structure **65** to rotate and remove the closure structure **65** from the cooperating receiver **80**. Disassembly is then accomplished in reverse order to the procedure described previously herein for assembly.

Eventually, if the spine requires more rigid support, the connecting member assembly **1** according to the invention may be removed and replaced with another longitudinal connecting member, such as a solid rod, having the same diameter as the member **6** or a solid bar with the same width as the member **7**, utilizing the same receivers **80** and closure structures **65**. Furthermore, it is noted that the members **6** and **7** may be elongate, allowing for connection of both rigid rod portions and/or elastomeric portions of the assembly **1** with additional bone screws or other bone anchors along a patient's spine. A connecting member assembly according to the invention may also include more than one transition portion **8** along a length thereof. Thus, such a connecting member may include various and alternating lengths of rigid and flexible support.

With reference to FIGS. **9-11**, an alternative longitudinal connecting member assembly embodiment according to the invention, generally **201** includes a first rigid member **206**, a second more flexible, elastomeric member **207** and a central, dynamic connection or transition portion or segment **208** disposed at and near a juncture of the members **206** and **207**. The transition portion or segment **208** is receivable in a spacer or sleeve **210** with the sleeve **210** ultimately in position about the segment **208** when the assembly **201** is operatively assembled with at least a pair of bone screw assemblies **215** and **216** as illustrated in FIG. **8**. Specifically, the connecting member assembly **201** is illustrated with the bone screw assembly **215** that is an open, monoaxial bone screw having a fixed shank **217** and cooperating with a closure top **218** substantially similar to the closure structure **65** previously described herein; and also shown with the bone screw assembly **216** that is a closed monoaxial bone screw having a fixed shank **219** and cooperating with a set screw **220**.

The rigid member **206** is in the form of a rod identical or substantially similar to the rigid member **6** previously described herein with respect to the assembly **1**. Thus, the member **206** includes an apertured portion **224** identical or substantially similar to the portion **24** previously described herein with respect to the rigid member **6**. The elastomeric member **207** is substantially similar to the member **7** previously described herein with respect to the assembly **1** with the exception that the member **207** is in the form of a rod having substantially the same diameter as the rod **206**. Similar to the member **7**, the member **207** is molded with a connection portion **234** (similar to the portion **34** of the member **7**) that flows into the apertures of the rod portion **224** during fabrication of the longitudinal connecting member assembly **201**. The sleeve or spacer **210** is substantially similar to the spacer **10** previously described herein with respect to the assembly **1** with the exception that the sleeve **210** includes a central bore **256** having a circular cross-section that slidably receives the cylindrical members **206** and **207**.

As with the assembly **1**, and as illustrated in FIG. **9**, the assembly **201** readily cooperates with a wide variety of bone anchors and closures, and thus is not limited in use to the particular bone screws disclosed herein. In use, the longitu-



15

dinal connecting member assembly **201** is factory fabricated to provide the flexible central transition portion **208**. The sleeve **210** is slidable onto both the rigid portion **206** and the elastomeric portion **207**, and placable about the central or transition portion **208**. The sleeve **210** (as well as the sleeve **10** previously described herein) may be cut to the precise desired size by the surgeon. The connecting member assembly **201** is eventually positioned in an open or percutaneous manner in cooperation with the bone screws **215** and **216** with the sleeve **210** disposed between the two bone screws **216** and **217** and fitting closely therebetween. As with the assembly **1**, closure structures or screws **218** and **220** are inserted into the bone screws and the sleeve **210** may be compressed by moving the bone screws **215** and **216** toward one another during tightening of the closure structures within the bone screw receivers. When the insertion and tightening tools are removed, the sleeve **210**, pressing against facing surfaces of the adjacent cooperating bone screw receivers, stretches and tensions the member **207** that is part of the central connection portion **208**. The assembly **201** is thus substantially dynamically loaded and oriented relative to the cooperating vertebra, providing relief (e.g., shock absorption) and protected movement with respect to flexion, extension, distraction and compressive forces placed on the assembly **201** and the two connected bone screws **215** and **216**. The elastomeric member **207** at the central portion **208** allows the central portion **208** to twist or turn, providing relief for torsional stresses. The sleeve **210** limits such torsional movement as well as bending movement of the central connection/transition portion **208**, providing spinal support. Furthermore, because the sleeve **210** is compressed during installation, the sleeve advantageously allows for some protected extension or distraction of both the central connection portion **208** and the sleeve **210** as well as compression of the assembly **201** in cooperation with the central connection portion **208**.

It is to be understood that while certain forms of the present invention have been illustrated and described herein, it is not to be limited to the specific forms or arrangement of parts described and shown.

What is claimed and desired to be secured by Letters Patent is as follows:

1. In a medical implant assembly having at least two bone attachment structures cooperating with an elongate longitudinal connecting member, the improvement wherein the connecting member comprises:

- a) a transition portion disposed between the bone attachment structures, the transition portion having
  - i) a substantially solid rigid segment attached to one of the bone attachment structures and having an end; and
  - ii) an elastomeric segment cooperating with the bone attachment structure and being pre-tensioned, an end portion of the elastomeric segment secured to the end of the rigid segment; and
- b) an outer sleeve completely covering the transition portion, the outer sleeve being positioned between the bone attachment structures and being under compression.

2. The improvement of claim 1 wherein the rigid segment is a rod of substantially circular cross-section.

16

3. The improvement of claim 1 wherein the elastomeric segment is a bar of rectangular cross-section.

4. The improvement of claim 1 wherein the rigid segment has a plurality of bores near the end and the elastomeric segment is disposed within and completely fills the bores.

5. The improvement of claim 1 wherein the sleeve extends between and makes contact with the at least two bone attachment structures.

6. The improvement of claim 1 wherein the sleeve is compressed during installation.

7. The improvement of claim 1 wherein the sleeve has at least one groove formed in a surface thereof.

8. In a medical implant assembly having at least two bone attachment structures cooperating with an elongate longitudinal connecting member, the improvement wherein the connecting member comprises:

- a) a transition portion disposed between the bone attachment structures, the transition portion having
  - i) a solid rigid segment with at least one through bore located near an end of the rigid segment, the rigid segment being attached to one of the bone attachment structures; and
  - ii) an elastomeric segment cooperating with the anchor and being pre-tensioned, a portion of the elastomeric segment disposed within and filling the at least one through bore; and
- b) an outer sleeve completely covering the transition portion, the outer sleeve being positioned between the bone attachment structures and being under compression.

9. The improvement of claim 8 wherein the rigid segment is a rod of substantially circular cross-section.

10. The improvement of claim 8 wherein the elastomeric segment is a bar of rectangular cross-section.

11. The improvement of claim 8 wherein the bore is a plurality of bores.

12. The improvement of claim 8 wherein the sleeve extends between and makes contact with the at least two bone attachment structures.

13. The improvement of claim 8 wherein the sleeve is compressed during installation.

14. The improvement of claim 8 wherein the sleeve has at least one groove formed in a surface thereof.

15. In a medical implant assembly having at least two bone attachment structures cooperating with an elongate longitudinal connecting member, the improvement wherein the connecting member comprises:

- a) a transition portion disposed between the bone attachment structures, the transition portion having
  - i) a solid rigid rod with a plurality of through bores located near an end thereof, the rigid rod being attached to one of the bone attachment structures; and
  - ii) an elastomeric bar, a portion of the bar disposed within and completely filling all of the through bores, the elastomeric bar cooperating with the anchor and being pre-tensioned; and
- b) an outer sleeve completely covering the transition portion, the outer sleeve being positioned between the bone attachment structures and being under compression.

\* \* \* \* \*