



US00D586063S

(12) **United States Design Patent**  
**Wolford et al.**

(10) **Patent No.:** **US D586,063 S**

(45) **Date of Patent:** **\*\* Feb. 3, 2009**

(54) **SPORT HELMET SHAPED LID FOR RECEPTACLE**

D379,023 S \* 4/1997 August ..... D99/37  
D507,181 S \* 7/2005 Malik ..... D9/451  
D532,172 S \* 11/2006 Gianfrisco ..... D34/4

(75) Inventors: **Stephen Wolford**, Phoenix, MD (US);  
**Clint Jurgenson**, Belair, MD (US);  
**Ethan Burd**, Forest Hill, MD (US)

\* cited by examiner

(73) Assignee: **Fan Cans, LLC**, Phoenix, MD (US)

*Primary Examiner*—Cynthia E Ramirez  
(74) *Attorney, Agent, or Firm*—Whiteford, Taylor & Preston  
LLP; Gregory M. Stone; Jeffrey C. Maynard

(\*\*) Term: **14 Years**

(21) Appl. No.: **29/289,551**

(57) **CLAIM**

(22) Filed: **Jul. 23, 2007**

The ornamental design for a sport helmet shaped lid for receptacle, as shown and described.

**Related U.S. Application Data**

(62) Division of application No. 29/230,329, filed on May 19, 2005, now Pat. No. Des. 547,516.

**DESCRIPTION**

(51) **LOC (9) Cl.** ..... **09-09**  
(52) **U.S. Cl.** ..... **D34/4; D34/7**  
(58) **Field of Classification Search** ..... D34/1,  
D34/4, 10, 11; D7/604, 606, 625; D9/441,  
D9/451, 435; D11/133, 172, 184, 157; 220/908  
See application file for complete search history.

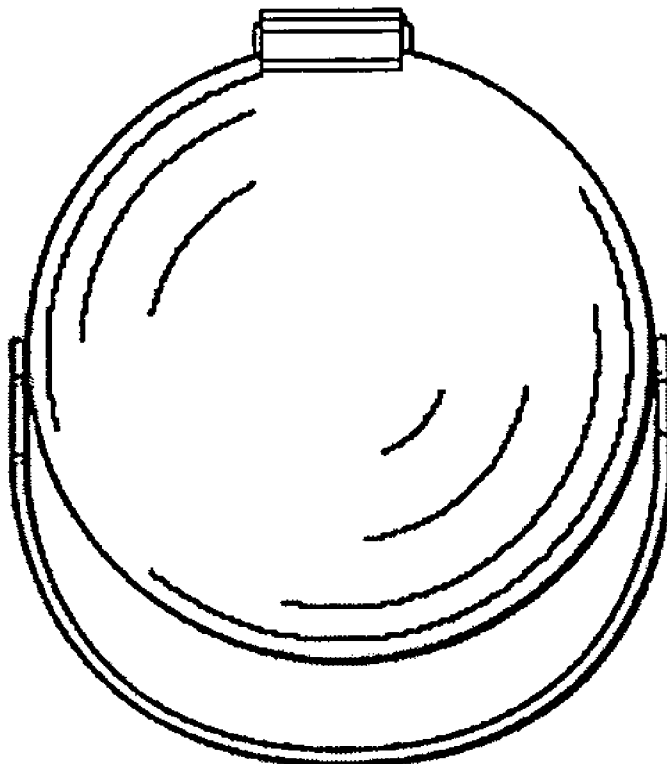
FIG. 1 is a top view of the present invention in the form of a sport helmet shaped lid for receptacle;  
FIG. 2 is a right side view thereof showing the receptacle's top flipped upward;  
FIG. 3 is a front view thereof;  
FIG. 4 is a right side view thereof showing the receptacle's top closed; and,  
FIG. 5 is a bottom view thereof.

(56) **References Cited**

**U.S. PATENT DOCUMENTS**

D209,219 S \* 11/1967 Goldstein et al. .... D99/37

**1 Claim, 3 Drawing Sheets**



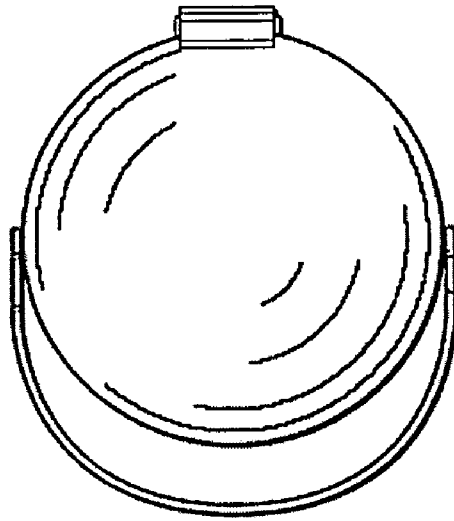


FIG. 1

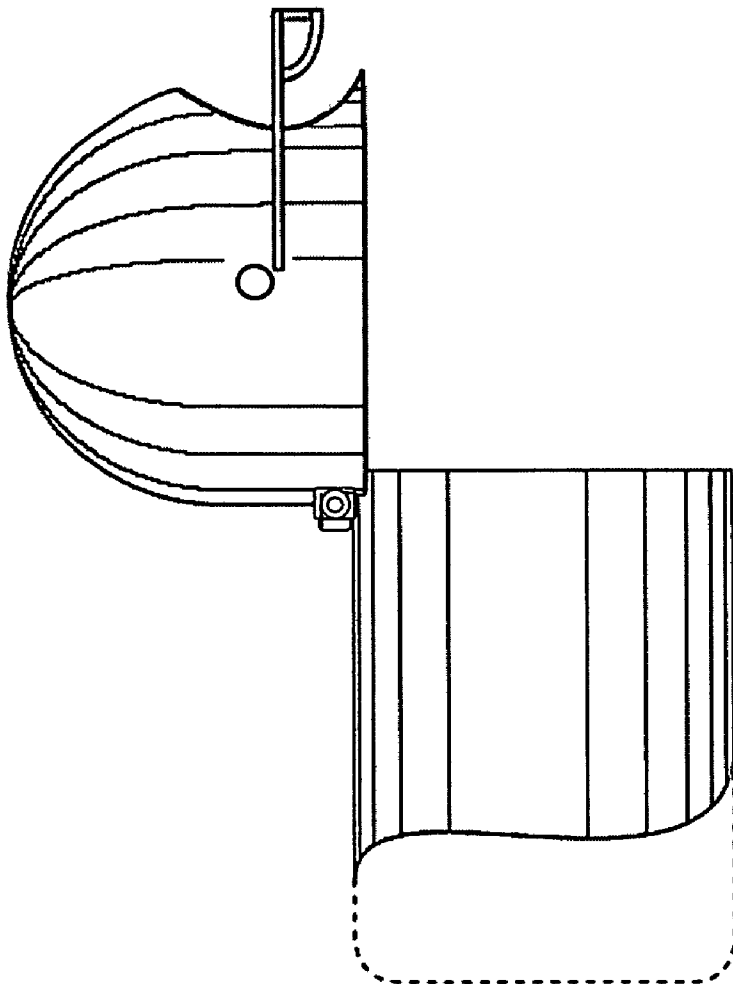


FIG. 2

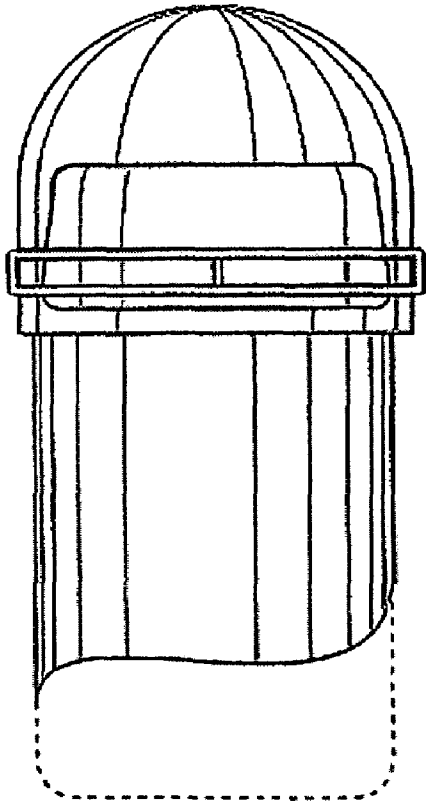


FIG. 3

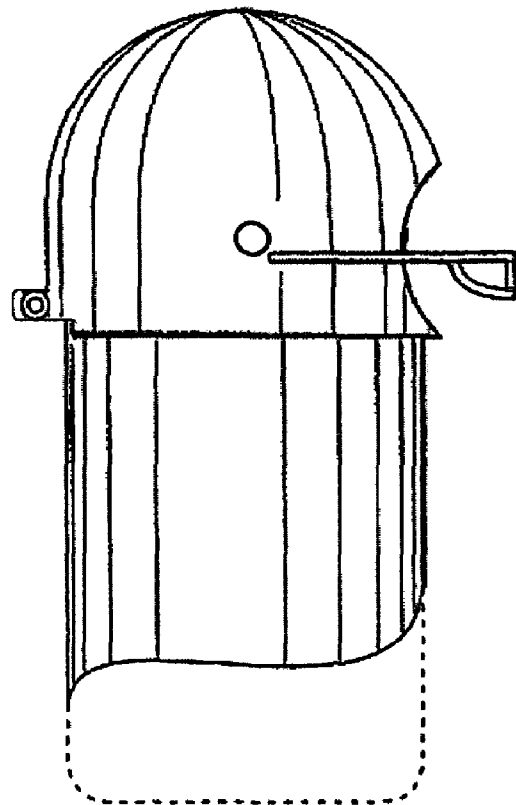


FIG. 4

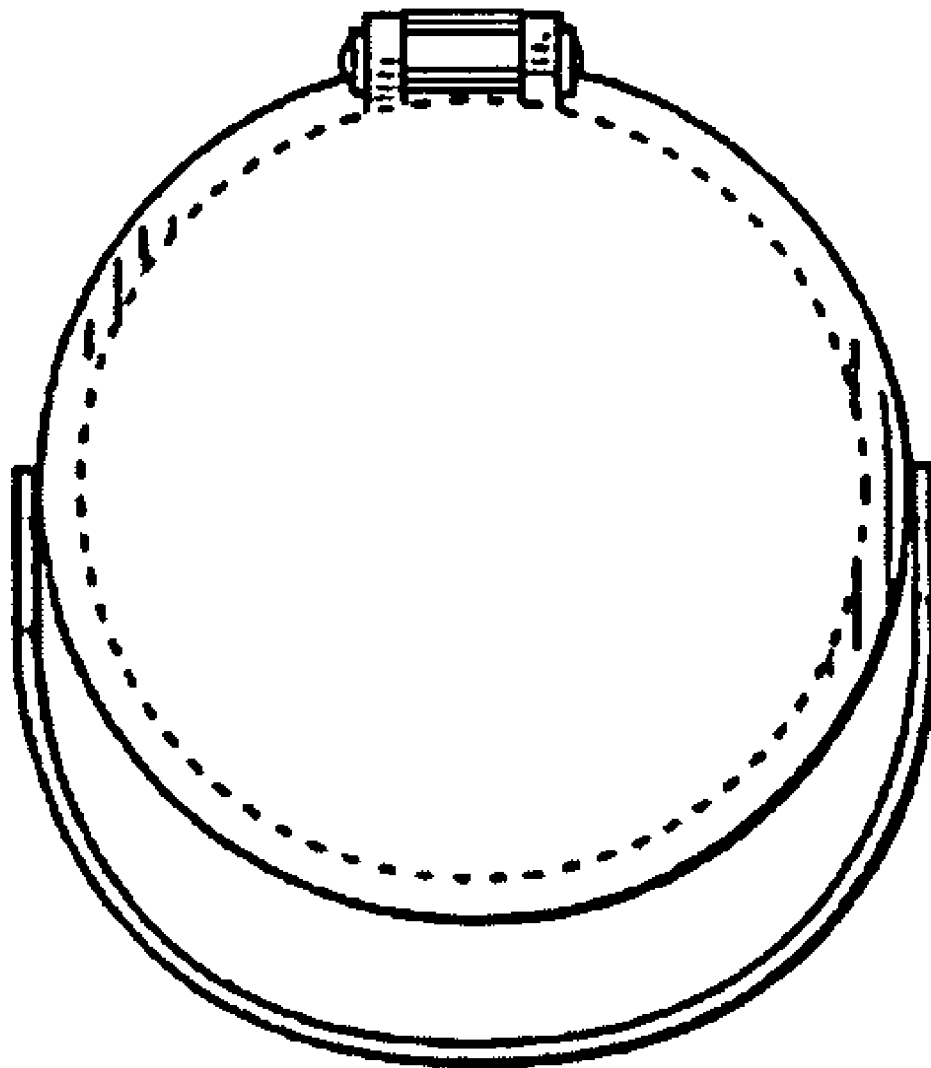


FIG. 5