

(19) World Intellectual Property Organization
International Bureau



(43) International Publication Date
11 October 2001 (11.10.2001)

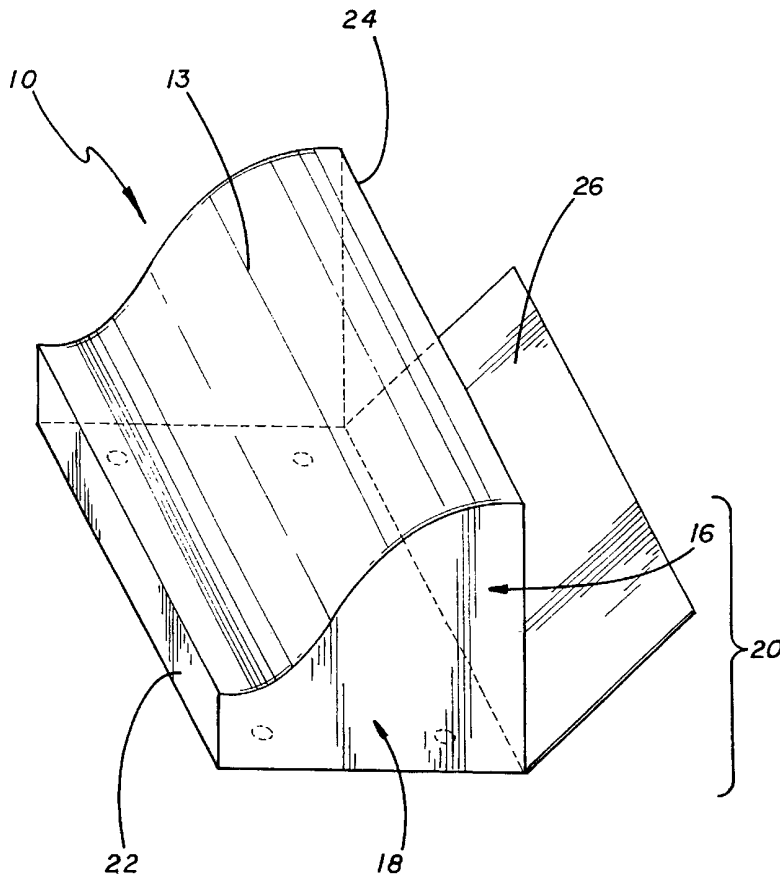
PCT

(10) International Publication Number
WO 01/74651 A3

- (51) International Patent Classification⁷: **B62D 35/00**, 33/027
- (74) Agent: **CULLMAN, Louis, C.**; Oppenheimer Wolff & Donnelly LLP, 840 Newport Center Drive, Suite 700, Newport Beach, CA 92660 (US).
- (21) International Application Number: PCT/US01/10058
- (22) International Filing Date: 31 March 2001 (31.03.2001)
- (25) Filing Language: English
- (26) Publication Language: English
- (30) Priority Data:
09/540,116 31 March 2000 (31.03.2000) US
- (81) Designated States (*national*): AE, AG, AL, AM, AT, AU, AZ, BA, BB, BG, BR, BY, BZ, CA, CH, CN, CR, CU, CZ, DE, DK, DM, DZ, EE, ES, FI, GB, GD, GE, GH, GM, HR, HU, ID, IL, IN, IS, JP, KE, KG, KP, KR, KZ, LC, LK, LR, LS, LT, LU, LV, MA, MD, MG, MK, MN, MW, MX, MZ, NO, NZ, PL, PT, RO, RU, SD, SE, SG, SI, SK, SL, TJ, TM, TR, TT, TZ, UA, UG, US, UZ, VN, YU, ZA, ZW.
- (84) Designated States (*regional*): ARIPO patent (GH, GM, KE, LS, MW, MZ, SD, SL, SZ, TZ, UG, ZW), Eurasian patent (AM, AZ, BY, KG, KZ, MD, RU, TJ, TM), European patent (AT, BE, CH, CY, DE, DK, ES, FI, FR, GB, GR, IE, IT, LU, MC, NL, PT, SE, TR), OAPI patent (BF, BJ, CF, CG, CI, CM, GA, GN, GW, ML, MR, NE, SN, TD, TG).
- (71) Applicants and
(72) Inventors: **ESTRADA, Fred** [US/US]; 400 South Flower, #42, Orange, CA 92868 (US). **CRONE, John, A.** [US/US]; 6072 Acacia Hill Drive, Yorba Linda, CA 92024 (US).

[Continued on next page]

(54) Title: TRUCK BED AERODYNAMIC AID



(57) Abstract: This device (10) directs air to smoothly accelerate to laminar flow over the tailgate of a truck. In addition, the laminar flow device defines a space that may be used as a storage space (20). This space may be further defined by coupling the laminar flow device to side panels (16), and a floor panel (18) to form a secure aerodynamic container. The box is aerodynamic in design and reduces the aerodynamic drag of a truck bed.



WO 01/74651 A3



Published:

— with international search report

For two-letter codes and other abbreviations, refer to the "Guidance Notes on Codes and Abbreviations" appearing at the beginning of each regular issue of the PCT Gazette.

(88) Date of publication of the international search report:

28 February 2002

INTERNATIONAL SEARCH REPORT

International Application No

PCT/US 01/10058

A. CLASSIFICATION OF SUBJECT MATTER
 IPC 7 B62D35/00 B62D33/027

According to International Patent Classification (IPC) or to both national classification and IPC

B. FIELDS SEARCHED

Minimum documentation searched (classification system followed by classification symbols)

IPC 7 B62D B60R

Documentation searched other than minimum documentation to the extent that such documents are included in the fields searched

Electronic data base consulted during the international search (name of data base and, where practical, search terms used)

EPO-Internal, WPI Data, PAJ

C. DOCUMENTS CONSIDERED TO BE RELEVANT

Category	Citation of document, with indication, where appropriate, of the relevant passages	Relevant to claim No.
X	US 5 498 058 A (KUO CHEN-HSIUNG) 12 March 1996 (1996-03-12) figures 1-3,5,7,9 column 2, line 1 -column 3, line 7	1,3,4,6, 8,9
A	---	11,12,15
A	US 5 232 259 A (BOOKER ROBERT F) 3 August 1993 (1993-08-03) figures 1-5 column 3, line 4 -column 3, line 59	1,3,4,6, 8,9
A	US 4 159 843 A (CROSSMAN MILTON R) 3 July 1979 (1979-07-03) figures 1-4 column 2, line 3 -column 2, line 20	1,4,6,9, 11,15
	--- -/--	

Further documents are listed in the continuation of box C.

Patent family members are listed in annex.

° Special categories of cited documents :

- *A* document defining the general state of the art which is not considered to be of particular relevance
- *E* earlier document but published on or after the international filing date
- *L* document which may throw doubts on priority claim(s) or which is cited to establish the publication date of another citation or other special reason (as specified)
- *O* document referring to an oral disclosure, use, exhibition or other means
- *P* document published prior to the international filing date but later than the priority date claimed

- *T* later document published after the international filing date or priority date and not in conflict with the application but cited to understand the principle or theory underlying the invention
- *X* document of particular relevance; the claimed invention cannot be considered novel or cannot be considered to involve an inventive step when the document is taken alone
- *Y* document of particular relevance; the claimed invention cannot be considered to involve an inventive step when the document is combined with one or more other such documents, such combination being obvious to a person skilled in the art.
- * & * document member of the same patent family

Date of the actual completion of the international search

15 October 2001

Date of mailing of the international search report

19/10/2001

Name and mailing address of the ISA

European Patent Office, P.B. 5818 Patentlaan 2
 NL - 2280 HV Rijswijk
 Tel. (+31-70) 340-2040. Tx. 31 651 epo nl,
 Fax: (+31-70) 340-3016

Authorized officer

Deraymaeker, D

INTERNATIONAL SEARCH REPORT

International Application No

PCT/US 01/10058

C.(Continuation) DOCUMENTS CONSIDERED TO BE RELEVANT

Category	Citation of document, with indication, where appropriate, of the relevant passages	Relevant to claim No.
A	US 4 506 870 A (PENN WILLIAM) 26 March 1985 (1985-03-26) figure 1 column 1, line 56 -column 2, line 48 -----	1,3

INTERNATIONAL SEARCH REPORT

Information on patent family members

International Application No

PCT/US 01/10058

Patent document cited in search report	Publication date	Patent family member(s)	Publication date
US 5498058	A	12-03-1996	NONE
US 5232259	A	03-08-1993	NONE
US 4159843	A	03-07-1979	NONE
US 4506870	A	26-03-1985	NONE