



- (51) **International Patent Classification:**
B25J 19/06 (2006.01)
- (21) **International Application Number:**
PCT/US2022/044704
- (22) **International Filing Date:**
26 September 2022 (26.09.2022)
- (25) **Filing Language:** English
- (26) **Publication Language:** English
- (30) **Priority Data:**
63/251,416 01 October 2021 (01.10.2021) US
- (71) **Applicant: INTUITIVE SURGICAL OPERATIONS, INC.** [US/US]; 1020 Kifer Road, Sunnyvale, California 94086 (US).
- (72) **Inventors: BALDWIN, Michael;** 1020 Kifer Road, Sunnyvale, California 94086 (US). **BURBANK, William, A.;** 1020 Kifer Road, Sunnyvale, California 94086 (US). **JOE, Wesley, Chung;** 1020 Kifer Road, Sunnyvale, California 94086 (US).
- (74) **Agent: CAPPS, R., Shane et al.;** ReavesColey PLLC, 1818 Library Street, Suite 500, Reston, Virginia 20190 (US).

(81) **Designated States** (unless otherwise indicated, for every kind of national protection available): AE, AG, AL, AM, AO, AT, AU, AZ, BA, BB, BG, BH, BN, BR, BW, BY, BZ, CA, CH, CL, CN, CO, CR, CU, CV, CZ, DE, DJ, DK, DM, DO, DZ, EC, EE, EG, ES, FI, GB, GD, GE, GH, GM, GT, HN, HR, HU, ID, IL, IN, IQ, IR, IS, IT, JM, JO, JP, KE, KG, KH, KN, KP, KR, KW, KZ, LA, LC, LK, LR, LS, LU, LY, MA, MD, ME, MG, MK, MN, MW, MX, MY, MZ, NA, NG, NI, NO, NZ, OM, PA, PE, PG, PH, PL, PT, QA, RO, RS, RU, RW, SA, SC, SD, SE, SG, SK, SL, ST, SV, SY, TH, TJ, TM, TN, TR, TT, TZ, UA, UG, US, UZ, VC, VN, WS, ZA, ZM, ZW.

(84) **Designated States** (unless otherwise indicated, for every kind of regional protection available): ARIPO (BW, GH, GM, KE, LR, LS, MW, MZ, NA, RW, SD, SL, ST, SZ, TZ, UG, ZM, ZW), Eurasian (AM, AZ, BY, KG, KZ, RU, TJ, TM), European (AL, AT, BE, BG, CH, CY, CZ, DE, DK, EE, ES, FI, FR, GB, GR, HR, HU, IE, IS, IT, LT, LU, LV, MC, MK, MT, NL, NO, PL, PT, RO, RS, SE, SI, SK, SM, TR), OAPI (BF, BJ, CF, CG, CI, CM, GA, GN, GQ, GW, KM, ML, MR, NE, SN, TD, TG).

Declarations under Rule 4.17:

— as to applicant's entitlement to apply for and be granted a patent (Rule 4.17(ii))

(54) **Title:** MECHANISM FOR MANUALLY ACTIVATED TOOL ADJUSTMENT

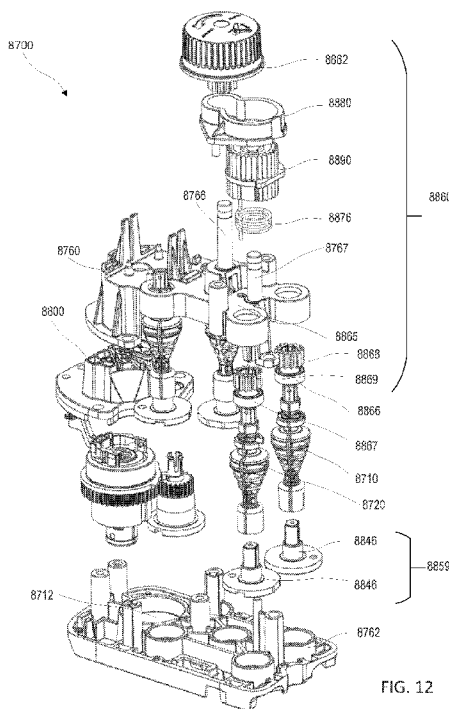


FIG. 12

(57) **Abstract:** A medical device includes a manual drive structure having a manual drive input member and a manual drive coupling member. The medical device also includes a first tool drive member including a first motor drive input member and a second tool drive member including a second motor drive input member. The first tool drive member is coupled to and driven by the manual drive input member via the manual drive coupling member and the second tool drive member is coupled to and driven by the manual drive input member via the manual drive coupling member.



Published:

- *with international search report (Art. 21(3))*
- *before the expiration of the time limit for amending the claims and to be republished in the event of receipt of amendments (Rule 48.2(h))*

(88) Date of publication of the international search report:

11 May 2023 (11.05.2023)

INTERNATIONAL SEARCH REPORT

International application No
PCT/US2022/044704

A. CLASSIFICATION OF SUBJECT MATTER
INV. B25J19/06
ADD.

According to International Patent Classification (IPC) or to both national classification and IPC

B. FIELDS SEARCHED

Minimum documentation searched (classification system followed by classification symbols)
A61B B25J

Documentation searched other than minimum documentation to the extent that such documents are included in the fields searched

Electronic data base consulted during the international search (name of data base and, where practicable, search terms used)

EPO-Internal, WPI Data

C. DOCUMENTS CONSIDERED TO BE RELEVANT

Category*	Citation of document, with indication, where appropriate, of the relevant passages	Relevant to claim No.
X	<p>US 2014/257333 A1 (BLUMENKRANZ STEPHEN J [US]) 11 September 2014 (2014-09-11) paragraphs [0003], [0055]; figure 1 paragraph [0060] paragraphs [0067], [0068], [0071]; figures 8, 9a, 9b</p> <p style="text-align: center;">-----</p>	1-4, 13
A	<p>US 2020/060516 A1 (BAEZ JR LUIS ANDRADE [US]) 27 February 2020 (2020-02-27) paragraphs [0163] - [0174]; figure 21 paragraphs [0186] - [0188]; figure 22</p> <p style="text-align: center;">-----</p>	1-4, 13

Further documents are listed in the continuation of Box C.

See patent family annex.

* Special categories of cited documents :

- "A" document defining the general state of the art which is not considered to be of particular relevance
- "E" earlier application or patent but published on or after the international filing date
- "L" document which may throw doubts on priority claim(s) or which is cited to establish the publication date of another citation or other special reason (as specified)
- "O" document referring to an oral disclosure, use, exhibition or other means
- "P" document published prior to the international filing date but later than the priority date claimed

- "T" later document published after the international filing date or priority date and not in conflict with the application but cited to understand the principle or theory underlying the invention
- "X" document of particular relevance; the claimed invention cannot be considered novel or cannot be considered to involve an inventive step when the document is taken alone
- "Y" document of particular relevance; the claimed invention cannot be considered to involve an inventive step when the document is combined with one or more other such documents, such combination being obvious to a person skilled in the art
- "&" document member of the same patent family

Date of the actual completion of the international search

Date of mailing of the international search report

26 January 2023

24/03/2023

Name and mailing address of the ISA/
 European Patent Office, P.B. 5818 Patentlaan 2
 NL - 2280 HV Rijswijk
 Tel. (+31-70) 340-2040,
 Fax: (+31-70) 340-3016

Authorized officer

Schmidt, Matthias

INTERNATIONAL SEARCH REPORT

International application No.
PCT/US2022/044704

Box No. II Observations where certain claims were found unsearchable (Continuation of item 2 of first sheet)

This international search report has not been established in respect of certain claims under Article 17(2)(a) for the following reasons:

1. Claims Nos.:
because they relate to subject matter not required to be searched by this Authority, namely:

2. Claims Nos.:
because they relate to parts of the international application that do not comply with the prescribed requirements to such an extent that no meaningful international search can be carried out, specifically:

3. Claims Nos.:
because they are dependent claims and are not drafted in accordance with the second and third sentences of Rule 6.4(a).

Box No. III Observations where unity of invention is lacking (Continuation of item 3 of first sheet)

This International Searching Authority found multiple inventions in this international application, as follows:

see additional sheet

1. As all required additional search fees were timely paid by the applicant, this international search report covers all searchable claims.
2. As all searchable claims could be searched without effort justifying an additional fees, this Authority did not invite payment of additional fees.
3. As only some of the required additional search fees were timely paid by the applicant, this international search report covers only those claims for which fees were paid, specifically claims Nos.:

4. No required additional search fees were timely paid by the applicant. Consequently, this international search report is restricted to the invention first mentioned in the claims;; it is covered by claims Nos.:
2-4, 13 (completely); 1 (partially)

Remark on Protest

- The additional search fees were accompanied by the applicant's protest and, where applicable, the payment of a protest fee.
- The additional search fees were accompanied by the applicant's protest but the applicable protest fee was not paid within the time limit specified in the invitation.
- No protest accompanied the payment of additional search fees.

FURTHER INFORMATION CONTINUED FROM PCT/ISA/ 210

This International Searching Authority found multiple (groups of) inventions in this international application, as follows:

1. claims: 2-4, 13(completely); 1(partially)

allowing manual drive input member to control first and second tool drive members

2. claims: 5-12, 14-35(completely); 1(partially)

limiting torque transfer from tool drive member to manual drive input member

3. claim: 36

preventing simultaneous, motor-driven and manual, tool actuation

INTERNATIONAL SEARCH REPORT

Information on patent family members

International application No

PCT/US2022/044704

Patent document cited in search report	Publication date	Patent family member(s)	Publication date
US 2014257333 A1	11-09-2014	CN 105025829 A	04-11-2015
		EP 2964123 A1	13-01-2016
		EP 4035615 A1	03-08-2022
		JP 6453777 B2	16-01-2019
		JP 2016515847 A	02-06-2016
		KR 20150126608 A	12-11-2015
		US 2014257333 A1	11-09-2014
		WO 2014138365 A1	12-09-2014

US 2020060516 A1	27-02-2020	AU 2019326548 A1	18-03-2021
		CN 113164184 A	23-07-2021
		EP 3820384 A2	19-05-2021
		JP 2021534876 A	16-12-2021
		KR 20210052475 A	10-05-2021
		US 2020060516 A1	27-02-2020
		US 2021251472 A1	19-08-2021
		WO 2020041619 A2	27-02-2020
