

(19) World Intellectual Property Organization
International Bureau



(43) International Publication Date
21 August 2003 (21.08.2003)

PCT

(10) International Publication Number
WO 03/069378 A3

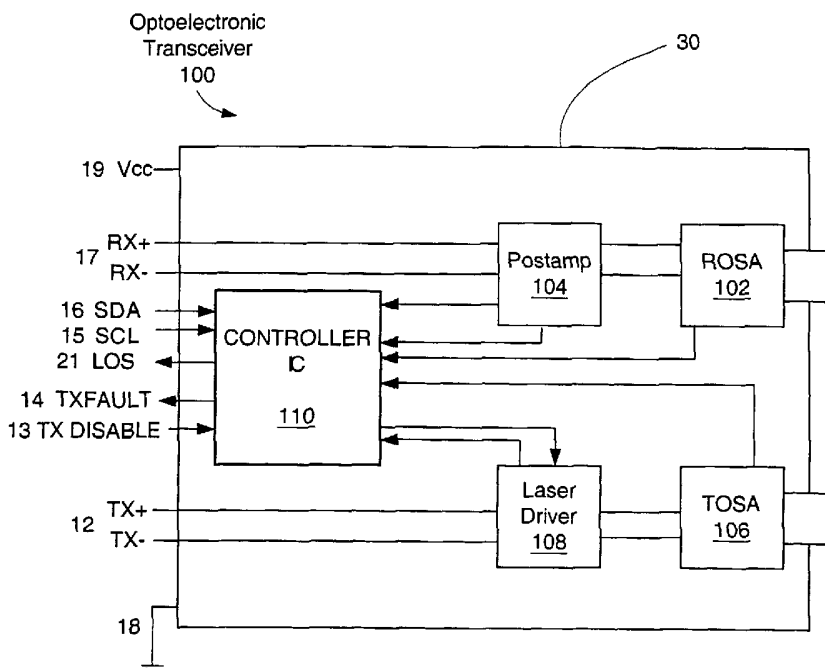
- (51) International Patent Classification⁷: G02B 6/12, H04B 10/00, 10/04
- (21) International Application Number: PCT/US03/04151
- (22) International Filing Date: 11 February 2003 (11.02.2003)
- (25) Filing Language: English
- (26) Publication Language: English
- (30) Priority Data:
 - 60/357,070 12 February 2002 (12.02.2002) US
 - 10/285,105 31 October 2002 (31.10.2002) US
 - 10/285,369 31 October 2002 (31.10.2002) US
- (71) Applicant: FINISAR CORPORATION [US/US]; 1308 Moffet Park Drive, Sunnyvale, CA 94089-1133 (US).
- (72) Inventors: CHIENG, Yew-Tai; 230B Tampines St., #05-31, Singapore, 525230 (SG). HSIEH, John; 10982 Northseal Square, Cupertino, CA 95014 (US). LIGHT, Greta, L.; 214 42nd Avenue, San Mateo, CA 94403 (US).
- (74) Agent: ISRAELSEN, Burns, R.; Workman, Nydegger & Seeley, 1000 Eagle Gate Tower, 60 East South Temple, Salt Lake City, UT 84111 (US).
- (81) Designated States (national): AE, AG, AL, AM, AT, AU, AZ, BA, BB, BG, BR, BY, BZ, CA, CH, CN, CO, CR, CU, CZ, DE, DK, DM, DZ, EC, EE, ES, FI, GB, GD, GE, GH, GM, HR, HU, ID, IL, IN, IS, JP, KE, KG, KP, KR, KZ, LC, LK, LR, LS, LT, LU, LV, MA, MD, MG, MK, MN, MW, MX, MZ, NO, NZ, OM, PH, PL, PT, RO, RU, SC, SD, SE, SG, SK, SL, TJ, TM, TN, TR, TT, TZ, UA, UG, UZ, VC, VN, YU, ZA, ZM, ZW.
- (84) Designated States (regional): ARIPO patent (GH, GM, KE, LS, MW, MZ, SD, SL, SZ, TZ, UG, ZM, ZW), Eurasian patent (AM, AZ, BY, KG, KZ, MD, RU, TJ, TM), European patent (AT, BE, BG, CH, CY, CZ, DE, DK, EE, ES, FI, FR, GB, GR, HU, IE, IT, LU, MC, NL, PT, SE, SI, SK, TR), OAPI patent (BF, BJ, CF, CG, CI, CM, GA, GN, GQ, GW, ML, MR, NE, SN, TD, TG).

Published:
— with international search report

(88) Date of publication of the international search report:
27 November 2003

[Continued on next page]

(54) Title: MAINTAINING DESIRABLE PERFORMANCE OF OPTICAL EMITTERS AT EXTREME TEMPERATURES



(57) Abstract: A method of maintaining desirable optical performance of an optoelectronic apparatus at extreme temperatures is disclosed. Monitoring connections are used for controller IC 110 to receive diagnostic feedback information from the transceiver components. A number of connections are made from the laser drive(108) to the controller IC(110), as well as similar connections from the ROSA(106) and Postamp(104) to the controller IC 110.



WO 03/069378 A3



For two-letter codes and other abbreviations, refer to the "Guidance Notes on Codes and Abbreviations" appearing at the beginning of each regular issue of the PCT Gazette.

INTERNATIONAL SEARCH REPORT

International application No.

PCT/US03/04151

A. CLASSIFICATION OF SUBJECT MATTER

IPC(7) : G02B 6/12; H04B 10/00, 10/04
 US CL : 359/152, 180, 189; 385/14

According to International Patent Classification (IPC) or to both national classification and IPC

B. FIELDS SEARCHED

Minimum documentation searched (classification system followed by classification symbols)
 U.S. : 359/152, 180, 189; 385/14; 372/38.02

Documentation searched other than minimum documentation to the extent that such documents are included in the fields searched

Electronic data base consulted during the international search (name of data base and, where practicable, search terms used)

C. DOCUMENTS CONSIDERED TO BE RELEVANT

Category *	Citation of document, with indication, where appropriate, of the relevant passages	Relevant to claim No.
X, P	US 2002/0149821 A1 (ARONSON et al.) 17 October 2002 (17.10.2002), the entire document	1 - 17

<input type="checkbox"/> Further documents are listed in the continuation of Box C.	<input type="checkbox"/> See patent family annex.
* Special categories of cited documents:	"T" later document published after the international filing date or priority date and not in conflict with the application but cited to understand the principle or theory underlying the invention
"A" document defining the general state of the art which is not considered to be of particular relevance	"X" document of particular relevance; the claimed invention cannot be considered novel or cannot be considered to involve an inventive step when the document is taken alone
"E" earlier application or patent published on or after the international filing date	"Y" document of particular relevance; the claimed invention cannot be considered to involve an inventive step when the document is combined with one or more other such documents, such combination being obvious to a person skilled in the art
"L" document which may throw doubts on priority claim(s) or which is cited to establish the publication date of another citation or other special reason (as specified)	"&" document member of the same patent family
"O" document referring to an oral disclosure, use, exhibition or other means	
"P" document published prior to the international filing date but later than the priority date claimed	

Date of the actual completion of the international search 07 May 2003 (07.05.2003)	Date of mailing of the international search report 29 AUG 2003
Name and mailing address of the ISA/US Commissioner of Patents and Trademarks Box PCT Washington, D.C. 20231 Facsimile No.	Authorized officer Paul Ip <i>Diane Amate</i> Telephone No. (703) 306-3329