



US00D518537S

(12) **United States Design Patent**
Lee et al.

(10) **Patent No.:** **US D518,537 S**

(45) **Date of Patent:** **** Apr. 4, 2006**

(54) **GOLF TEE FOR MAT**

6,328,663 B1 * 12/2001 Lipstock 473/396

(76) Inventors: **Hyung Choon Lee**, 86-18,
Dodang-dong, Wonmi-gu, Bucheon-si,
Kyungki-do, 420-803 (KR); **Seong Eun**
Lee, 86-1, Dodang-dong, Wonmi-gu,
Bucheon-si, Kyungki-do, 420-803 (KR)

FOREIGN PATENT DOCUMENTS

EP 0142243 A1 * 5/1985
GB 2290481 A * 1/1996
JP 05337226 A * 12/1993

(**) Term: **14 Years**

* cited by examiner

(21) Appl. No.: **29/222,000**

Primary Examiner—Catherine Tuttle
(74) *Attorney, Agent, or Firm*—Birch, Stewart, Kolasch &
Birch, LLP

(22) Filed: **Jan. 26, 2005**

(57) **CLAIM**

(51) **LOC (8) Cl.** **21-02**

The ornamental design for a golf tee for mat, as shown and described.

(52) **U.S. Cl.** **D21/717**

(58) **Field of Classification Search** D21/715–721,
D21/789–796; 473/386–403

See application file for complete search history.

DESCRIPTION

(56) **References Cited**

U.S. PATENT DOCUMENTS

D31,878 S * 11/1899 Sewall D21/717
2,661,213 A * 12/1953 Barnard 473/394
D216,904 S * 3/1970 Skyhawk D21/720
D266,860 S * 11/1982 Nelson D21/717
D270,463 S * 9/1983 Minotti D21/717
D306,751 S * 3/1990 Orton D21/717
5,156,403 A * 10/1992 Martino 473/278
5,242,161 A * 9/1993 Wilkirson 473/386
5,766,100 A * 6/1998 Dilmore 473/396
D420,076 S * 2/2000 Mezzadra D21/717
6,062,989 A * 5/2000 Wagner et al. 473/386

FIG. 1 is a perspective view of the golf tee for mat showing our new design;
FIG. 2 is a front view thereof, the rear view being identical to the front view;
FIG. 3 is a left side view thereof, the right side view being identical to the left side view;
FIG. 4 is a top view thereof;
FIG. 5 is a bottom view thereof; and,
FIG. 6 is a cross sectional view taken along line 6—6 of FIG. 5.

The portions shown in broken lines in FIG. 6 are for illustrative purposes only; and form no part of the claimed design.

1 Claim, 6 Drawing Sheets

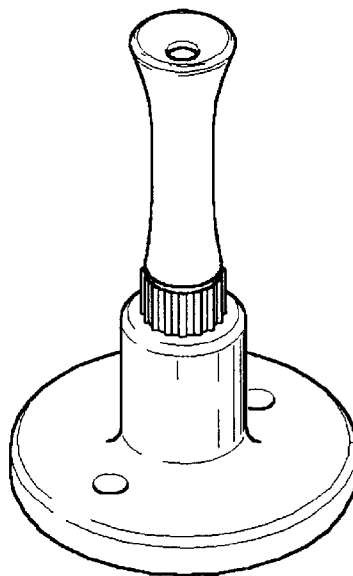


FIGURE 1

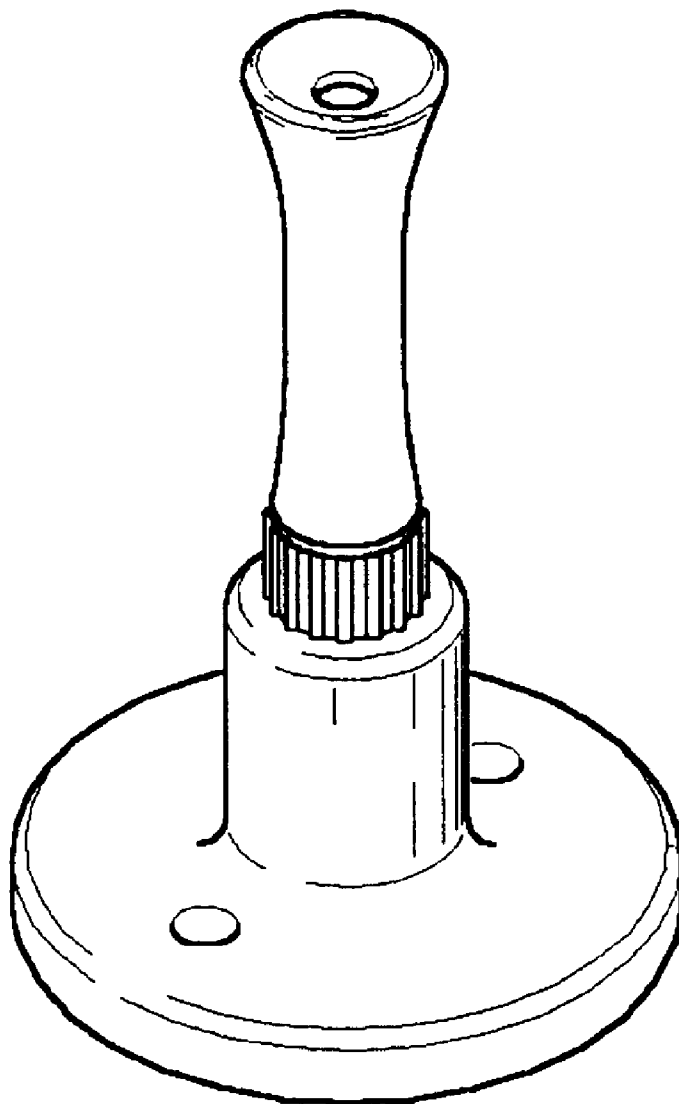


FIGURE 2

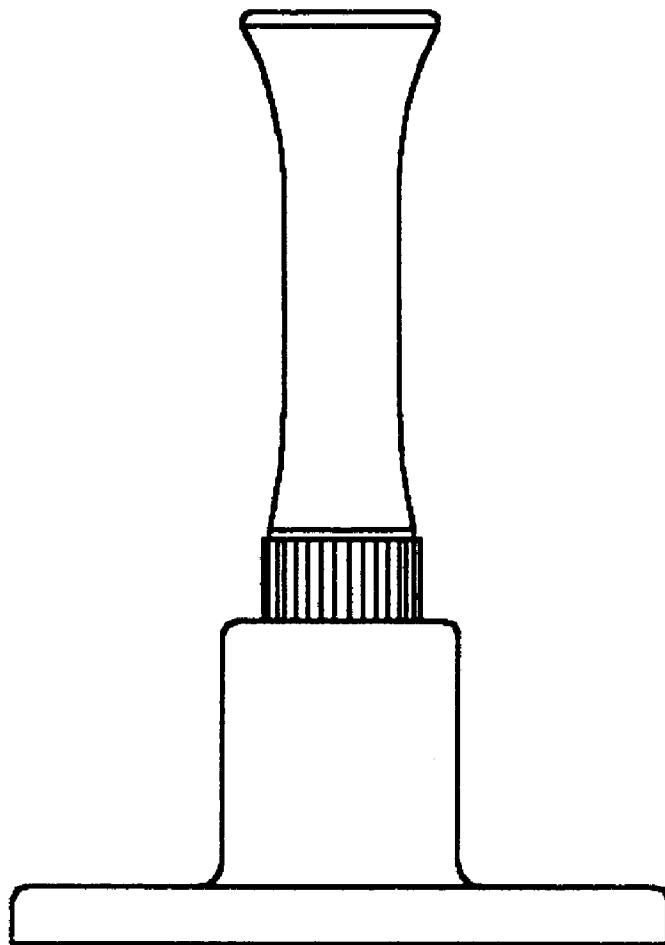


FIGURE 3

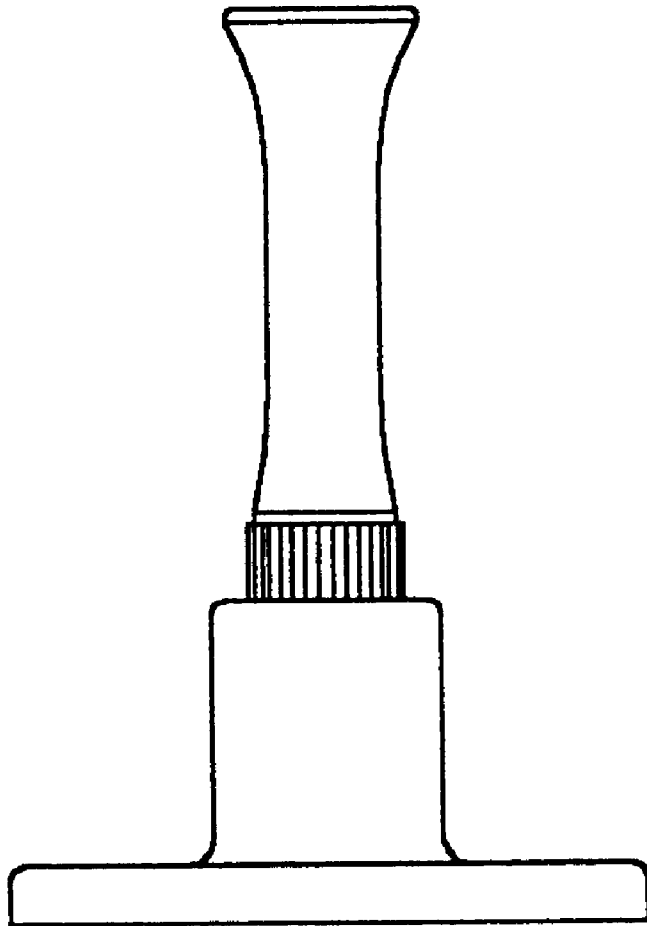


FIGURE 4

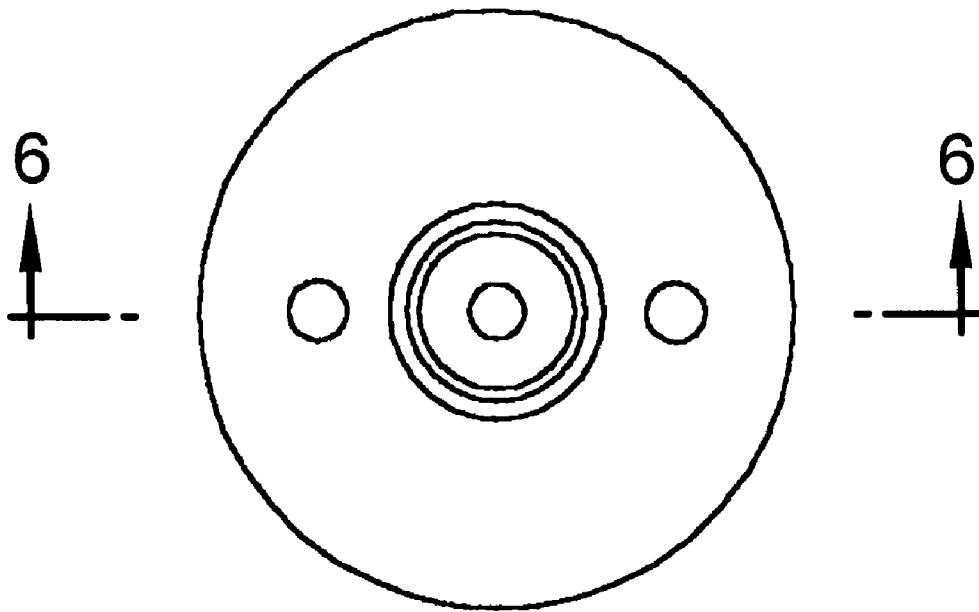


FIGURE 5

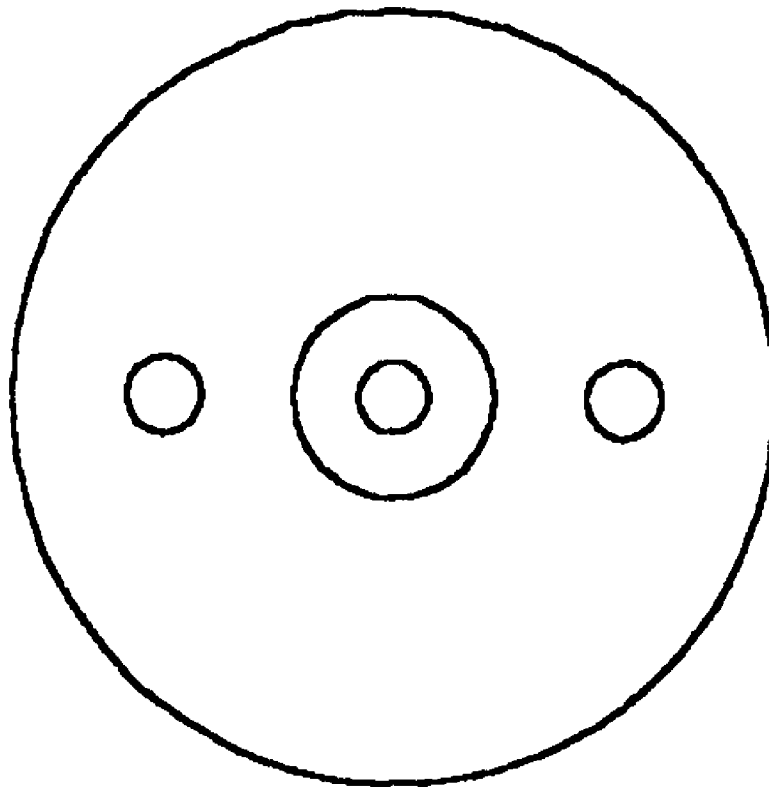


FIGURE 6

