

(19) World Intellectual Property Organization
International Bureau



(43) International Publication Date
3 February 2011 (03.02.2011)

(10) International Publication Number
WO 2011/013150 A3

(51) International Patent Classification:

E04F 10/02 (2006.01) E04F 10/06 (2006.01)
E06B 9/68 (2006.01)

(21) International Application Number:

PCT/IT2009/000346

(22) International Filing Date:

30 July 2009 (30.07.2009)

(25) Filing Language:

Italian

(26) Publication Language:

English

(71) Applicant (for all designated States except US): **COR-RADI S.P.A.** [IT/IT]; Via G. Brini, 39, I-40128 Bologna (IT).

(72) Inventor; and

(75) Inventor/Applicant (for US only): **GRAZIOSO, Luca** [IT/IT]; Via Taraschi, 13, I-64020 Teramo, Frazione Sant'Atto (IT).

(74) Agent: **ALAGEM MODIANO, Lara, S.**; Modiano & Partners, Via Meravigli, 16, I-20123 Milano (IT).

(81) Designated States (unless otherwise indicated, for every kind of national protection available): AE, AG, AL, AM, AO, AT, AU, AZ, BA, BB, BG, BH, BR, BW, BY, BZ, CA, CH, CL, CN, CO, CR, CU, CZ, DE, DK, DM, DO, DZ, EC, EE, EG, ES, FI, GB, GD, GE, GH, GM, GT, HN, HR, HU, ID, IL, IN, IS, JP, KE, KG, KM, KN, KP,

KR, KZ, LA, LC, LK, LR, LS, LT, LU, LY, MA, MD, ME, MG, MK, MN, MW, MX, MY, MZ, NA, NG, NI, NO, NZ, OM, PE, PG, PH, PL, PT, RO, RS, RU, SC, SD, SE, SG, SK, SL, SM, ST, SV, SY, TJ, TM, TN, TR, TT, TZ, UA, UG, US, UZ, VC, VN, ZA, ZM, ZW.

(84) Designated States (unless otherwise indicated, for every kind of regional protection available): ARIPO (BW, GH, GM, KE, LS, MW, MZ, NA, SD, SL, SZ, TZ, UG, ZM, ZW), Eurasian (AM, AZ, BY, KG, KZ, MD, RU, TJ, TM), European (AT, BE, BG, CH, CY, CZ, DE, DK, EE, ES, FI, FR, GB, GR, HR, HU, IE, IS, IT, LT, LU, LV, MC, MK, MT, NL, NO, PL, PT, RO, SE, SI, SK, SM, TR), OAPI (BF, BJ, CF, CG, CI, CM, GA, GN, GQ, GW, ML, MR, NE, SN, TD, TG).

Published:

- with international search report (Art. 21(3))
- before the expiration of the time limit for amending the claims and to be republished in the event of receipt of amendments (Rule 48.2(h))

(88) Date of publication of the international search report:

24 November 2011

(15) Information about Correction:

Previous Correction:

see Notice of 24 March 2011

(54) Title: MOVING ASSEMBLY FOR AWNINGS AND THE LIKE

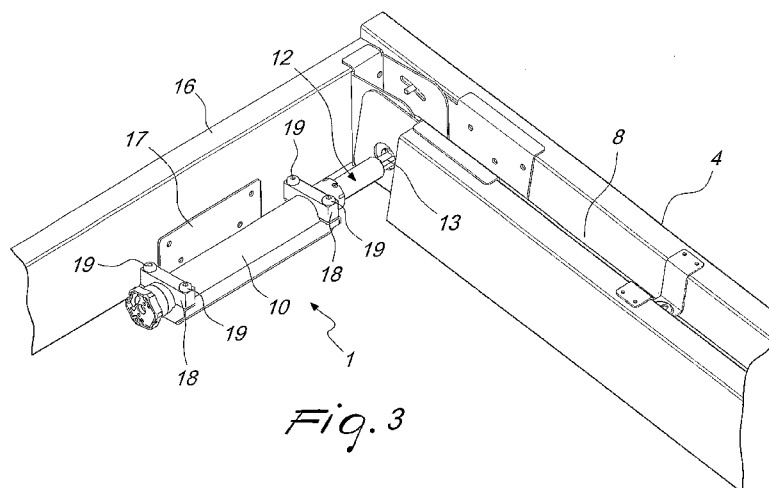


Fig. 3

(57) Abstract: A moving assembly (1) for awnings and the like, awnings of the type that can move on a structure (2) provided with posts (3) that are jointly connected to the walking surface and with supporting beams (4) one end (5) of which is associated with an upper portion (6) of the posts (3) and the other end (7) of which is associated with another fixed structural element. The awnings are movable from a folded configuration, proximate to a first end (7) of the supporting beams (4), to an extended one, in which they lie above the structure (2), by virtue of the action of movement members that can move within guides (8) that are jointly connected to the supporting beams (4). Each movement member is functionally associated with a respective sprocket (9), which is mated with a respective motor (10), the motors (10), each associated with the sprocket (9) of a respective guide (8), being powered individually and independently by means of a specific control and management unit designed to maintain synchronization of their rotations.



WO 2011/013150 A3

INTERNATIONAL SEARCH REPORT

International application No
PCT/IT2009/000346

A. CLASSIFICATION OF SUBJECT MATTER
 INV. E04F10/02 E06B9/68
 ADD. E04F10/06

According to International Patent Classification (IPC) or to both national classification and IPC

B. FIELDS SEARCHED

Minimum documentation searched (classification system followed by classification symbols)
 E04F E06B

Documentation searched other than minimum documentation to the extent that such documents are included in the fields searched

Electronic data base consulted during the international search (name of data base and, where practical, search terms used)
 EPO-Internal, INSPEC

C. DOCUMENTS CONSIDERED TO BE RELEVANT

Category*	Citation of document, with indication, where appropriate, of the relevant passages	Relevant to claim No.
X	DE 10 2006 026755 A1 (HOERMANN KG ANTRIEBSTECHNIK [DE]) 31 October 2007 (2007-10-31) paragraph [0045] -----	1-10

Further documents are listed in the continuation of Box C.
 See patent family annex.

* Special categories of cited documents :

<p>"A" document defining the general state of the art which is not considered to be of particular relevance</p> <p>"E" earlier document but published on or after the international filing date</p> <p>"L" document which may throw doubts on priority claim(s) or which is cited to establish the publication date of another citation or other special reason (as specified)</p> <p>"O" document referring to an oral disclosure, use, exhibition or other means</p> <p>"P" document published prior to the international filing date but later than the priority date claimed</p>	<p>"T" later document published after the international filing date or priority date and not in conflict with the application but cited to understand the principle or theory underlying the invention</p> <p>"X" document of particular relevance; the claimed invention cannot be considered novel or cannot be considered to involve an inventive step when the document is taken alone</p> <p>"Y" document of particular relevance; the claimed invention cannot be considered to involve an inventive step when the document is combined with one or more other such documents, such combination being obvious to a person skilled in the art.</p> <p>"&" document member of the same patent family</p>
--	--

Date of the actual completion of the international search	Date of mailing of the international search report
21 May 2010	30/09/2011

Name and mailing address of the ISA/ European Patent Office, P.B. 5818 Patentlaan 2 NL - 2280 HV Rijswijk Tel. (+31-70) 340-2040, Fax: (+31-70) 340-3016	Authorized officer Geivaerts, Dirk
--	---

INTERNATIONAL SEARCH REPORT

Information on patent family members

International application No

PCT/IT2009/000346

Patent document cited in search report	Publication date	Patent family member(s)	Publication date
DE 102006026755 A1	31-10-2007	NONE	