



- (51) International Patent Classification:
G01C 15/06 (2006.01)
- (21) International Application Number:
PCT/GB2011/001621
- (22) International Filing Date:
17 November 2011 (17.11.2011)
- (25) Filing Language: English
- (26) Publication Language: English
- (30) Priority Data:
1019791.1 23 November 2010 (23.11.2010) GB
1106387.2 14 April 2011 (14.04.2011) GB
- (72) Inventor; and
- (71) Applicant : OATEN, Malcolm Leslie [GB/GB]; 75 Station Road, Hepthorne Lane, North Wingfield, Near Chesterfield, Derbyshire S42 5HZ (GB).
- (74) Agent: JONES, Graham Henry; Graham Jones & Co, 77 Beaconsfield Road, Blackheath, London SE3 7LG (GB).

HR, HU, ID, IL, IN, IS, JP, KE, KG, KM, KN, KP, KR, KZ, LA, LC, LK, LR, LS, LT, LU, LY, MA, MD, ME, MG, MK, MN, MW, MX, MY, MZ, NA, NG, NI, NO, NZ, OM, PE, PG, PH, PL, PT, QA, RO, RS, RU, RW, SC, SD, SE, SG, SK, SL, SM, ST, SV, SY, TH, TJ, TM, TN, TR, TT, TZ, UA, UG, US, UZ, VC, VN, ZA, ZM, ZW.

(84) Designated States (unless otherwise indicated, for every kind of regional protection available): ARIPO (BW, GH, GM, KE, LR, LS, MW, MZ, NA, RW, SD, SL, SZ, TZ, UG, ZM, ZW), Eurasian (AM, AZ, BY, KG, KZ, MD, RU, TJ, TM), European (AL, AT, BE, BG, CH, CY, CZ, DE, DK, EE, ES, FI, FR, GB, GR, HR, HU, IE, IS, IT, LT, LU, LV, MC, MK, MT, NL, NO, PL, PT, RO, RS, SE, SI, SK, SM, TR), OAPI (BF, BJ, CF, CG, CI, CM, GA, GN, GQ, GW, ML, MR, NE, SN, TD, TG).

Declarations under Rule 4.17:

— of inventorship (Rule 4.17(iv))

Published:

- with international search report (Art. 21(3))
- before the expiration of the time limit for amending the claims and to be republished in the event of receipt of amendments (Rule 48.2(h))

(88) Date of publication of the international search report:
27 September 2012

(81) Designated States (unless otherwise indicated, for every kind of national protection available): AE, AG, AL, AM, AO, AT, AU, AZ, BA, BB, BG, BH, BR, BW, BY, BZ, CA, CH, CL, CN, CO, CR, CU, CZ, DE, DK, DM, DO, DZ, EC, EE, EG, ES, FI, GB, GD, GE, GH, GM, GT, HN,

(54) Title: APPARATUS FOR INDICATING LAND LEVELS AS REQUIRED IN BUILDING AND CIVIL ENGINEERING

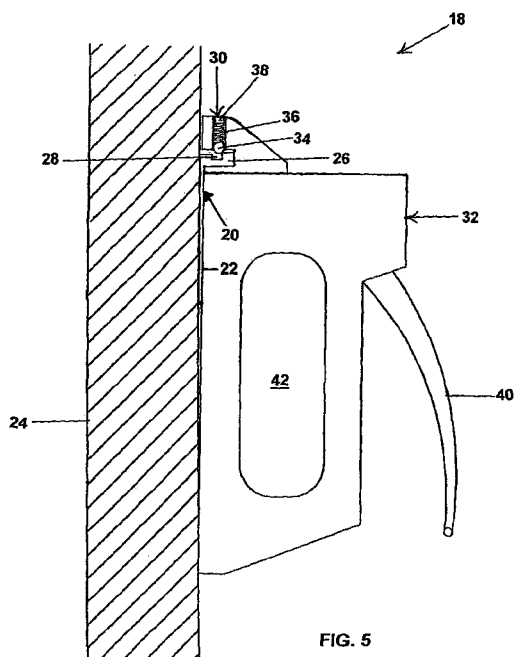


FIG. 5

(57) Abstract: Apparatus (18) for indicating land levels as required in building and civil engineering, which apparatus (18) comprises a batten (20) for indicating a level, and the batten (20) being characterised in that: (i) the batten (20) is a pre-formed batten (20); (ii) the batten (20) is made at least in part from a synthetic material; (iii) the batten (20) has a body portion (22) which extends vertically in use, and which is for securing to a post (24); (iv) the batten (20) has an edge portion (26) which extends outwardly from the body portion (22); and (v) the edge portion (26) has a groove (28) which extends longitudinally along the edge portion (26).



INTERNATIONAL SEARCH REPORT

International application No
PCT/GB2011/001621

A. CLASSIFICATION OF SUBJECT MATTER
INV. G01C15/06
ADD.

According to International Patent Classification (IPC) or to both national classification and IPC

B. FIELDS SEARCHED
Minimum documentation searched (classification system followed by classification symbols)
G01C F16M

Documentation searched other than minimum documentation to the extent that such documents are included in the fields searched

Electronic data base consulted during the international search (name of data base and, where practicable, search terms used)
EPO-Internal

C. DOCUMENTS CONSIDERED TO BE RELEVANT

Category*	Citation of document, with indication, where appropriate, of the relevant passages	Relevant to claim No.
X	DE 85 32 402 U1 (NEYER, WALTER, ING., BLUDENZ, AT) 6 February 1986 (1986-02-06)	2,4-13, 15-20,27
Y	pages 2,3,4,5; figures 1,2,7,8 pages 6,7,9	3,21,22
Y	----- DE 29 43 821 A1 (THOMAS DONALD GEOFFREY) 14 May 1980 (1980-05-14) page 9 - page 10	3,21,22
Y	----- US 2003/178537 A1 (ASHJAE JAVAD [US]) 25 September 2003 (2003-09-25) paragraphs [0007], [0024]	3,21,22

Further documents are listed in the continuation of Box C.

See patent family annex.

* Special categories of cited documents :

- "A" document defining the general state of the art which is not considered to be of particular relevance
- "E" earlier application or patent but published on or after the international filing date
- "L" document which may throw doubts on priority claim(s) or which is cited to establish the publication date of another citation or other special reason (as specified)
- "O" document referring to an oral disclosure, use, exhibition or other means
- "P" document published prior to the international filing date but later than the priority date claimed

- "T" later document published after the international filing date or priority date and not in conflict with the application but cited to understand the principle or theory underlying the invention
- "X" document of particular relevance; the claimed invention cannot be considered novel or cannot be considered to involve an inventive step when the document is taken alone
- "Y" document of particular relevance; the claimed invention cannot be considered to involve an inventive step when the document is combined with one or more other such documents, such combination being obvious to a person skilled in the art
- "&" document member of the same patent family

Date of the actual completion of the international search

6 February 2012

Date of mailing of the international search report

18/07/2012

Name and mailing address of the ISA/
European Patent Office, P.B. 5818 Patentlaan 2
NL - 2280 HV Rijswijk
Tel. (+31-70) 340-2040,
Fax: (+31-70) 340-3016

Authorized officer

de la Rosa Rivera, E

INTERNATIONAL SEARCH REPORT

Information on patent family members

International application No

PCT/GB2011/001621

Patent document cited in search report	Publication date	Patent family member(s)	Publication date	
DE 8532402	U1	06-02-1986	AT 381337 B DE 8532402 U1	25-09-1986 06-02-1986

DE 2943821	A1	14-05-1980	AU 5203279 A DE 2943821 A1 GB 2036314 A IT 1119894 B JP 55085212 A US 4271598 A	08-05-1980 14-05-1980 25-06-1980 10-03-1986 27-06-1980 09-06-1981

US 2003178537	A1	25-09-2003	AU 2003224741 A1 US 2003178537 A1 WO 03081122 A1	08-10-2003 25-09-2003 02-10-2003

INTERNATIONAL SEARCH REPORT

International application No.
PCT/GB2011/001621

Box No. II Observations where certain claims were found unsearchable (Continuation of item 2 of first sheet)

This international search report has not been established in respect of certain claims under Article 17(2)(a) for the following reasons:

1. Claims Nos.:
because they relate to subject matter not required to be searched by this Authority, namely:

2. Claims Nos.: 32
because they relate to parts of the international application that do not comply with the prescribed requirements to such an extent that no meaningful international search can be carried out, specifically:
see FURTHER INFORMATION sheet PCT/ISA/210

3. Claims Nos.:
because they are dependent claims and are not drafted in accordance with the second and third sentences of Rule 6.4(a).

Box No. III Observations where unity of invention is lacking (Continuation of item 3 of first sheet)

This International Searching Authority found multiple inventions in this international application, as follows:

see additional sheet

1. As all required additional search fees were timely paid by the applicant, this international search report covers all searchable claims.

2. As all searchable claims could be searched without effort justifying an additional fees, this Authority did not invite payment of additional fees.

3. As only some of the required additional search fees were timely paid by the applicant, this international search report covers only those claims for which fees were paid, specifically claims Nos.:

4. No required additional search fees were timely paid by the applicant. Consequently, this international search report is restricted to the invention first mentioned in the claims; it is covered by claims Nos.:
1-13, 15-22, 27, 32

Remark on Protest

- The additional search fees were accompanied by the applicant's protest and, where applicable, the payment of a protest fee.
- The additional search fees were accompanied by the applicant's protest but the applicable protest fee was not paid within the time limit specified in the invitation.
- No protest accompanied the payment of additional search fees.

FURTHER INFORMATION CONTINUED FROM PCT/ISA/ 210

This International Searching Authority found multiple (groups of) inventions in this international application, as follows:

1. claims: 1-13, 15-22, 27, 32

Extruded batten

2. claim: 14

Groove with gripper arrangement

3. claims: 23-26

A base for a post for an apparatus that indicates level

4. claims: 28-31

Powered securing means for securing a batten to a post

FURTHER INFORMATION CONTINUED FROM PCT/ISA/ 210

Continuation of Box II.2

Claims Nos.: 32

Claim 32 does not comply with Rule 6.2 (a) PCT. Its subject-matter is so vague and unclear that no meaningful search is possible.

The applicant's attention is drawn to the fact that claims relating to inventions in respect of which no international search report has been established need not be the subject of an international preliminary examination (Rule 66.1(e) PCT). The applicant is advised that the EPO policy when acting as an International Preliminary Examining Authority is normally not to carry out a preliminary examination on matter which has not been searched. This is the case irrespective of whether or not the claims are amended following receipt of the search report or during any Chapter II procedure. If the application proceeds into the regional phase before the EPO, the applicant is reminded that a search may be carried out during examination before the EPO (see EPO Guideline C-VI, 8.2), should the problems which led to the Article 17(2) declaration be overcome.