

(19) World Intellectual Property Organization  
International Bureau



(43) International Publication Date  
14 June 2007 (14.06.2007)

PCT

(10) International Publication Number  
**WO 2007/067879 A3**

(51) International Patent Classification:  
**G06K 7/10** (2006.01)

(21) International Application Number:  
PCT/US2006/061559

(22) International Filing Date:  
4 December 2006 (04.12.2006)

(25) Filing Language: English

(26) Publication Language: English

(30) Priority Data:  
11/294,646 5 December 2005 (05.12.2005) US

(71) Applicants (for all designated States except US): **OPTO-ELECTRONICS CO., LTD.** [JP/JP]; 5-3, Tsukagoshi 5-chome, Warabi, Saitama Pref., 335-0002 (JP). **OPTICON, INC.** [US/US]; 8 Olympic Drive, Orangeburg, NY 10962 (US).

(72) Inventor; and

(75) Inventor/Applicant (for US only): **HAYAKAWA, Hiroshi** [JP/JP]; 42-2 Fukasaku Minuma-ku, Saitamai-shi, Saitama (JP).

(74) Agent: **LERCH, Joseph, B.**; KAPLAN GILMAN GIBSON & DERNIER LLP, 900 Route 9 North, Woodbridge, NJ 07095 (US).

(81) Designated States (unless otherwise indicated, for every kind of national protection available): AE, AG, AL, AM, AT, AU, AZ, BA, BB, BG, BR, BW, BY, BZ, CA, CH, CN, CO, CR, CU, CZ, DE, DK, DM, DZ, EC, EE, EG, ES, FI, GB, GD, GE, GH, GM, GT, HN, HR, HU, ID, IL, IN, IS, JP, KE, KG, KM, KN, KP, KR, KZ, LA, LC, LK, LR, LS, LT, LU, LV, LY, MA, MD, MG, MK, MN, MW, MX, MY, MZ, NA, NG, NI, NO, NZ, OM, PG, PH, PL, PT, RO, RS, RU, SC, SD, SE, SG, SK, SL, SM, SV, SY, TJ, TM, TN, TR, TT, TZ, UA, UG, US, UZ, VC, VN, ZA, ZM, ZW.

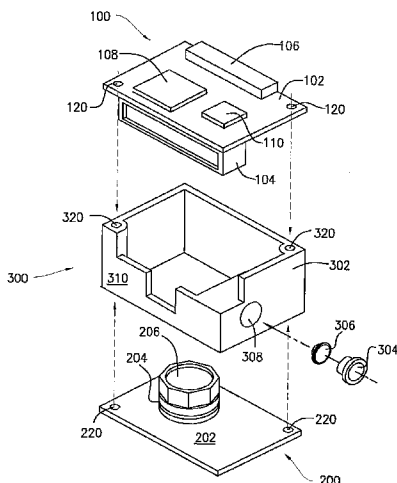
(84) Designated States (unless otherwise indicated, for every kind of regional protection available): ARIPO (BW, GH, GM, KE, LS, MW, MZ, NA, SD, SL, SZ, TZ, UG, ZM, ZW), Eurasian (AM, AZ, BY, KG, KZ, MD, RU, TJ, TM), European (AT, BE, BG, CH, CY, CZ, DE, DK, EE, ES, FI, FR, GB, GR, HU, IE, IS, IT, LT, LU, LV, MC, NL, PL, PT, RO, SE, SI, SK, TR), OAPI (BF, BJ, CF, CG, CI, CM, GA, GN, GQ, GW, ML, MR, NE, SN, TD, TG).

**Published:**

- with international search report
- before the expiration of the time limit for amending the claims and to be republished in the event of receipt of amendments

(88) Date of publication of the international search report:  
7 February 2008

(54) Title: SCANNER WITH MODULE PARTS



(57) Abstract: A modular barcode scanner for identifying various types of barcodes or the like is provided. The scanner has a housing that has a light source mounted therein and a plurality of walls with one wall at least partially disposed to allow a light path originating from the light source to pass out of the housing to reach the bar codes. The scanner further has a top module mounted on the top of the housing comprising a flat member having light receiving and processing optics as well as subsequent electronic processing devices mounted thereon; and a bottom module mounted on the bottom of the housing having an inner surface with a rotating mirror mounted thereon for directing the light path.



WO 2007/067879 A3

# INTERNATIONAL SEARCH REPORT

International application No.

PCT/US06/61559

**A. CLASSIFICATION OF SUBJECT MATTER**

IPC(8) - G02B 26/00 (2007.01)

USPC - 235/462.4

According to International Patent Classification (IPC) or to both national classification and IPC

**B. FIELDS SEARCHED**

Minimum documentation searched (classification system followed by classification symbols)

IPC(8) - G02B 26/00 (2007.01)

USPC - 235/462.4

Documentation searched other than minimum documentation to the extent that such documents are included in the fields searched

Electronic data base consulted during the international search (name of data base and, where practicable, search terms used)

MicroPatent

**C. DOCUMENTS CONSIDERED TO BE RELEVANT**

Category*	Citation of document, with indication, where appropriate, of the relevant passages	Relevant to claim No.
Y	US 2003/0141367 A1 (LUCERA et al) 31 July 2003 (31.07.2003) entire document	1-14
Y	US 6,634,556 B2 (COURTNEY et al) 21 October 2003 (21.10.2003) entire document	1-14
A	US 2003/0132918 A1 (FITCH et al) 17 July 2003 (17.07.2003) entire document	1-14
A	US 2001/0017690 A1 (VERNACKT et al) 30 August 2001 (30.08.2001) entire document	1-14

Further documents are listed in the continuation of Box C.

\* Special categories of cited documents:

"A" document defining the general state of the art which is not considered to be of particular relevance

"E" earlier application or patent but published on or after the international filing date

"L" document which may throw doubts on priority claim(s) or which is cited to establish the publication date of another citation or other special reason (as specified)

"O" document referring to an oral disclosure, use, exhibition or other means

"P" document published prior to the international filing date but later than the priority date claimed

"T" later document published after the international filing date or priority date and not in conflict with the application but cited to understand the principle or theory underlying the invention

"X" document of particular relevance; the claimed invention cannot be considered novel or cannot be considered to involve an inventive step when the document is taken alone

"Y" document of particular relevance; the claimed invention cannot be considered to involve an inventive step when the document is combined with one or more other such documents, such combination being obvious to a person skilled in the art

"&" document member of the same patent family

Date of the actual completion of the international search

17 September 2007

Date of mailing of the international search report

03 DEC 2007

Name and mailing address of the ISA/US

Mail Stop PCT, Attn: ISA/US, Commissioner for Patents  
P.O. Box 1450, Alexandria, Virginia 22313-1450  
Facsimile No. 571-273-3201

Authorized officer:

Blaine R. Copenheaver

PCT Helpdesk: 571-272-4300  
PCT OSP: 571-272-7774