



(51) International Patent Classification:
E01H 1/12 (2006.01)

(21) International Application Number:

PCT/GR2018/000006

(22) International Filing Date:

16 February 2018 (16.02.2018)

(25) Filing Language:

English

(26) Publication Language:

English

(30) Priority Data:

20170100095 07 March 2017 (07.03.2017) GR

(72) Inventor; and

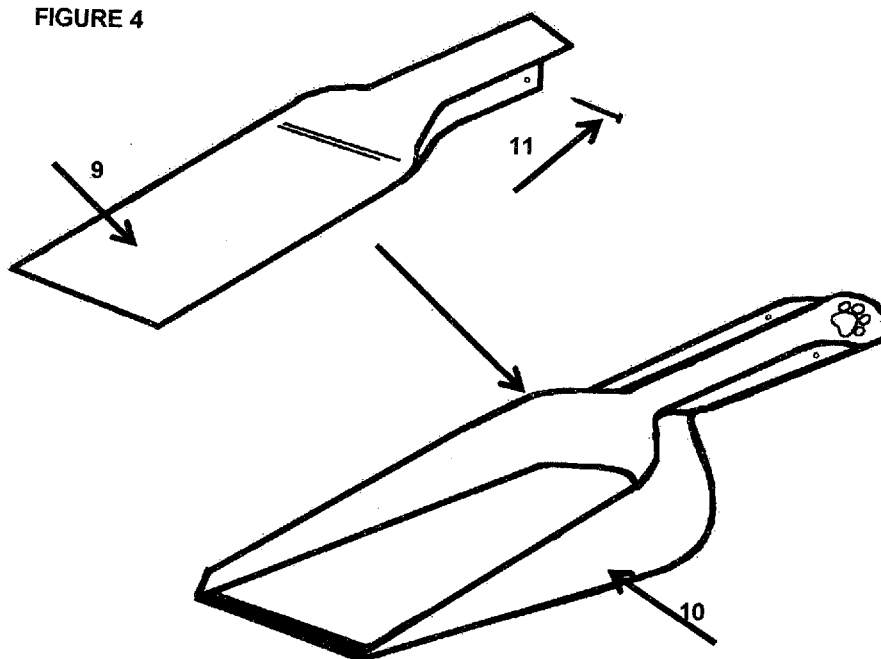
(71) Applicant: **ARKOUDI, Maria** [GR/GR]; 13A Kidonion
Str, 14671 Nea Erithrea Attikis (GR).

(81) Designated States (unless otherwise indicated, for every kind of national protection available): AE, AG, AL, AM, AO, AT, AU, AZ, BA, BB, BG, BH, BN, BR, BW, BY, BZ, CA, CH, CL, CN, CO, CR, CU, CZ, DE, DJ, DK, DM, DO, DZ, EC, EE, EG, ES, FI, GB, GD, GE, GH, GM, GT, HN, HR, HU, ID, IL, IN, IR, IS, JO, JP, KE, KG, KH, KN, KP, KR, KW, KZ, LA, LC, LK, LR, LS, LU, LY, MA, MD, ME, MG, MK, MN, MW, MX, MY, MZ, NA, NG, NI, NO, NZ, OM, PA, PE, PG, PH, PL, PT, QA, RO, RS, RU, RW, SA, SC, SD, SE, SG, SK, SL, SM, ST, SV, SY, TH, TJ, TM, TN, TR, TT, TZ, UA, UG, US, UZ, VC, VN, ZA, ZM, ZW.

(84) Designated States (unless otherwise indicated, for every kind of regional protection available): ARIPO (BW, GH, GM, KE, LR, LS, MW, MZ, NA, RW, SD, SL, ST, SZ, TZ, UG, ZM, ZW), Eurasian (AM, AZ, BY, KG, KZ, RU, TJ, TM), European (AL, AT, BE, BG, CH, CY, CZ, DE, DK, EE, ES, FI, FR, GB, GR, HR, HU, IE, IS, IT, LT, LU, LV,

(54) Title: DISPOSABLE SYSTEM OF DOG AND PET EXCREMENT COLLECTION

FIGURE 4



(57) Abstract: The disposable system of dog and domestic pet excrement collection is an invention for an easy way to pick up dog and all pet excrements. The invention consists of a shovel with a single handle and a hole at its top (1), a detachable and foldable cover (lid) (2), a pin (3) connecting the two parts and a plastic hanger (4) for easy transport, which can be made of reinforced paper or plastic or aluminum or polystyrene biodegradable for environmental protection. It can be impregnated with an artificial scent or can be odorless, have a variety of colors and designs for a gentle and enjoyable use by the user. The advantages of this invention are that the user gathers intact and harmless the excrements of the dog and all domestic animals, making easy this inconvenient move. It provides environmental protection from microbes, contributing to public hygiene and keeping public places clean. It is biodegradable without polluting the environment. It has a detachable and foldable cover (lid) making it easy to produce its packaging.

MC, MK, MT, NL, NO, PL, PT, RO, RS, SE, SI, SK, SM,
TR), OAPI (BF, BJ, CF, CG, CI, CM, GA, GN, GQ, GW,
KM, ML, MR, NE, SN, TD, TG).

Published:

— *with international search report (Art. 21(3))*

DISPOSABLE SYSTEM OF DOG AND PET EXCREMENT COLLECTION

5 The disposable system of dog and pet excrement collection is an invention which consists of a small shovel with a hole at the top of the handle to pass a plastic cuff that hangs on the dog strap for easy transport. It has a cover (lid) which is applied to the shovel with a simple insertion and is foldable and removable. The cover (lid) has two walls with holes, left and right, which will enter in the two corresponding walls with holes of the shovel. The two parts
10 are connected with a pin inserted into the holes of the two parts so that it closes the lid with the finger pressure, but the system can be totally work without the use of the pin, as well. The suggested dimensions are 15x22 cm without any size limitation, that is, with the possibility of increasing or decreasing the size.

15

This easy system is designed to facilitate the collection of dog impurities/excrements and all other domestic animals/pets by its owners.

20 The material for its manufacture may be comprised of reinforced paper or plastic or polyethylene or aluminum, biodegradable

Advantages of the invention are the intact way of collecting dogs and other domestic animals/pets excrements, preventing the transmission of microbes and diseases and avoiding the disgusting spectacle on streets and parks,
25 without the invention polluting the environment since it can also be biodegradable.

The invention is characterized as disposable, that it is easily transported to the dog's ride with the hook hanging on the dog strap and it can be folded to
30 make the transport of the invention easier by the consumption, for example to put it in the pocket.

It may have an artificial flavor of fruit or flower or it is odorless.

It can be in a variety of colors and drawings / sketches to be enjoyable both in appearance and in odor from the user.

5 It can be manufactured without the cover (lid), only the shovel for lower production costs or even without the pin and can only be operated by simply inserting the cover (lid).

10 Figure 1, refers to the entire invention, i.e. the shovel with the cover (lid), the pin (1) and the hook (2) for easy transport.

This invention consists of the two main parts, the pin and the hook (Figure 1), the shovel which is the main part (Figure 2), the cover (lid) (Fig.3), the insertion of the cover (lid) in the shovel (Figure 4) and the open-topped cover (lid) (Figure 5), which are described in the claims.

15 Figure 2, refers to the shovel and the two walls of the cover with the holes, left (3) and right (4) and the hole (5) on the handle (6).

20 Figure 3, refers to the cover (lid) and the two walls with holes, left (7) and right (8), inserted into the handle of the shovel.

Figure 4, refers to the insertion of the cover(lid) (9) into the shovel (10) and the joining of the two parts with the pin (11) to give the final result shown in Figure 1.

25 Figure 5, refers to the cover (lid) opening by pressing the top of the cover (lid) handle (12).

CLAIMS

The disposable system of dog and pet excrement collection consists of a shovel with a hole on its top (1), a cover (lid) which is foldable and removable(2), a pin (3) , Figure 1 (1) joining the two parts and the plastic hook (4) Figure 1 (2). The invention may be of reinforced paper or plastic or disposable polyethylene or polystyrene or aluminum.

The disposable system of dog and pet excrement collection according to claim 1, consists of the shovel with a hole Figure 2 (5) at the top of its handle (6), and two walls (recesses) with holes left (3) and right (4) which they will receive the cover (lid).

The disposable system of dog and pet excrement collection according to claims 1 and 2, is constituted by a cover (lid), Figure 3, which has walls with holes on the left Figure 3 (7) and right Figure 3 (8) so as the cover (lid), Figure 4 (9)to be inserted into the handle of the shovel Figure 4 (10) and join the two parts with a pin (11). with a simple pressure by the finger the cover (lid) will be lifted to collect the excrements, Figure 5 (12)

The disposable system of dog and pet excrement collection according to claims 1, 2 and 3 has a hook, Figure 1 (2) which enters in the hole, Figure 2 (5) of the handle Figure 2(6), and which will be hung on the dog's strap for easy transport.

The disposable system of dog and pet excrement collection according to claims 1, 2, 3 and 4 may have the characteristic of being of biodegradable materials to not pollute the environment.

The disposable system of dog and pet excrement collection according to claims 1, 2, 3, 4 and 5 may be characterized by a variety of artificial flavors or be odorless and of various colors, designs and sketches in order to be beautifully and pleasant by the dog owner and all other owners of domestic animals/pets.

The disposable system of dog and pet excrement collection according to claims 1, 2, 3, 4, 5 and 6 may preferably be manufactured in the dimensions 15x22 cm, without limitatizing size.

- 5 The disposable system of dog and domestic pet excrement collection according to claims 1, 2, 3, 4, 5, 6 and 7 can also be manufactured without the cover (lid) for lower production costs, maintaining the color and odor characteristics.

1/2

FIGURE 1

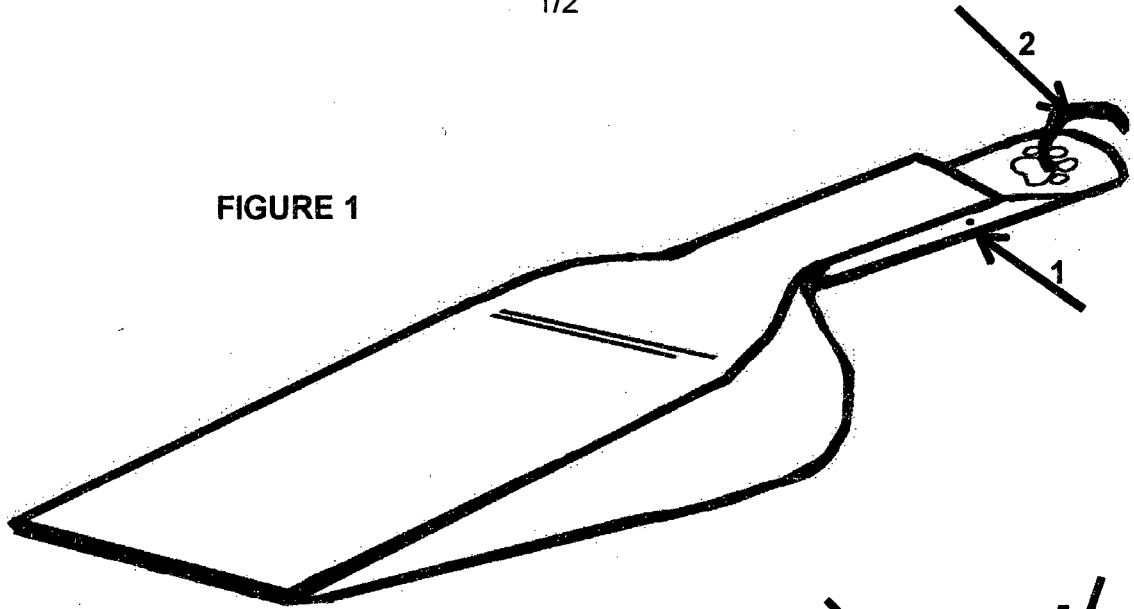


FIGURE 2

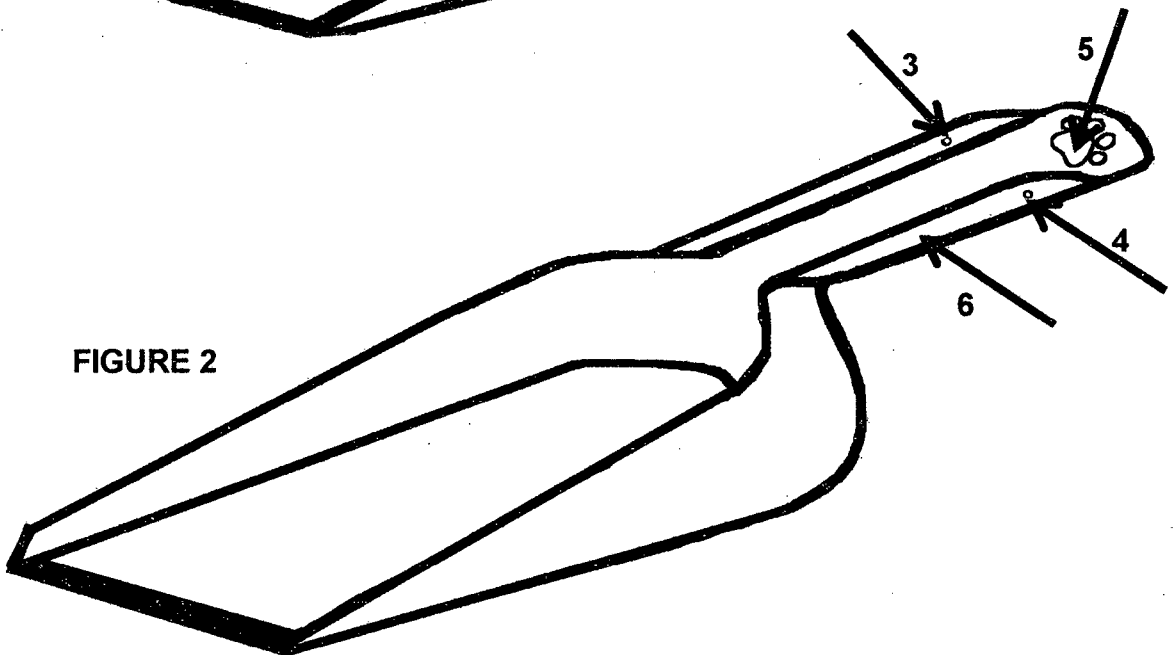


FIGURE 3

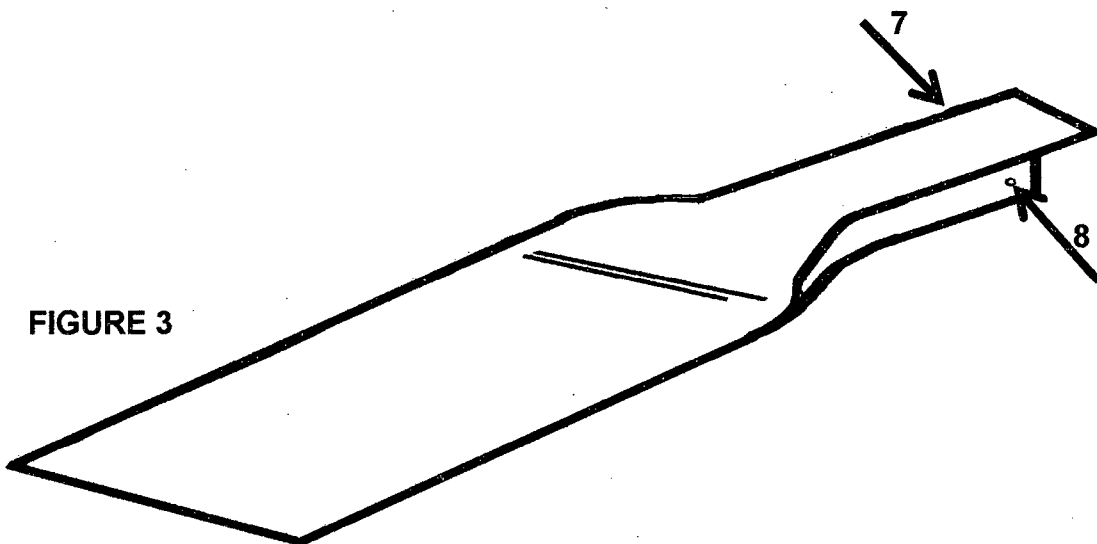


FIGURE 4

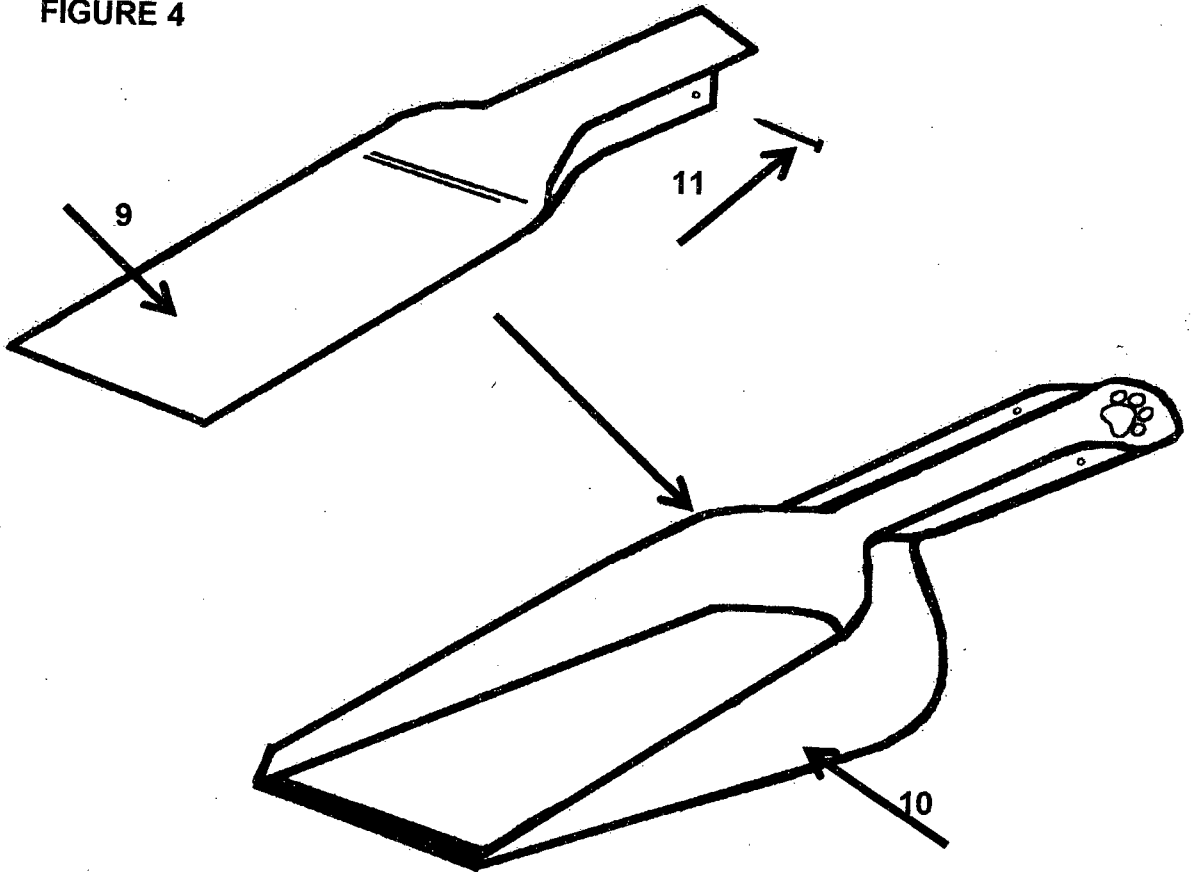
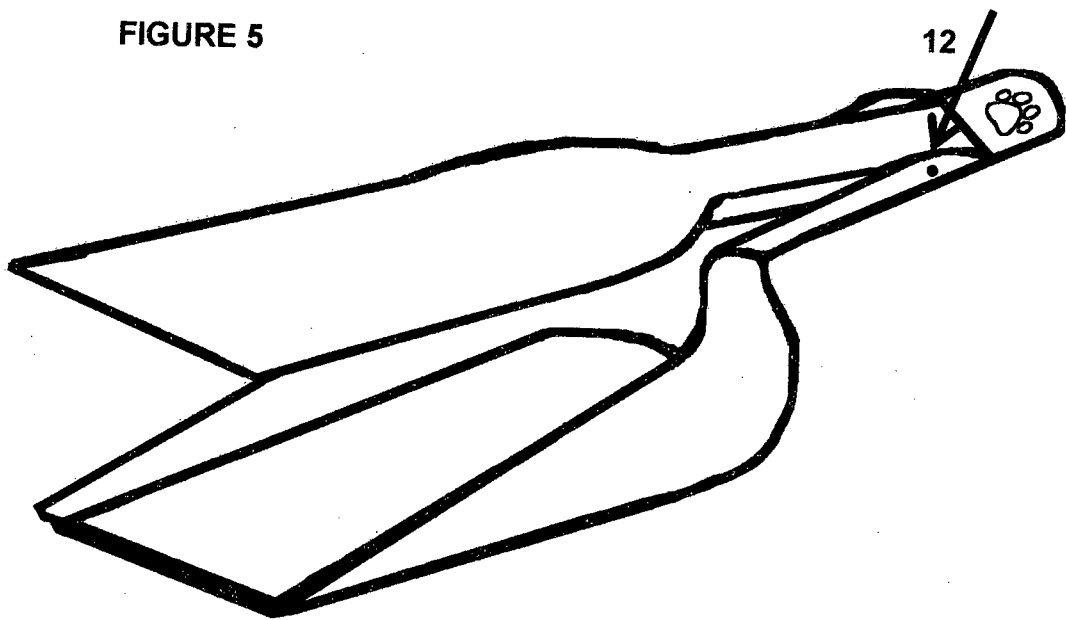


FIGURE 5



INTERNATIONAL SEARCH REPORT

International application No
PCT/GR2018/000006

A. CLASSIFICATION OF SUBJECT MATTER
INV. E01H1/12
ADD.

According to International Patent Classification (IPC) or to both national classification and IPC

B. FIELDS SEARCHED

Minimum documentation searched (classification system followed by classification symbols)
E01H

Documentation searched other than minimum documentation to the extent that such documents are included in the fields searched

Electronic data base consulted during the international search (name of data base and, where practicable, search terms used)
EPO-Internal

Category*	Citation of document, with indication, where appropriate, of the relevant passages	Relevant to claim No.
X	EP 0 645 494 A1 (KESS [DE]) 29 March 1995 (1995-03-29) figures 1,2,3	1,2,4-8
A	----- US 2004/084914 A1 (KARIMI JAMSHID [US] ET AL) 6 May 2004 (2004-05-06) figures 1,2	3
X	----- EP 1 325 985 A1 (RIVERA GARCIA MARIO [ES]) 9 July 2003 (2003-07-09) figures 1,2	1,4-8
A	----- US 3 703 158 A (LEMLER SEYMOUR A) 21 November 1972 (1972-11-21) figure 1	1-8
A	-----	1-8

Further documents are listed in the continuation of Box C.

See patent family annex.

* Special categories of cited documents :

- "A" document defining the general state of the art which is not considered to be of particular relevance
- "E" earlier application or patent but published on or after the international filing date
- "L" document which may throw doubts on priority claim(s) or which is cited to establish the publication date of another citation or other special reason (as specified)
- "O" document referring to an oral disclosure, use, exhibition or other means
- "P" document published prior to the international filing date but later than the priority date claimed

- "T" later document published after the international filing date or priority date and not in conflict with the application but cited to understand the principle or theory underlying the invention
- "X" document of particular relevance; the claimed invention cannot be considered novel or cannot be considered to involve an inventive step when the document is taken alone
- "Y" document of particular relevance; the claimed invention cannot be considered to involve an inventive step when the document is combined with one or more other such documents, such combination being obvious to a person skilled in the art
- "&" document member of the same patent family

Date of the actual completion of the international search 13 June 2018	Date of mailing of the international search report 22/06/2018
---	--

Name and mailing address of the ISA/ European Patent Office, P.B. 5818 Patentlaan 2 NL - 2280 HV Rijswijk Tel. (+31-70) 340-2040, Fax: (+31-70) 340-3016	Authorized officer Saretta, Guido
--	--

INTERNATIONAL SEARCH REPORT

Information on patent family members

International application No

PCT/GR2018/000006

Patent document cited in search report	Publication date	Patent family member(s)	Publication date
EP 0645494	A1	29-03-1995	DE 9314447 U1 24-03-1994
			EP 0645494 A1 29-03-1995

US 2004084914	A1	06-05-2004	US 2004084914 A1 06-05-2004
			US 2005194799 A1 08-09-2005
			WO 2005010281 A1 03-02-2005

EP 1325985	A1	09-07-2003	AT 310854 T 15-12-2005
			DE 60115270 D1 29-12-2005
			DE 60115270 T2 24-08-2006
			DK 1325985 T3 03-04-2006
			EP 1325985 A1 09-07-2003
			ES 1047078 U 16-02-2001
			ES 2254474 T3 16-06-2006
			US 2004051322 A1 18-03-2004
			WO 0222963 A1 21-03-2002

US 3703158	A	21-11-1972	NONE
