



US012018508B2

(12) **United States Patent**
Bella

(10) **Patent No.:** **US 12,018,508 B2**
(45) **Date of Patent:** ***Jun. 25, 2024**

(54) **LIFEGUARD POSITIONING SYSTEM AND METHOD**

(71) Applicant: **Robson Forensic, Inc.**, Lancaster, PA (US)

(72) Inventor: **Maria Bella**, Reading, PA (US)

(73) Assignee: **Robson Forensic, Inc.**, Lancaster, PA (US)

(*) Notice: Subject to any disclaimer, the term of this patent is extended or adjusted under 35 U.S.C. 154(b) by 10 days.

This patent is subject to a terminal disclaimer.

(21) Appl. No.: **18/045,483**

(22) Filed: **Oct. 11, 2022**

(65) **Prior Publication Data**

US 2023/0058498 A1 Feb. 23, 2023

Related U.S. Application Data

(63) Continuation of application No. 16/354,679, filed on Mar. 15, 2019, now Pat. No. 11,499,330, which is a continuation of application No. 15/094,098, filed on Apr. 8, 2016, now Pat. No. 10,329,785.

(51) **Int. Cl.**

- E04H 4/14** (2006.01)
- G01B 11/00** (2006.01)
- G01B 11/06** (2006.01)
- G06T 7/70** (2017.01)
- G06T 7/73** (2017.01)
- H04N 23/50** (2023.01)
- H04N 23/90** (2023.01)

(52) **U.S. Cl.**

CPC **E04H 4/14** (2013.01); **G01B 11/002** (2013.01); **G01B 11/0608** (2013.01); **G06T 7/70** (2017.01); **G06T 7/73** (2017.01); **H04N 23/50** (2023.01); **H04N 23/90** (2023.01); **G06T 2207/10004** (2013.01); **G06T 2207/10024** (2013.01); **G06T 2207/30208** (2013.01); **G06T 2207/30232** (2013.01)

(58) **Field of Classification Search**

CPC G01V 8/10; G06K 9/00771; G06T 2207/10012; G06T 2207/30196; G06T 7/0002; G08B 21/082

See application file for complete search history.

(56) **References Cited**

U.S. PATENT DOCUMENTS

- 3,271,897 A 9/1966 Gelinas
- 3,947,833 A 3/1976 Eckstein, Jr.
- 4,146,897 A 3/1979 Wilson et al.
- 5,043,705 A 8/1991 Rooz et al.

(Continued)

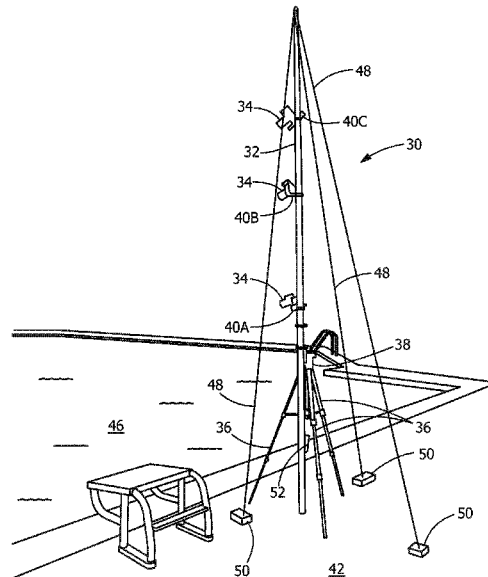
Primary Examiner — Tom Y Lu

(74) *Attorney, Agent, or Firm* — Potomac Law Group, PLLC

(57) **ABSTRACT**

A method of training a lifeguard to properly view an area of a swimming pool or body of water and recognize a swimmer/bather in distress. The method includes: positioning submersible devices or other objects on a bottom of the swimming pool or body of water according to an established grid or pattern; observing the submersible devices to make observations; analyzing the observations to evaluate the ability to see the submersible devices under varying environmental and density conditions. The observation trains the lifeguard to recognize the swimmer/bather in distress in the swimming pool or body of water to minimize the risk of the swimmer/bather drowning.

20 Claims, 5 Drawing Sheets



(56)

References Cited

U.S. PATENT DOCUMENTS

6,127,930	A	10/2000	Steffanus	
6,133,838	A	10/2000	Meniere	
6,205,242	B1	3/2001	Onoguchi	
6,761,248	B1	7/2004	Harbison	
7,123,746	B2	10/2006	Meniere et al.	
7,479,891	B2	1/2009	Boujon	
7,583,196	B2	9/2009	Cohignac et al.	
7,601,003	B2*	10/2009	Quest	G09B 23/32 434/254
7,671,248	B2	3/2010	Dandekar et al.	
7,839,291	B1	11/2010	Richards	
9,157,250	B2	10/2015	Alammari	
9,388,595	B2	7/2016	Durvasula et al.	
9,727,979	B1	8/2017	Bella	
11,499,330	B2*	11/2022	Bella	G01B 11/002
2004/0036766	A1	2/2004	Meniere et al.	
2004/0062441	A1	4/2004	Meniere et al.	

* cited by examiner

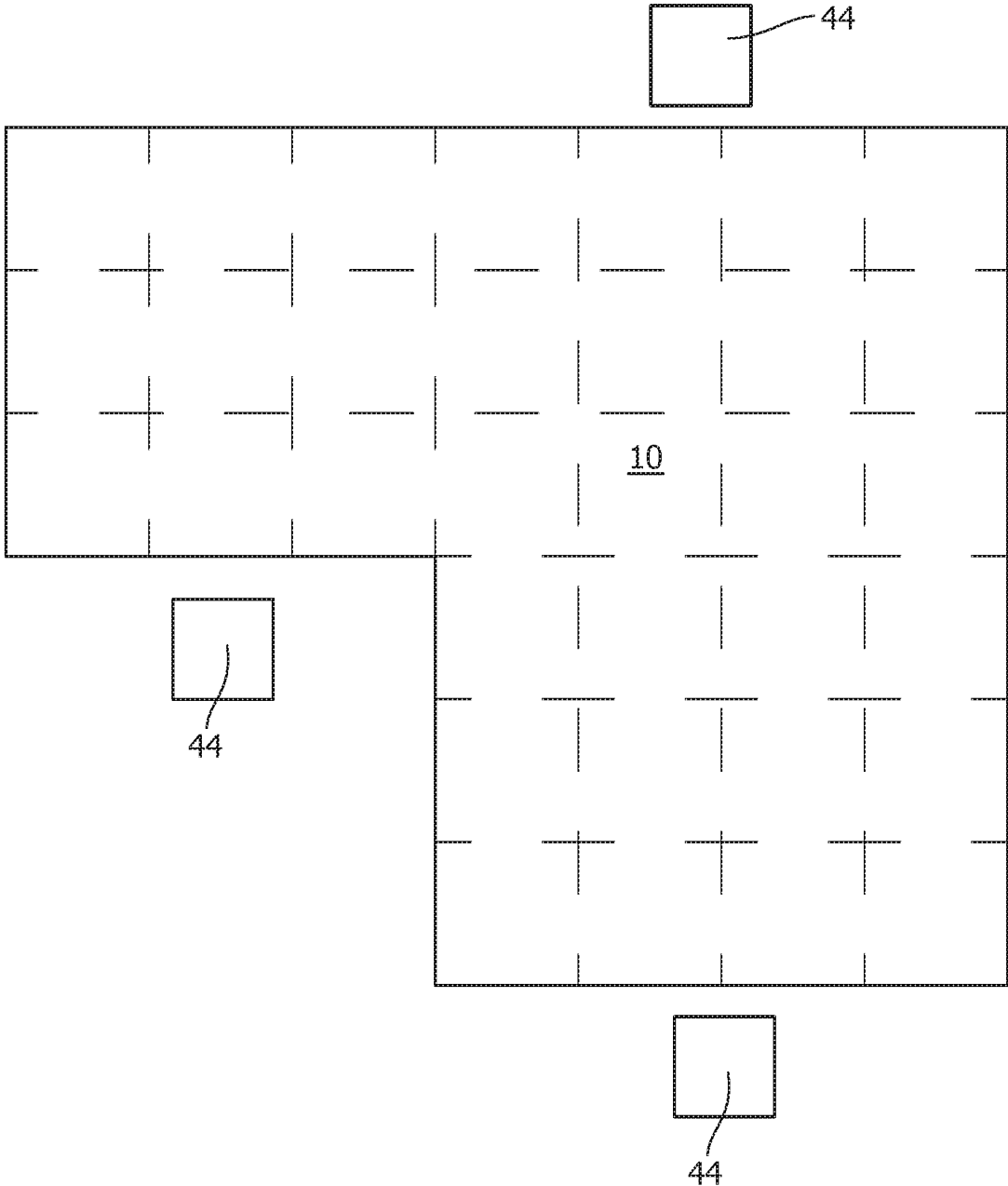


FIG. 1

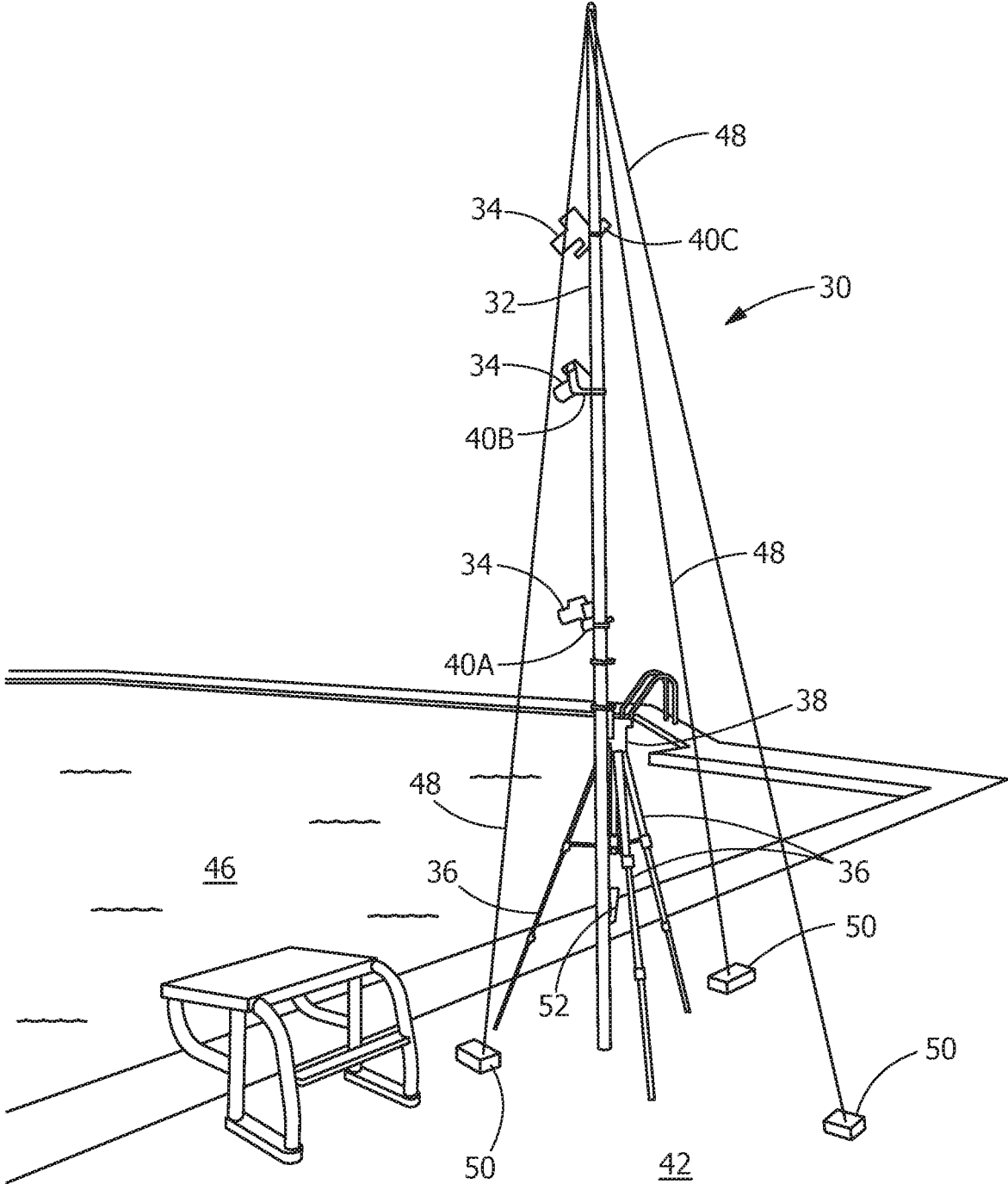


FIG. 2

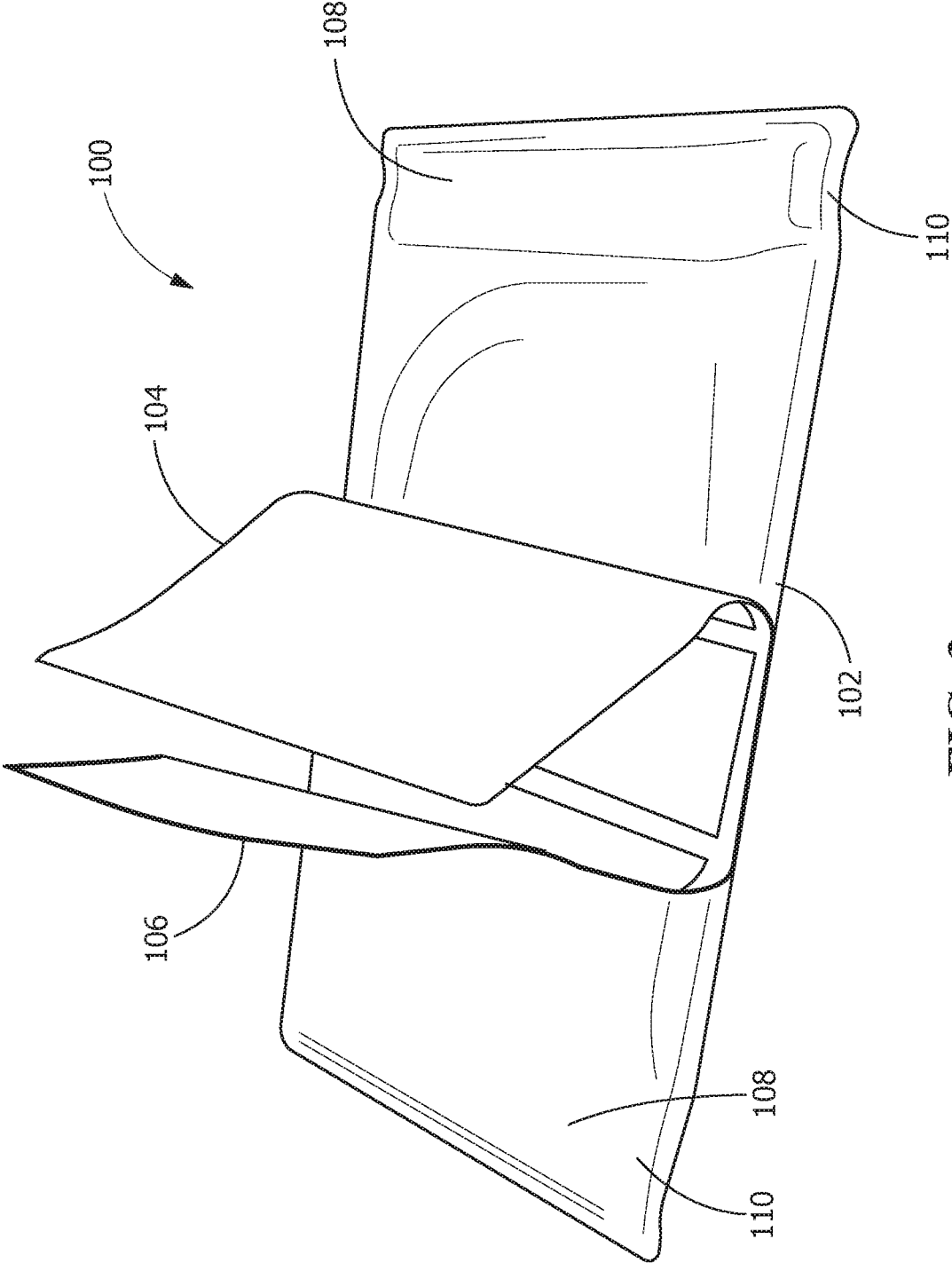


FIG. 3

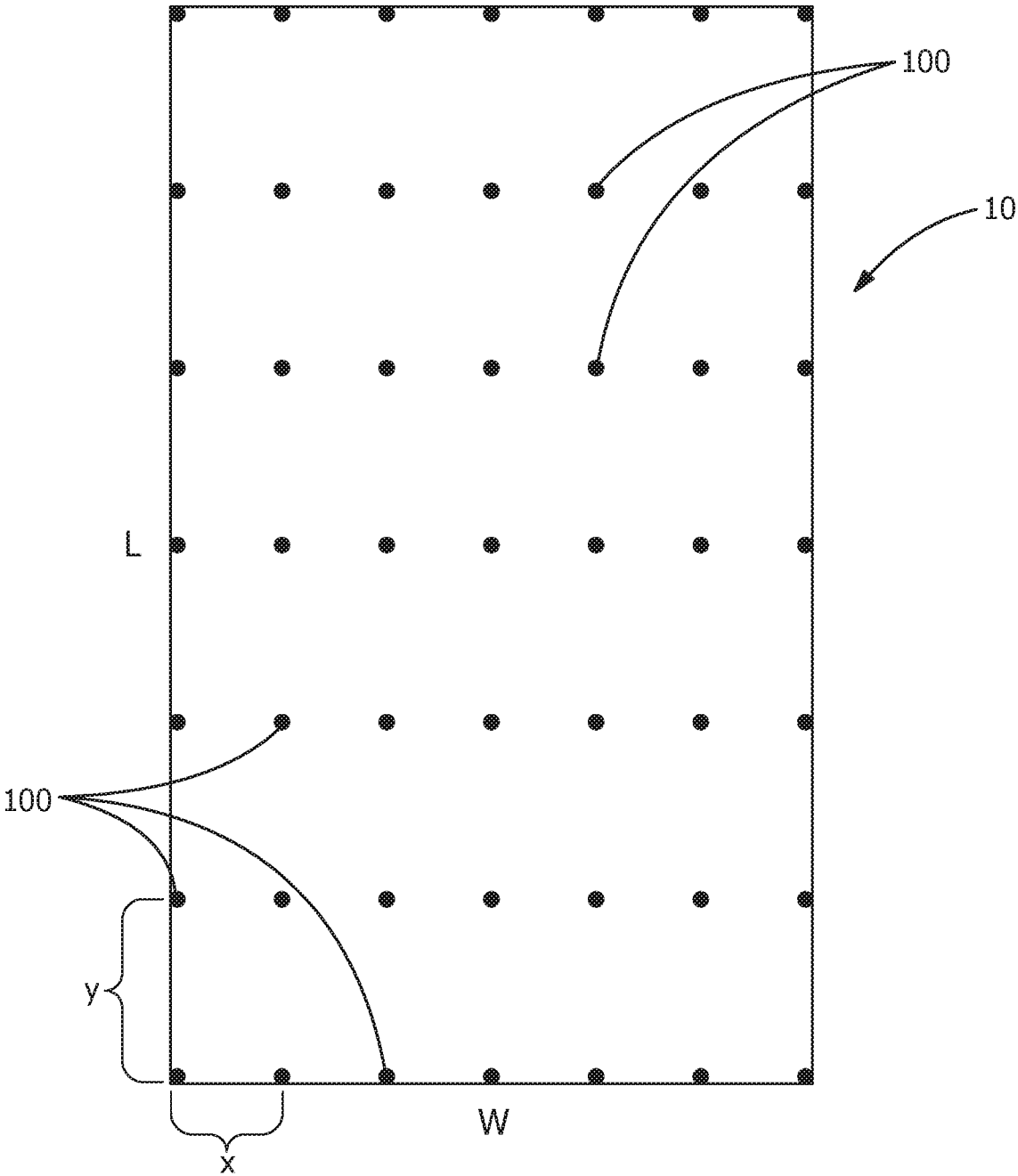


FIG. 4

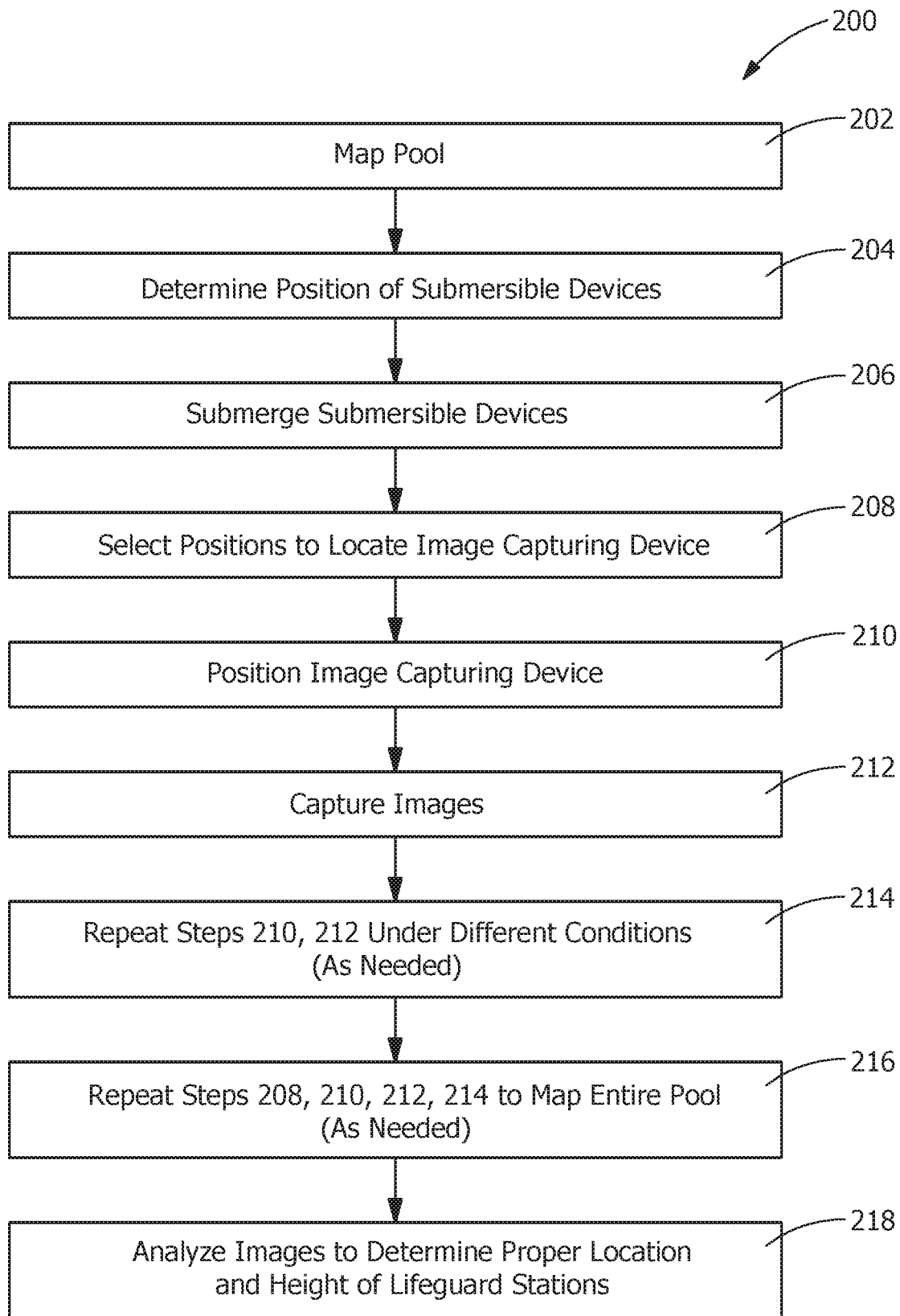


FIG. 5

LIFEGUARD POSITIONING SYSTEM AND METHOD

CROSS REFERENCE TO RELATED APPLICATIONS

This application is a Continuation of and claims priority to U.S. application Ser. No. 16/354,679 filed on Mar. 15, 2016 which claims priority to U.S. application Ser. No. 15/094,098 filed on Apr. 8, 2016, both of which are incorporated herein by reference in its entirety.

FIELD OF THE INVENTION

The present invention is a lifeguard line of sight testing method to prevent drowning incidents in swimming pool or other bodies of water. In particular, the invention is directed to a method that facilitates in the determination of the proper positioning of lifeguard stations to ensure that the lifeguards can properly see the entire pool or the assigned zone.

BACKGROUND OF THE INVENTION

At present, in many instances, the surveillance of swimming pools is carried out by human monitoring. This type of monitoring is made difficult because of reflection, refraction, and water agitation, which can make it difficult to identify visually a motionless body at a depth of less than a meter when a lifeguard is not properly positioned.

The risk of drowning in a swimming pool occurs primarily when a bather is not sufficiently capable of swimming, for example in the case of a young child, or when a swimmer succumbs to a medical emergency. In the first case, lifeguards on duty or individuals close to the bather in distress may have their attention attracted by the bather himself, in particular if the bather is momentarily able to flap his arms while trying to stay on the surface. In the second case, however, the swimmer may lose consciousness without attracting attention from lifeguards or nearby swimmers. A bather who is unable to raise his head above water will experience respiratory impairment and then respiratory distress. Without intervention, a bather in respiratory distress will progress to cardiac arrest. Depending on the body structure of the bather in distress and the amount of water inhaled and ingested during the drowning process, a bather who has suffered this type of incident may sink to the bottom of the pool or, less commonly, he may also float unconscious below the surface of the water.

When respiratory impairment begins, which marks the onset of drowning, an experienced lifeguard, in particular skilled in artificial resuscitation, has less than three minutes to give aid to the victim. If proper aid is given within this time, the victim will not generally suffer long-term physiological effects from the incident. In general, if aid is given between three and five minutes after consciousness has been lost, a time which nevertheless varies between individuals, the victim may survive but there is risk of irreversible brain damage. Biological death occurs at the point at which irreversible brain damage begins (4 to 6 minutes without oxygen) and clinical death occurs within minutes thereafter.

Various devices have been proposed to provide assistance to lifeguards in the detection of distressed swimmers/bathers. One such device is disclosed in U.S. Pat. No. 5,043,705, which is directed to the use of sonar for monitoring a swimming pool. According to this device, at least one sonar transmitter/receiver is provided on the bottom of the swimming pool, and a layer is monitored using this equipment.

However, a device of this type has a considerable drawback because, in order to install the sonar and connect it to the processing equipment which derives information from the echoes which are received, it is necessary to route cables through the bottom of the swimming pool and below this bottom, which leads to an entirely prohibitive cost if the pool has already been constructed. Moreover, safety rules prohibit the use of voltages in excess of 12 or 24 volts, depending on the country, close to the water in a swimming pool, whereas it is necessary to use voltages of several hundred volts in order to generate sonar pulses. Furthermore, the signal obtained with sonar includes echoes due to the swimming pool walls, and it is extremely difficult to eliminate the noise signal thus obtained in order to make it possible to detect the signal corresponding to the submerged body of a drowning individual. In addition, sonar essentially makes it possible to identify the body of a drowning individual by the volume of air which it contains; if a victim has his lungs filled with water, the signal obtained will not at all conform to what might be expected and may even not be identified by the signal processing. It will therefore be understood that a system of this type cannot be satisfactory.

It has also been proposed, to use cameras working in the visible wavelength range to monitor a swimming pool, these cameras being arranged in such a way that the observed region lies in a volume close to and parallel with the bottom of the swimming pool. In this device, the cameras only observe a layer of water parallel to the bottom, which means that the number of cameras needs to be increased if the bottom is not flat, as well as leaving most of the volume of the swimming pool unmonitored. Furthermore, this device does not make it possible to detect motionless bodies just below the surface of the water. Lastly, the cameras and their accessories are immersed in the swimming pool, which is unacceptable in terms of safety and causes considerable problems in connecting them to the signal processing equipment associated with them. This device cannot therefore be satisfactory.

Other technology based surveillance systems for a swimming pool are known. These systems may include one or numerous control screens which are positioned by the lifeguards' chairs or in the offices of the persons responsible for surveillance of the swimming pool. Alarms may be given through a sound and/or visual warning, in particular with an indication of the zone of the swimming pool in which a suspicious event is taking place.

However, such systems are often not perfect, allowing various significant events to go undetected. For example, it is not always possible to distinguish a shadow of a body of a swimmer passively floating, moving along the bottom, as numerous conditions must be met for the detection systems to work properly. In various systems, it is desirable for the viewpoints to be close to the object being observed. This first condition implies that numerous cameras will be used for surveillance over a large zone in relation to the dimensions of the objects that one hopes to detect. In correlation, this type of system is consequently particularly costly. For optimum use, it is desirable that the depiction of colors perceived by each camera is identical. Consequently, it is essential for the opto-electronic characteristics of the video cameras to be the same, which is not always the case. In addition, the optical route between the object and each camera may cross environments with different refraction or transparency indexes. This is notably the case when the body being observed is submerged in a swimming pool with a turbulent surface. The depiction of the colors of the object being observed by each camera is not the same. Conse-

quently, the geometric correlations that make it possible to establish that the images (their outlines and grey scale nuances) produced by each camera come from the same dense object situated in front of a colored bottom, cannot be verified with certainty. Consequently, confusion is possible between a shade of color (for example a shadow being carried) on the bottom of the swimming pool and a dense object close to the bottom. Consequently, the result is that errors in detection and false initiation of the alarm systems.

In addition, the installation of complicated technology based systems is not practical in many existing swimming pools. Existing swimming pools may not have the infrastructure to support the installation of the systems. In addition, even if the systems could be installed, the price of installation and operation may be prohibitive.

It would, therefore, be beneficial to provide a method for properly and optimally positioning lifeguard stations around a swimming pool or other body of water to provide the lifeguards with proper views of the entire pool to prevent drowning incidents. In addition, it would be beneficial to provide a method which can be used with existing swimming pools or other bodies of water to minimize drowning incidents without incurring significant installation and maintenance costs.

SUMMARY OF THE INVENTION

An object of the invention is to provide a system, equipment and method for properly and optimally positioning lifeguard stations around a swimming pool or other body of water to provide the lifeguards with proper views of the entire pool to prevent drowning incidents.

An object of the invention is to provide a system, equipment and method that can be used with existing swimming pools or other bodies of water to minimize drowning incidents without incurring significant installation and maintenance costs.

An object of the invention is to provide a system, equipment and method that allows for the critical analysis of the pool space to identify the various factors which affect the ability of a lifeguard to supervise swimmers/bathers and recognize someone in distress.

An embodiment is directed to a method of determining proper positioning of lifeguard stations at a swimming pool or body of water to minimize the risk of bather drowning. The method includes: positioning submersible devices or other objects on a bottom of the swimming pool or body of water according to an established grid or pattern; imaging the submersible devices from different locations and different heights at the same locations; analyzing the images to determine locations and heights of the lifeguard stations which provide the best sightlines of the swimming pool from the surface of the water to the bottom of the swimming pool or body of water; and positioning the lifeguard stations at the locations and the heights determined by analyzing the images and other data obtained during testing.

An embodiment is directed to a method of determining proper positioning of lifeguard stations at a swimming pool to minimize the risk of bather drowning. The method includes: mapping the shape of the swimming pool or body of water, including any blind spots that may be present to establish a grid or pattern; positioning submersible devices or other objects on the bottom of the swimming pool or body of water according to the established grid or pattern; positioning an imaging device at different locations proximate to or within the swimming pool or body of water; imaging the submersible devices from different location using the imag-

ing device; analyzing the images and other data obtained during testing to determine locations and heights of the lifeguard stations which provide the best sightlines of the swimming pool from the surface of the water to the bottom of the swimming pool or body of water; and positioning the lifeguard stations at the locations determined by analyzing the images and other data obtained during testing.

An embodiment is directed to a method of determining proper positioning of lifeguard stations at a swimming pool to minimize the risk of bathers drowning. The method includes: mapping the shape of the swimming pool or body of water, including any blind spots that may be present; establishing a grid or pattern for positioning submersible devices on the bottom of the swimming pool or body of water; positioning submersible devices on the bottom of the swimming pool or body of water according to the established grid or pattern; establishing the positioning of the one or more imaging device relative to the established grid or pattern; positioning one or more imaging devices at different locations proximate the swimming pool or body of water; imaging the submersible devices using the imaging devices from different heights at the each of the different locations; analyzing the images from each location and each height; and determining the position and height of the locations which provide the best sightlines of the swimming pool or body of water to view from the surface of the water to the bottom of the pool or body of water to facilitate the optimum positioning the lifeguard stations around the swimming pool or body of water.

Other features and advantages of the present invention will be apparent from the following more detailed description of the preferred embodiment, taken in conjunction with the accompanying drawings which illustrate, by way of example, the principles of the invention.

BRIEF DESCRIPTION OF THE DRAWINGS

FIG. 1 is a diagrammatic view of an illustrative swimming pool with lifeguard stations positioned proximate thereto, the swimming pool having representative grid lines positioned thereon.

FIG. 2 is a perspective view of an illustrative image capturing device for capturing images which is used to gather data to facilitate the proper positioning of the lifeguard stations.

FIG. 3 is a perspective view of a submersible device that is used as a visual guide to facilitate the proper positioning of the lifeguard stations; the device is shown as it would appear in the swimming pool.

FIG. 4 is a diagrammatic view of an illustrative rectangular swimming pool with the calculated position of submersible devices shown.

FIG. 5 is a block diagram illustrating an illustrative method of the present invention.

DETAILED DESCRIPTION OF THE INVENTION

The description of illustrative embodiments according to principles of the present invention is intended to be read in connection with the accompanying drawings, which are to be considered part of the entire written description. In the description of embodiments of the invention disclosed herein, any reference to direction or orientation is merely intended for convenience of description and is not intended in any way to limit the scope of the present invention. Relative terms such as "lower," "upper," "horizontal," "ver-

5

tical," "above," "below," "up," "down," "top" and "bottom" as well as derivative thereof (e.g., "horizontally," "downwardly," "upwardly," etc.) should be construed to refer to the orientation as then described or as shown in the drawing under discussion. These relative terms are for convenience of description only and do not require that the apparatus be constructed or operated in a particular orientation unless explicitly indicated as such. Terms such as "attached," "affixed," "connected," "coupled," "interconnected," and similar refer to a relationship wherein structures are secured or attached to one another either directly or indirectly through intervening structures, as well as both movable or rigid attachments or relationships, unless expressly described otherwise. Moreover, the features and benefits of the invention are illustrated by reference to the preferred embodiments. Accordingly, the invention expressly should not be limited to such preferred embodiments illustrating some possible non-limiting combination of features that may exist alone or in other combinations of features, the scope of the invention being defined by the claims appended hereto.

The positioning of lifeguards is a critical factor that contributes to lifeguard effectiveness in preventing injuries and responding to drownings at public swimming pools, water parks or other bodies of water. If the lifeguards cannot see all of the bathers in the water, the lifeguards cannot effectively supervise and protect the bathers.

The Lifesaving Society's Public Aquatic Facility Safety Standards state: "The supervision position(s) of lifeguards must be designed to eliminate blind spots in the pool area. It must be possible for the lifeguard team to observe all bathers in the pool area. Facility management and staff must analyze the pool area and implement systems that provide coverage of blind spots. These systems might include the use of elevated lifeguard stations, walking lifeguard patrols or the use of observation tools such as large mirrors or video cameras and monitors."

To develop a system of effective lifeguard positions and patrols, the staff of public aquatic facilities must carry out a systematic analysis of the pool environment. The analysis must evaluate how the physical design of the pool, the pool equipment, and the customer activities impact the lifeguarding requirements. This analysis is used to determine the positioning of the lifeguards and also considers the number of lifeguards required to safely supervise pool users.

Analysis of the pool environment includes utilizing devices that identify sightlines from all potential lifeguard positions. These devices identify blind spots from each location and identify locations where glare and other light effects interfere with lifeguard supervision. Developing images of the pool showing the effect of each of the factors will provide the staff with the information needed to develop a system of proper lifeguard positions for the facility.

As the proper number and positioning of lifeguards at public pools has a significant potential to reduce the risk of drowning, the invention is directed to, but not limited to, a system and equipment for properly and optimally positioning lifeguard stations around a swimming pool or other body of water to provide the lifeguards with proper views of the entire pool to prevent drowning incidents. The system and equipment can be used with new swimming pools or with existing swimming pools to minimize drowning incidents without incurring significant installation and maintenance costs.

Known methods of lifeguard placement include, but are not limited to, analyzing the response time, water surface area, number of swimmers/bathers, depth of the water, and features or obstacles that may interfere with sight lines. The

6

present system also analyzes this information. In addition, the present system uses devices and methods which have not been used previously to determine the optimal positioning, including the height, of the lifeguard station placement.

As shown in FIG. 2, an imaging capturing device 30 for capturing images is shown. The device includes a support member 32, such as, but not limited to, a post or rod. The support member 32 may be one piece or may be multiple pieces which can telescope to allow for easy transportation and storage. The support member 32 may be made from any material having the strength and stiffness characteristics to maintain its shape when the support member 32 is fully extended and image capturing equipment 34 is positioned thereon.

Legs 36 are positioned proximate to the support member 32. The legs 36 are connected to and support the support member 32 at connection member 38. In the embodiment shown, the three legs 36 are provided to form a tripod. However, other configurations may be used without departing from the scope of the invention. Each of the legs 36 may be one piece or may be multiple pieces which can telescope to allow for easy transportation and storage. The legs 36 may be made from any material having the strength and stiffness characteristics to maintain its shape when the support member 32 is fully extended and image capturing equipment 34 is positioned thereon.

In one exemplary embodiment, the connection member 38 is fixedly mounted to the support member 32. In this embodiment, in order to adjust the vertical positioning of the support member 32, the legs 36 and/or support member 32 are telescoping to allow for the vertical adjustment. In another exemplary embodiment, the connection member 38 is pivotally mounted to the support member 32. In this embodiment, the vertical positioning of the support member 32 may be accomplished by rotating, moving or pivoting the support member 32 relative to the connection member 38 and legs 36.

Mounting stations 40 are provided on the support member 32. The mounting stations 40 are configured to cooperate with and mount image capturing equipment 34, such as, but not limited to cameras that have simultaneous shutter release or video equipment, to the support member 32. In the embodiment shown, three mounting stations 40 are provided. The first mounting station 40A is positioned approximately 5.5 feet from the ground surface 42. The second mounting station 40B is positioned approximately 8.5 feet from the ground surface 42. The third mounting station 40C is positioned approximately 10.5 feet from the ground surface 42. These distances are chosen to conform to the distances which the eyes of a lifeguard are generally located depending upon the height of the lifeguard and the lifeguard stand or station 44. For example, 5.5 feet approximates the position of a lifeguard's eyes when seated on a seat positioned 3 feet above ground level; 8.5 feet approximates the position of a lifeguard's eyes when seated on a 6 foot tall lifeguard stand, and 10.5 feet approximates the position of a lifeguard's eyes when seated on an 8 foot tall lifeguard stand. However, other numbers of mounting stations 40 and other heights of the mounting stations 40 may be used without departing from the scope of the invention.

In the embodiment shown, the mounting stations 40 are able to pivot, move or rotate relative to the support member 32. This allows the image capturing equipment 34 to be positioned at the proper angle relative to the support member 32 and relative to the surface of the water 46 to properly capture the required images. The ability of the mounting stations 40 to move relative to the support member 32 allows

the support member to be located at different distances from the edge of the swimming pool **10**.

As shown, the image capturing equipment **34** is mounted to the mounting stations **40** using known mounting methods, such as, but not limited to, mounting screws. The image capturing equipment **34** may be operated by timer, wireless control, plunger cord or other known methods.

In the embodiment shown, positioning ropes or cables **48** extend from proximate the top of the support member **32**. The support cables **48** have weights **50** at the free end thereof. The support cables **48** and weights **50** are used to stabilize the support member **32** and properly align the support member **32**. However, other types of devices and methods can be used to stabilize the support member **32**.

A leveling measurement device **52** is provided to cooperate with support member **32**. In the embodiment shown, the leveling measurement device **52** is attached to the support member **32**. However, the leveling measurement device **52** may be a separate member. The leveling measurement device **52** may be, but is not limited to, a level.

In use, it is beneficial to have the support member **32** in a vertical position. This allows the mounting stations **40** and the image capturing equipment **34** to be properly positioned in a vertical arrangement, thereby ensuring that the images are not distorted or inaccurate based on vertical misalignment. The use of the leveling measurement device **52** allows for the proper orientation. If the support member **32** is not initially vertical, the legs **36** can be adjusted. If the support member **32** is moveable relative to the connection member **38**, the support member **32** may be rotated to vertical, either in addition to the movement of the legs **36** or in place of the movement of the legs **36**. If the support member **32** is moved, the support cables **48** and the weights **50** are moved to the appropriate position to maintain the support member **32** in the vertical position.

Referring to FIG. 3, a specifically constructed submersible device **100** is shown. FIG. 3 represents the device **100** when it is positioned in the pool **10**. The device **100** is made of waterproof material that is constructed to be positioned in a swimming pool **10** without damage to the device **100** or the pool **10** and without injuring the occupants of the pool **10** or interfering with the chemical parameters of the pool. Such materials include, but are not limited to, vinyl and plastic. In the illustrative embodiment shown, the material of the device **100** has multiple colors that allow for line of sight to be detected without yielding false negative or false positive results. When placed in the pool **10**, the device **100** is used to simulate a submerged swimmer/bather. The device **100** is constructed to be submersible and to simulate the approximate dimensions of a two and one-half to three year old child in a fetal position, the smallest person likely to be unattended at a public swimming pool or other body of water. However, other dimensions of the device **100** can be used.

As best shown in FIG. 3, the device **100** has a base **102** and moveable members **104, 106**. The base **102** includes a weighted portion **108** that has sufficient weight to cause the device **100** to remain at a specific location in the pool **10**. The weighted portion **108** can include any material which has the weight required. Such material includes, but is not limited to, sand or metal strips. In the illustrative embodiment shown, the material is housed in pockets **110** of the base **102** which are enclosed by the material of the device **100**. However, other configurations of the weighted portion **108** can be used without departing from the scope of the invention.

Extending from base **102** are moveable portions or members **104, 106**. The moveable members **104, 106** are configured to have less weight than the base **102**, thereby allowing the moveable members **104, 106** to move and sway as the current of the water changes. In other words, the moveable members **104, 106** are allowed to be free floating at the bottom of the pool **10** to better simulate a submerged swimmer/bather. The moveable members **104, 106** may be integrally formed with the base **102** or the moveable members **104, 106** are separate pieces which may be attached to the base **102** using adhesive or other known methods, or the movable members **104, 106** may remain unattached from the base **102**, provided that the buoyancy of the movable members **104, 106** is counterbalanced by a weighted portion that prevents the movable members **104, 106** from becoming detached from the base **102**. In the illustrative embodiment shown, the moveable members **104, 106** are made from the same material as the base **102**. However, the moveable members **104, 106** may be made from different material from the base **102** or with different visuals from the base **102** without departing from the scope of the invention.

As the device **100** may be positioned in the pool **10** at the same time as the swimmers/bathers are using the pool **10**, the devices **100** are designed to not interfere with the swimmers/bathers. In the illustrative embodiment shown, the base **102** has a width of 9.6 inches a length of 23.1 inches and a height of 0.125 inches. Each of the moveable members **104, 106** has a width of 9.6 inches, a length of 3.9 inches, and a height of 9.6 inches. However, as previously discussed, the dimensions of the base **102** and moveable members **104, 106** may vary depending upon the size of swimmer/bather to be simulated.

In the illustrative embodiment shown in FIG. 4, the devices **100** are submerged as locations along the length L and the width W of the pool **10** to form a grid like pattern. In the embodiment shown, the pool is rectangular in shape.

The spacing of the devices **100** in the direction of the width W of the pool **10** is calculated by using the formula:

$$x = \frac{\text{width of pool}}{\sqrt{n} - 1}$$

where n is the number of devices **100**.

The spacing of the devices **100** in the direction of the length L of the pool **10** is calculated by using the formula:

$$x = \frac{\text{length of pool}}{\sqrt{n} - 1}$$

where n is the number of devices.

However, as other shapes of pools may be used, the formulas used to calculate the spacing and positioning of the devices **100** may be modified to account for any irregularities in the shape of the pool.

The imaging capturing device **30** and the devices **100** are used to facilitate the proper positioning of the lifeguard stations. As shown in FIG. 5, an illustrative method **200** for gathering and analyzing information is shown. In the illustrative embodiment, the pool **10** is mapped to determine the dimensions and configuration of the pool (step **202**), including any blind spots that may be present, to establish a grid or pattern. Based on the grid or pattern, the positioning of the submersible devices **100** are then determined (step **204**). Once the locations of the submersible devices **100** are

determined, the submersible devices **100** are submerged in the proper location (step **206**). The submersible devices **100** are positioned at the bottom of the pool or body of water. In other embodiments, locations proximate the pool or body of water are then selected to position the image capturing device **30** (step **206**) based on the map of the pool, and in particular, any obstructions which interfere with sight lines that may be present. The image capturing device **30** is then positioned accordingly (step **208**). Images of the submersible devices **100** are captured (step **210**) from all image capturing equipment **34** located on the image capturing device **30**, thereby allowing images to be captured at different heights. Images continue to be captured (step **212**), as needed, as the conditions change. For example, images may be captured at different times of the day and/or according to changing surface turbulence created by bathers, waves, wind, water spray features; turbidity caused by air entrainment from waves or bubble features; reflected images; glare from light; and/or lighting levels, design and positioning of light or lighting sources water depth; background color of the pool walls and bottoms; and sightline obstructions such as in-water fixtures, support pillars, on-deck play structures.

Once the imaging is complete at a particular location, the image capturing device **30** is moved to the next location (step **216**) and the imaging capturing process is repeated. With all images captured, all information is analyzed (step **218**) to determine the location and height of lifeguard stations that provide the best sightlines of the swimming pool or other body of water to view from the surface of the water to the bottom of the pool shell for optimum safety of the swimmers/bathers. The lifeguard stations are then positioned at the locations and the height determined by analyzing the information.

While the method of FIG. 5 includes steps **202** through **218**, the order in which the steps are performed may be varied. For example, step **208**, selecting locations to position the image capturing device **30** based on the map of the pool, may be done at the same time as step **204**, positioning devices **100** in the pool **10**. In addition, other steps may be included without departing from the scope of the invention.

This system and method allows for the critical analysis of the pool space to identify the line of sight factors which affect the ability of a lifeguard to supervise swimmers/bathers and recognize someone in distress. This analysis includes using the submerged device **100** to evaluate the ability to see the device **100** under a variety of conditions. These conditions include: different distances and elevations between lifeguard and device **100** locations; surface turbulence created by bathers, waves, wind, water spray features; turbidity caused by air entrainment from waves or bubble features; reflected images; glare from light; lighting levels, design and positioning of light or lighting sources; water depth; background color of the pool **10** walls and bottoms; and sightline obstructions such as in-water fixtures, support pillars, on-deck play structures, etc.

While the invention has been described with reference to a preferred embodiment, it will be understood by those skilled in the art that various changes may be made and equivalents may be substituted for elements thereof without departing from the spirit and scope of the invention as defined in the accompanying claims. In particular, it will be clear to those skilled in the art that the present invention may be embodied in other specific forms, structures, arrangements, proportions, sizes, and with other elements, materials and components, without departing from the spirit or essential characteristics thereof. One skilled in the art will appreciate that the invention may be used with many modifica-

tions of structure, arrangement, proportions, sizes, materials and components and otherwise used in the practice of the invention, which are particularly adapted to specific environments and operative requirements without departing from the principles of the present invention. The presently disclosed embodiments are therefore to be considered in all respects as illustrative and not restrictive, the scope of the invention being defined by the appended claims, and not limited to the foregoing description or embodiments.

The invention claimed is:

1. A method of facilitating a lifeguard to supervise swimmers/bathers in a swimming pool or body of water and search for a swimmer/bather in distress, the method comprising:

mapping the shape of the swimming pool or body of water including any irregularities that may be present;

calculating and mapping a grid to determine the positioning of the submersible devices in the swimming pool or body of water;

submerging submersible devices which simulate the refracted appearance a human submerged swimmer/bather in the swimming pool or body of water in the swimming pool or body of water according to the calculated and mapped grid, the submersible devices comprising;

weighted portions configured to maintain the submerged submersible devices at specific locations in the swimming pool or body of water;

movable members extending from the weighted portions, the movable members having sufficient buoyancy to move relative to the weighted portions in the swimming pool or body of water;

viewing the swimming pool or body of water and counting the number of submersible devices visible in three-dimensions under varying environmental and swimmer/bather density conditions;

wherein viewing the submerged submersible devices arranged in the swimming pool or body of water in the calculated grid trains the lifeguard to effectively search every cubic foot of water of an assigned zone in the swimming pool or body of water.

2. The method of facilitating a lifeguard as recited in claim **1**, wherein the movable members are moved by water in the swimming pool or body of water to simulate the swimmer/bather in distress at the bottom of the swimming pool or body of water.

3. The method of facilitating a lifeguard as recited in claim **1**, wherein the submersible devices are sized to approximate the size of a 2½ to 3 year old child in a fetal position.

4. The method of facilitating a lifeguard as recited in claim **1**, wherein the submersible devices have multiple colors to preclude false positive or false negative results when training with the submersible devices.

5. The method of facilitating a lifeguard as recited in claim **1**, further observing the submerged submersible devices under different conditions consisting of surface turbulence created by swimmers/bathers, waves, wind, water spray features; turbidity caused by air entrainment from waves or bubble features; reflected images; glare from light; lighting levels, design and positioning of light or lighting sources; water depth; background color of the pool walls and bottoms; and sightline obstructions such as in-water fixtures, support pillars, on-deck play structures; or combinations thereof.

6. The method of facilitating a lifeguard as recited in claim 1, wherein the movable members have less weight than the weighted portions.

7. The method of facilitating a lifeguard as recited in claim 6, wherein the movable members have a different color than the weighted portions to preclude false positive or false negative results when observed.

8. The method of facilitating a lifeguard as recited in claim 7, wherein two movable members extend from each weighted portion of the weighted portions.

9. A method of training a lifeguard to systematically search for a swimmer/bather in distress, the method comprising:

developing a grid for the swimming pool or body of water based on the size and shape of the swimming pool or body of water and any irregularities in the swimming pool or body of water;

submerging and positioning the submersible devices in the swimming pool or body of water according to the established grid, the submerged submersible devices having base sections with weighted portions and movable members extending from the base sections, the weighted portions configured for maintaining the bases and the submersible devices at specific locations in the swimming pool or body of water, the movable members having sufficient buoyancy to move relative to the base sections in the swimming pool or body of water, the submerged submersible devices simulating the refracted appearance a human submerged swimmer/bather in the swimming pool or body of water to simulate the swimmers/bathers in distress in the swimming pool or body of water;

observing the submerged submersible devices from different locations and under varying environmental and swimmer/bather density conditions;

wherein the method facilitates training the lifeguard to systematically search for the swimmer/bather in distress in the swimming pool or body of water.

10. The method of training a lifeguard to systematically supervise swimmers/bathers in a swimming pool or body of water and search for the swimmer/bather in distress as recited in claim 9, wherein the varying environmental conditions consists of surface turbulence created by swimmers/bathers, waves, wind, water spray features; turbidity caused by air entrainment from waves or bubble features; reflected images; glare from light; lighting levels, design and positioning of light or lighting sources; water depth; background color of the pool walls and bottoms; sightline obstructions such as in-water fixtures, support pillars, on-deck play structures; or a combination thereof.

11. The method of training a lifeguard to systematically supervise swimmers/bathers in a swimming pool or body of water and search for the swimmer/bather in distress as recited in claim 9, wherein the submersible devices are sized to approximate the size of a 2½ to 3 year old child in a fetal position.

12. The method of training a lifeguard to systematically supervise swimmers/bathers in a swimming pool or body of water and search for the swimmer/bather in distress as recited in claim 9, wherein the submersible devices have multiple colors to preclude false positive or false negative results when training with the submersible devices.

13. The method of training a lifeguard to systematically supervise swimmers/bathers in a swimming pool or body of water and search for the swimmer/bather in distress as

recited in claim 9, wherein the movable members have less weight than the base sections.

14. The method of training a lifeguard to systematically supervise swimmers/bathers in a swimming pool or body of water and search for the swimmer/bather in distress as recited in claim 13, wherein the movable members have a different color than the base sections to preclude false positive or false negative results when observed.

15. The method of training a lifeguard to systematically supervise swimmers/bathers in a swimming pool or body of water and search for the swimmer/bather in distress as recited in claim 14, wherein two movable members extend from the base section of the base sections.

16. A method of training a lifeguard to systematically search an area of a swimming pool or body of water, the method comprising:

mapping the shape of the swimming pool or body of water including any irregularities that may be present;

calculating and mapping a grid to determine the positioning of the submersible devices in the swimming pool or body of water;

submerging submersible devices which simulate the refracted appearance a human submerged swimmer/bather in the swimming pool or body of water in the swimming pool or body of water according to the calculated and mapped grid, the submersible devices comprising;

base sections having weighted portions configured to maintain the submerged submersible devices at specific locations in the swimming pool or body of water;

movable members extending from the base sections, the movable members having sufficient buoyancy to move relative to the base sections in the swimming pool or body of water;

viewing all the submerged submersible devices according to the grid;

documenting and analyzing time required to view all of the submerged submersible devices;

wherein the viewing of the submerged submersible devices trains the lifeguard to systematically search for the swimmer/bather in distress in the swimming pool or body of water.

17. The method of training a lifeguard to systematically search an area of a swimming pool or body of water as recited in claim 16, comprising viewing the submerged submersible devices under varying environmental conditions.

18. The method of training a lifeguard to systematically search an area of a swimming pool or body of water as recited in claim 17, wherein the movable members have less weight than the base sections.

19. The method of training a lifeguard to systematically search an area of a swimming pool or body of water as recited in claim 18, wherein the movable members have a different color than the base sections to preclude false positive or false negative results when observed.

20. The method of training a lifeguard to systematically search an area of a swimming pool or body of water as recited in claim 19, wherein two movable members extend from the base section of the base sections.