



- (51) **International Patent Classification:**  
A47K 13/12 (2006.01)
- (21) **International Application Number:**  
PCT/DK2011/050519
- (22) **International Filing Date:**  
23 December 2011 (23.12.2011)
- (25) **Filing Language:** English
- (26) **Publication Language:** English
- (30) **Priority Data:**  
PA 2011 00001 3 January 2011 (03.01.2011) DK
- (71) **Applicant (for all designated States except US):** PRES-SALIT A/S [DK/DK]; Pressalitvej 1, DK-8680 Ry (DK).
- (72) **Inventors; and**
- (75) **Inventors/Applicants (for US only):** PEDERSEN, Henrik [DK/DK]; Vesterbakken 14, DK-8600 Silkeborg (DK). RATHKE, Morten [DK/DK]; Silkeborgvej 190, DK-8472 Sporup (DK).
- (74) **Agent:** PATRADE A/S; Fredens Torv 3A, DK-8000 Aarhus C (DK).
- (81) **Designated States (unless otherwise indicated, for every kind of national protection available):** AE, AG, AL, AM,

AO, AT, AU, AZ, BA, BB, BG, BH, BR, BW, BY, BZ, CA, CH, CL, CN, CO, CR, CU, CZ, DE, DK, DM, DO, DZ, EC, EE, EG, ES, FI, GB, GD, GE, GH, GM, GT, HN, HR, HU, ID, IL, IN, IS, JP, KE, KG, KM, KN, KP, KR, KZ, LA, LC, LK, LR, LS, LT, LU, LY, MA, MD, ME, MG, MK, MN, MW, MX, MY, MZ, NA, NG, NI, NO, NZ, OM, PE, PG, PH, PL, PT, QA, RO, RS, RU, RW, SC, SD, SE, SG, SK, SL, SM, ST, SV, SY, TH, TJ, TM, TN, TR, TT, TZ, UA, UG, US, UZ, VC, VN, ZA, ZM, ZW.

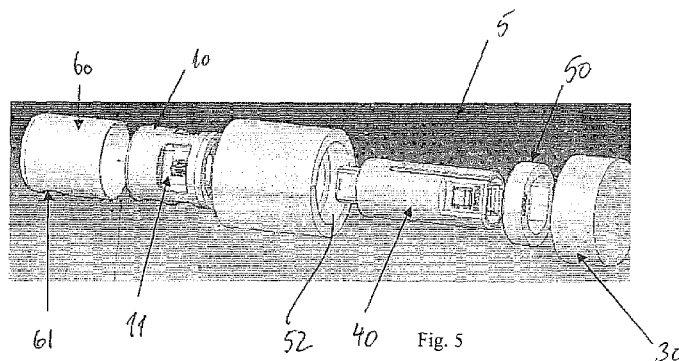
- (84) **Designated States (unless otherwise indicated, for every kind of regional protection available):** ARIPO (BW, GH, GM, KE, LR, LS, MW, MZ, NA, RW, SD, SL, SZ, TZ, UG, ZM, ZW), Eurasian (AM, AZ, BY, KG, KZ, MD, RU, TJ, TM), European (AL, AT, BE, BG, CH, CY, CZ, DE, DK, EE, ES, FI, FR, GB, GR, HR, HU, IE, IS, IT, LT, LU, LV, MC, MK, MT, NL, NO, PL, PT, RO, RS, SE, SI, SK, SM, TR), OAPI (BF, BJ, CF, CG, CI, CM, GA, GN, GQ, GW, ML, MR, NE, SN, TD, TG).

**Published:**

- with international search report (Art. 21(3))
- before the expiration of the time limit for amending the claims and to be republished in the event of receipt of amendments (Rule 48.2(h))

[Continued on next page]

(54) **Title:** TOILET HINGE ARRANGEMENT



(57) **Abstract:** Toilet hinge arrangement (1) for releasable fastening of a toilet cover assembly, including a toilet seat and/or a toilet cover, to a toilet bowl, so that the toilet cover assembly can pivot about a substantially horizontal rotation axis, where dampening means are activated for dampening the downward movement of said toilet seat and/or cover, said toilet hinge arrangement includes a base member with a lower side adapted to abut the surface of the toilet bowl, where said base member has a shaft member projecting up" wards from the base member, said shaft being suitable to releasably engage a hinge part characterised in that the hinge part comprises: - a dampener (40), said dampener having a first end (42) rotatable relative to the dampener body (41), where the rotation of the first end is dampened relative to the body - an engagement part (10) where said engagement part has means (42) for engaging a first end of said dampener; a first ring-shaped connection eye (20) of the toilet seat or cover, having an opening such that the ring-shaped connection eye is arranged about the dampener; a second ring-shaped connection eye (30) of the toilet seat or cover, having means for engaging the free end of the dampener body in a non-rotatable manner where said dampener is provided with first fastening means adjacent the free end of the dampener body, where said second ring shaped connection eye is provided with means for accommodating and firmly engaging said dampener's first fastening means; and where said engagement part is provided with second fastening means which second fastening means will firmly engage the first end of the dampener where both first and second fastening means will maintain the dampener in fixed relationship axially along the rotation axis.

(88) Date of publication of the international search report:  
12 September 2013

# INTERNATIONAL SEARCH REPORT

International application No PCT/DK2011/050519
---

<b>A. CLASSIFICATION OF SUBJECT MATTER</b> INV. A47K13/12 ADD.		
According to International Patent Classification (IPC) or to both national classification and IPC		
<b>B. FIELDS SEARCHED</b>		
Minimum documentation searched (classification system followed by classification symbols) A47K		
Documentation searched other than minimum documentation to the extent that such documents are included in the fields searched		
Electronic data base consulted during the international search (name of data base and, where practicable, search terms used) EPO-Internal, WPI Data		
<b>C. DOCUMENTS CONSIDERED TO BE RELEVANT</b>		
Category*	Citation of document, with indication, where appropriate, of the relevant passages	Relevant to claim No.
A	EP 1 532 913 A2 (PAGETTE SANITAER PRODUKTIONS U [DE] PAGETTE GMBH [DE]) 25 May 2005 (2005-05-25) cited in the application paragraph [0023] - paragraph [0033]; figures 1-7	1
A	EP 2 189 092 A1 (HAMBERGER INDUSTRIEWERKE GMBH [DE]) 26 May 2010 (2010-05-26) paragraph [0030] - paragraph [0033]; figure 7	1
<input type="checkbox"/> Further documents are listed in the continuation of Box C. <span style="margin-left: 100px;"><input checked="" type="checkbox"/> See patent family annex.</span>		
* Special categories of cited documents :		
"A" document defining the general state of the art which is not considered to be of particular relevance "E" earlier application or patent but published on or after the international filing date "L" document which may throw doubts on priority claim(s) or which is cited to establish the publication date of another citation or other special reason (as specified) "O" document referring to an oral disclosure, use, exhibition or other means "P" document published prior to the international filing date but later than the priority date claimed	"T" later document published after the international filing date or priority date and not in conflict with the application but cited to understand the principle or theory underlying the invention "X" document of particular relevance; the claimed invention cannot be considered novel or cannot be considered to involve an inventive step when the document is taken alone "Y" document of particular relevance; the claimed invention cannot be considered to involve an inventive step when the document is combined with one or more other such documents, such combination being obvious to a person skilled in the art "&" document member of the same patent family	
Date of the actual completion of the international search	Date of mailing of the international search report	
4 July 2013	11/07/2013	
Name and mailing address of the ISA/ European Patent Office, P.B. 5818 Patentlaan 2 NL - 2280 HV Rijswijk Tel. (+31-70) 340-2040, Fax: (+31-70) 340-3016	Authorized officer  Clasing, Martina	

# INTERNATIONAL SEARCH REPORT

Information on patent family members

International application No

PCT/DK2011/050519

Patent document cited in search report	Publication date	Patent family member(s)	Publication date	
EP 1532913	A2	25-05-2005	AT 397407 T	15-06-2008
			DE 10353944 A1	23-06-2005
			EP 1532913 A2	25-05-2005
-----				
EP 2189092	A1	26-05-2010	DE 102008058580 A1	27-05-2010
			EP 2189092 A1	26-05-2010
-----				