



- (51) International Patent Classification:
G06F 3/033 (2013.01) *G06F 3/0354* (2013.01)
- (21) International Application Number:
PCT/IB2013/001099
- (22) International Filing Date:
23 April 2013 (23.04.2013)
- (25) Filing Language: English
- (26) Publication Language: English
- (30) Priority Data:
61/637,094 23 April 2012 (23.04.2012) US
61/719,038 26 October 2012 (26.10.2012) US
- (71) Applicant: **HEX3 LIMITED** [—/CN]; 20th Floor, Wah Hing Commercial Building, 283 Lockhart Road, Wanchai (CN).
- (72) Inventor: **ATHERTON, Jon**; 28 Hiron Street, Saint Lucia, Queensland 4067 (AU).
- (81) Designated States (*unless otherwise indicated, for every kind of national protection available*): AE, AG, AL, AM, AO, AT, AU, AZ, BA, BB, BG, BH, BN, BR, BW, BY, BZ, CA, CH, CL, CN, CO, CR, CU, CZ, DE, DK, DM, DO, DZ, EC, EE, EG, ES, FI, GB, GD, GE, GH, GM, GT, HN, HR, HU, ID, IL, IN, IS, JP, KE, KG, KM, KN, KP,

KR, KZ, LA, LC, LK, LR, LS, LT, LU, LY, MA, MD, ME, MG, MK, MN, MW, MX, MY, MZ, NA, NG, NI, NO, NZ, OM, PA, PE, PG, PH, PL, PT, QA, RO, RS, RU, RW, SC, SD, SE, SG, SK, SL, SM, ST, SV, SY, TH, TJ, TM, TN, TR, TT, TZ, UA, UG, US, UZ, VC, VN, ZA, ZM, ZW.

- (84) Designated States (*unless otherwise indicated, for every kind of regional protection available*): ARIPO (BW, GH, GM, KE, LR, LS, MW, MZ, NA, RW, SD, SL, SZ, TZ, UG, ZM, ZW), Eurasian (AM, AZ, BY, KG, KZ, RU, TJ, TM), European (AL, AT, BE, BG, CH, CY, CZ, DE, DK, EE, ES, FI, FR, GB, GR, HR, HU, IE, IS, IT, LT, LU, LV, MC, MK, MT, NL, NO, PL, PT, RO, RS, SE, SI, SK, SM, TR), OAPI (BF, BJ, CF, CG, CI, CM, GA, GN, GQ, GW, ML, MR, NE, SN, TD, TG).

Published:

- with international search report (Art. 21(3))
- before the expiration of the time limit for amending the claims and to be republished in the event of receipt of amendments (Rule 48.2(h))

- (88) Date of publication of the international search report:
20 February 2014

(54) Title: APPARATUS FOR INTERFACING WITH TOUCH SCREEN DEVICE

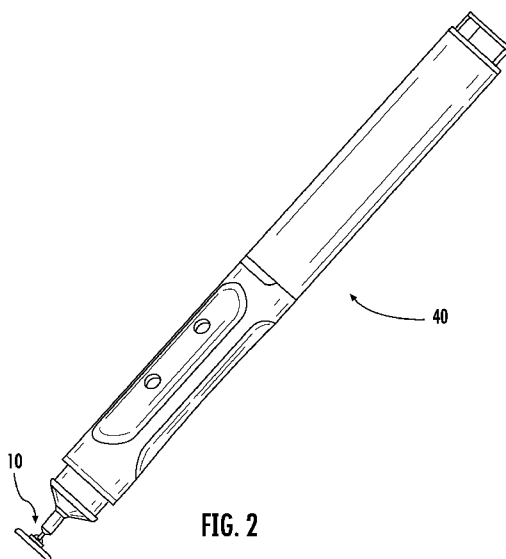


FIG. 2

(57) Abstract: Included are embodiments of an apparatus for interacting with a touch screen. The apparatus includes a pin (12) that includes a first end and a second end, where the first end removably attaches to an instrument. The apparatus also includes a base assembly (20) that is coupled to the second end of the pin (12). The base assembly (20) includes a substrate layer (24), that is substantially transparent in appearance and a conductive layer (22) that is substantially transparent in appearance and electrically interacts with conductive regions of the touch screen device and the substrate layer (24).



INTERNATIONAL SEARCH REPORT

International application No.

PCT/IB2013/001099

A. CLASSIFICATION OF SUBJECT MATTER

See the extra sheet

According to International Patent Classification (IPC) or to both national classification and IPC

B. FIELDS SEARCHED

Minimum documentation searched (classification system followed by classification symbols)

IPC: G06F 3/-

Documentation searched other than minimum documentation to the extent that such documents are included in the fields searched

Electronic data base consulted during the international search (name of data base and, where practicable, search terms used)

CNKI,CNPAT,WPLEPODOC: stylus, pen+, writ+, conduct+, touch w screen, transparent

C. DOCUMENTS CONSIDERED TO BE RELEVANT

Category*	Citation of document, with indication, where appropriate, of the relevant passages	Relevant to claim No.
Y	KR 20110062967 A (LG DISPLAY CO., LTD.) 10 Jun. 2011 (10.06.2011) description paragraphs [0002]-[0050], figs. 2-6	1-20
Y	TW M418337 U1 (DAGI CORPORATION LTD.) 11 Dec. 2011 (11.12.2011) description pages 4-8, figs. 2-7	1-20
A	KR 20110110686 A (MENIX CO., LTD. et al.) 07 Oct. 2011 (07.10.2011) the whole document	1-20

Further documents are listed in the continuation of Box C.

See patent family annex.

* Special categories of cited documents:

“A” document defining the general state of the art which is not considered to be of particular relevance

“E” earlier application or patent but published on or after the international filing date

“L” document which may throw doubts on priority claim (S) or which is cited to establish the publication date of another citation or other special reason (as specified)

“O” document referring to an oral disclosure, use, exhibition or other means

“P” document published prior to the international filing date but later than the priority date claimed

“T” later document published after the international filing date or priority date and not in conflict with the application but cited to understand the principle or theory underlying the invention

“X” document of particular relevance; the claimed invention cannot be considered novel or cannot be considered to involve an inventive step when the document is taken alone

“Y” document of particular relevance; the claimed invention cannot be considered to involve an inventive step when the document is combined with one or more other such documents, such combination being obvious to a person skilled in the art

“&” document member of the same patent family

Date of the actual completion of the international search

13 Nov. 2013 (13.11.2013)

Date of mailing of the international search report

05 Dec. 2013 (05.12.2013)

Name and mailing address of the ISA/CN

The State Intellectual Property Office, the P.R.China
6 Xitucheng Rd., Jimen Bridge, Haidian District, Beijing, China
100088
Facsimile No. 86-10-62019451

Authorized officer

WANG Jianliang

Telephone No. (86-10)62413501

INTERNATIONAL SEARCH REPORT
Information on patent family members

International application No.
PCT/IB2013/001099

Patent Documents referred in the Report	Publication Date	Patent Family	Publication Date
KR 20110062967 A	10.06.2011	None	
TW M418337 U1	11.12.2011	US 2012/0327046 A1 CN 202720595 U	27.12.2012 06.02.2013
KR 20110110686 A	07.10.2011	None	

INTERNATIONAL SEARCH REPORT

International application No.

PCT/IB2013/001099

Continuation of: CLASSIFICATION OF SUBJECT MATTER

G06F 3/033 (2013.01) i

G06F 3/0354 (2013.01) i