

(12) UK Patent Application (19) GB (11) 2618219 (13) A

(43) Date of Reproduction by UK Office 01.11.2023

(21) Application No: 2306170.8

(22) Date of Filing: 12.01.2023

Date Lodged: 26.04.2023

(30) Priority Data:
(31) 32022046261 (32) 13.01.2022 (33) HK

(86) International Application Data:
PCT/CN2023/071905 Zh 12.01.2023

(87) International Publication Data:
WO2023/134726 Zh 20.07.2023

(51) INT CL:
B65D 33/16 (2006.01) A44B 19/16 (2006.01)

(56) Documents Cited:
CN 215157162 U CN 214932115 U
CN 213169335 U CN 203877145 U
HK 030056449 A2 US 20180057220 A1
US 20110069911 A1 US 20070094850 A1

(58) Field of Search:
INT CL A44B, B65D
Other: CNTXT, DWPI, ENTXT, ENTXTC, VEN, WPABS

(71) Applicant(s):
Tim Yuen Hon
Flat D, 7/F, BLK2 Double Cove, 8 Wu kai sha road,
Ma On Shan, NT, Hong Kong, China

(72) Inventor(s):
Tim Yuen Hon
Kam Yuen Dennis Hon

(74) Agent and/or Address for Service:
Maucher Jenkins
Seventh Floor Offices, Artillery House,
11-19 Artillery Row, London, SW1P 1RT,
United Kingdom

(54) Title of the Invention: **Sealing bag**
Abstract Title: **Sealing bag**

(57) A sealing bag is disclosed. The sealing bag comprising: a bag body (1), an opening portion (11) provided on the bag body, and a convex strip (12) provided around the outer periphery of the opening portion; and a sealing member provided with a sealing groove (21), the sealing groove being provided with a stopper (22), wherein the sealing groove at least penetrates one side of the sealing strip can penetrate into the sealing groove from the first sealing opening, and the stopper is configured to confine the opening portion within the sealing groove, the groove width of the sealing groove gradually increases from the bottom of the sealing groove towards the direction of the stopper.

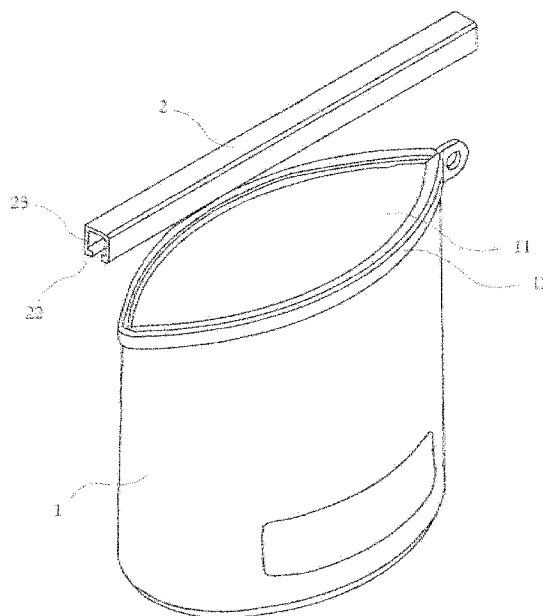


FIG. 2

GB 2618219 A