



(12) **EUROPEAN PATENT APPLICATION**

(88) Date of publication A3:  
**26.05.2010 Bulletin 2010/21**

(51) Int Cl.:  
**B41J 11/00<sup>(2006.01)</sup>** **B05C 1/08<sup>(2006.01)</sup>**  
**B05C 11/10<sup>(2006.01)</sup>**

(43) Date of publication A2:  
**17.08.2005 Bulletin 2005/33**

(21) Application number: **05002780.4**

(22) Date of filing: **10.02.2005**

(84) Designated Contracting States:  
**AT BE BG CH CY CZ DE DK EE ES FI FR GB GR HU IE IS IT LI LT LU MC NL PL PT RO SE SI SK TR**  
 Designated Extension States:  
**AL BA HR LV MK YU**

(72) Inventors:  
 • **Iwasaki, Osamu**  
**Tokyo (JP)**  
 • **Otsuka, Naoji**  
**Tokyo (JP)**  
 • **Nakagawa, Yoshinori**  
**Tokyo (JP)**

(30) Priority: **12.02.2004 JP 2004035805**

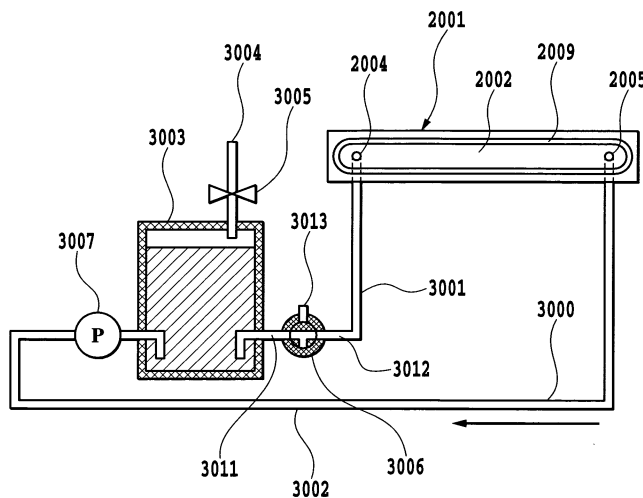
(71) Applicant: **CANON KABUSHIKI KAISHA**  
**Ohta-ku**  
**Tokyo (JP)**

(74) Representative: **TBK-Patent**  
**Bavariaring 4-6**  
**80336 München (DE)**

(54) **Liquid applying apparatus and ink jet printing apparatus**

(57) The present invention provides a liquid applying apparatus and an ink jet printing apparatus which can reduce evaporation that may occur when a application liquid is left in a liquid holding member (2001) for a long time, the liquid holding member (2001) forming a space between an elastic member and a roller to hold the application liquid, the apparatuses also being capable of preventing the leakage of the liquid from the liquid holding member regardless of a variation in the posture of the

apparatus. In collectiting the application liquid from the liquid holding member (2001) to a storage tank (3003), the apparatuses switches a selector valve (3006) to allow an air communicating port (3013) and a tube (3011) to communicate with each other. The apparatuses further drive a pump (3007) to collect the application liquid from a liquid applying member and channels to the storage tank (3003). Once the collecting is finished, the air communicating valve (3005) is closed.



**FIG.11**



EUROPEAN SEARCH REPORT

Application Number  
EP 05 00 2780

DOCUMENTS CONSIDERED TO BE RELEVANT			
Category	Citation of document with indication, where appropriate, of relevant passages	Relevant to claim	CLASSIFICATION OF THE APPLICATION (IPC)
X	EP 0 612 618 A2 (DEMOORE HOWARD W [US]) 31 August 1994 (1994-08-31)	1-6,8, 10,11, 15-19	INV. B41J11/00 B05C1/08 B05C11/10
Y	* column 4, line 31 - column 7, line 1 * * column 7, line 48 - column 8, line 2 * * figures 1-3 *	13,14	
X	----- US 6 383 296 B1 (BURGARD ROBERT L [US]) 7 May 2002 (2002-05-07) * column 3, line 65 - column 4, line 10 * * column 5, line 1 - column 6, line 63 * * figures 3,4,9,10 *	1,9,12	
Y	----- EP 1 262 330 A1 (HEWLETT PACKARD CO [US]) 4 December 2002 (2002-12-04) * the whole document *	13,14	
			TECHNICAL FIELDS SEARCHED (IPC)
			B05C B41J B41F
The present search report has been drawn up for all claims			
Place of search		Date of completion of the search	Examiner
The Hague		14 April 2010	Bonnin, David
CATEGORY OF CITED DOCUMENTS		T : theory or principle underlying the invention E : earlier patent document, but published on, or after the filing date D : document cited in the application L : document cited for other reasons	
X : particularly relevant if taken alone Y : particularly relevant if combined with another document of the same category A : technological background O : non-written disclosure P : intermediate document		& : member of the same patent family, corresponding document	

1  
EPO FORM 1503 03.02 (P04C01)

**ANNEX TO THE EUROPEAN SEARCH REPORT  
ON EUROPEAN PATENT APPLICATION NO.**

EP 05 00 2780

This annex lists the patent family members relating to the patent documents cited in the above-mentioned European search report. The members are as contained in the European Patent Office EDP file on  
The European Patent Office is in no way liable for these particulars which are merely given for the purpose of information.

14-04-2010

Patent document cited in search report		Publication date	Patent family member(s)	Publication date
EP 0612618	A2	31-08-1994	CA 2097378 A1	26-08-1994
			JP 6246902 A	06-09-1994
			US 5367982 A	29-11-1994
-----				
US 6383296	B1	07-05-2002	US 2002023587 A1	28-02-2002
-----				
EP 1262330	A1	04-12-2002	DE 60213511 T2	20-09-2007
			DE 60221719 T2	10-04-2008
			JP 2003011353 A	15-01-2003
			US 2003030710 A1	13-02-2003
			US 2002180855 A1	05-12-2002
-----				

EPO FORM P0459

For more details about this annex : see Official Journal of the European Patent Office, No. 12/82