

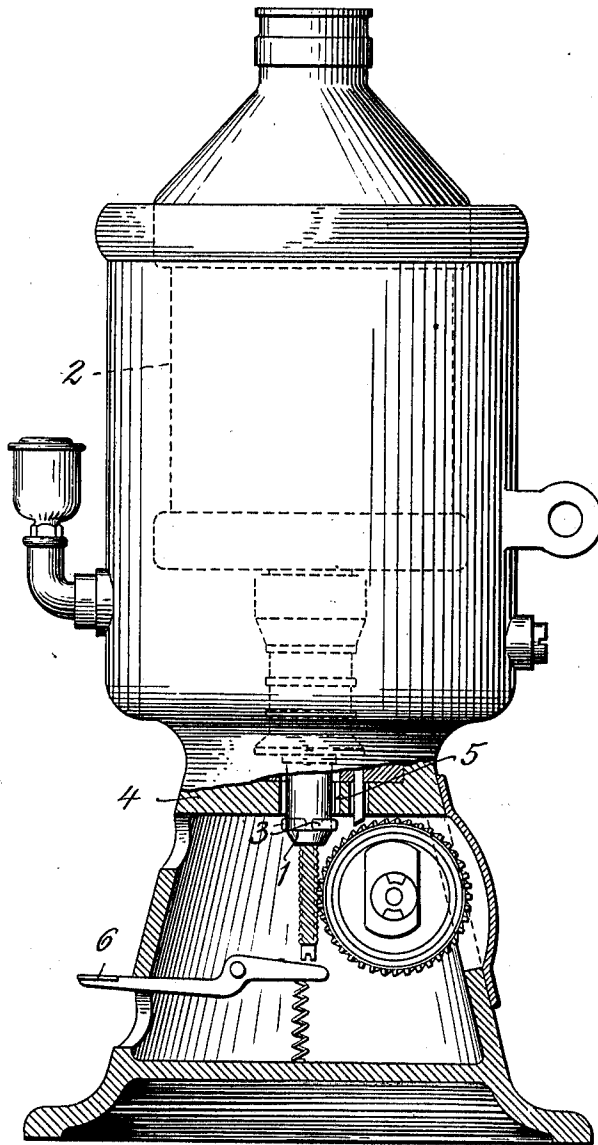
O. OHLSSON.
ARRESTING DEVICE FOR CENTRIFUGAL SEPARATORS.
APPLICATION FILED APR. 26, 1904.

993,790.

Patented May 30, 1911.

2 SHEETS—SHEET 1.

Fig. 1.



Witnesses
John O. Cumpster.
Geo. M. Harris.

Inventor
O. Ohlsson
By *his* Attorneys *Keyser & Keyser.*

O. OHLSSON.
ARRESTING DEVICE FOR CENTRIFUGAL SEPARATORS.
APPLICATION FILED APR. 25, 1904.

993,790.

Patented May 30, 1911.

2 SHEETS—SHEET 2.

Fig. 2.

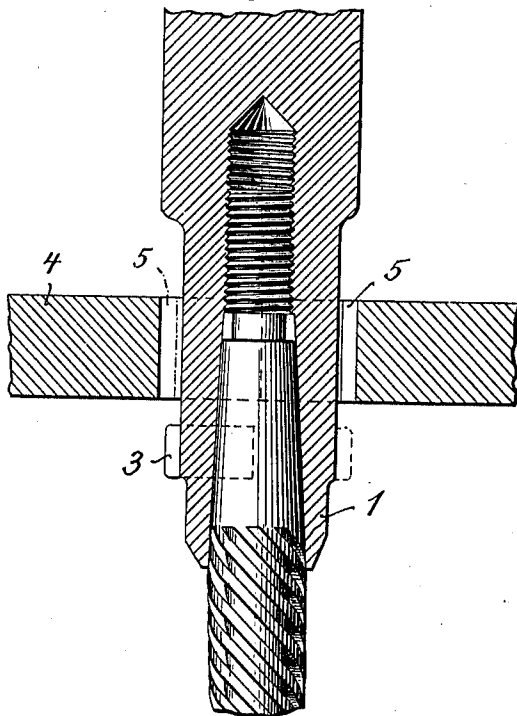
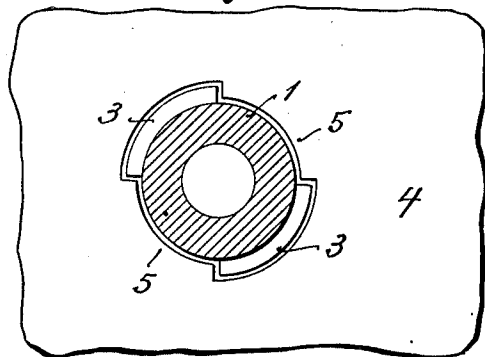


Fig. 3.



Witnesses
John O. Gempfer.
Geo. M. Harris.

Inventor
Olof Ohlsson
By his Attorney Keyson & Keyson.

UNITED STATES PATENT OFFICE.

OLOF OHLSSON, OF SÖDERTELGE, SWEDEN, ASSIGNOR TO GUSTAF OSCAR WALLENBERG, OF STOCKHOLM, SWEDEN.

ARRESTING DEVICE FOR CENTRIFUGAL SEPARATORS.

993,790.

Specification of Letters Patent. Patented May 30, 1911.

Application filed April 25, 1904. Serial No. 204,711.

To all whom it may concern:

Be it known that I, OLOF OHLSSON, a subject of the King of Sweden, and resident of Storgatan 14, Södertelge, in the Kingdom of Sweden, have invented certain new and useful Improvements in Arresting Devices for Centrifugal Liquid-Separators, of which the following is a specification, reference being had therein to the accompanying drawing.

When attending to centrifugal liquid-separators it is often necessary to be able to lock the easily-movable centrifugal bowl, *e. g.* when the cover of the same is to be screwed on or off or some part of the spindle is to be put on or loosened, etc.

This invention relates to an arresting or locking device for such purpose.

The same consists of the devices and combinations of devices as hereinafter described and set forth.

The accompanying drawing, Figure 1, shows a side view of the centrifugal liquid-separator, partially in section. Figs. 2 and 3 show the arresting device itself on a large scale, seen in Fig. 2 in vertical section and in Fig. 3 in horizontal section.

The spindle 1 to the centrifugal bowl is provided with lateral lugs 3 and the sides in the hole in the bottom 4 of the frame, through which the spindle is introduced, with projections 5, between which there is a passage for the lugs 3 when the bowl is being sunk in or taken out of the frame. At the normal elevation of the drum the lugs 3 are situated below the bottom 4, so that the bowl can rotate unhindered. If it be desired to lock the rotatable, but not rotating bowl, it is turned so that the lugs 3 come in alinement with the openings between the projection 5 and the bowl is raised so much by means of the lever 6 entering under the spindle, that the lugs 3 come on a level with the lugs 5. The bowl is then locked. Said lever can suitably be arranged as a treadle. The arrangement can ob-

viously be easily modified. In the construction shown the rotating lugs 3 under the bottom form a hindrance in vertical direction, *i. e.* constituting a safety contrivance in order to prevent the bowl from rising in the frame during rotation. This safety certainly ceases according as the velocity of the bowl diminishes, but the said safety is also obviously superfluous in the same degree.

Having now described my invention, what I claim as new and desire to secure by Letters Patent is:

1. In a centrifugal liquid separator, a vertical rotary spindle having lugs extending laterally therefrom, a bowl secured to said spindle, gearing for rotating said spindle at high speed, a suitable frame for said spindle and gearing, said frame having an opening through which said spindle passes, and provided with lateral recesses for engagement with said lugs, and means for varying the vertical position of said spindle to engage and disengage said lugs and recesses.

2. In a centrifugal liquid separator, a vertical rotary spindle having lugs extending laterally therefrom, a bowl secured to said spindle, high speed gearing for rotating said spindle, a suitable frame for said spindle and gearing having a member fixed in position above said lugs but in close proximity thereto, said frame having an opening through which said spindle passes, and provided with lateral recesses for engagement with said lugs, and means for varying the vertical position of said spindle to engage and disengage said lugs with the recesses in the frame when said spindle is at rest.

In witness whereof, I have hereunto signed my name in the presence of two subscribing witnesses.

OLOF OHLSSON.

Witnesses:

ERNST SVANGVISE,
ROBERT APELGREN.