



(19) **United States**

(12) **Patent Application Publication**
Jao

(10) **Pub. No.: US 2006/0105885 A1**

(43) **Pub. Date: May 18, 2006**

(54) **KEEP-FIT IMITATIVE MOUNTAIN CLIMBING & FOOT MASSAGE MACHINE**

(76) Inventor: **Chen-Chuan Jao**, Taipei (TW)

Correspondence Address:
Chen-Chuan Jao
#505 Ren Ai St., F. 5
San Chung City
Taipei Hsien (TW)

(21) Appl. No.: **10/990,809**

(22) Filed: **Nov. 18, 2004**

Publication Classification

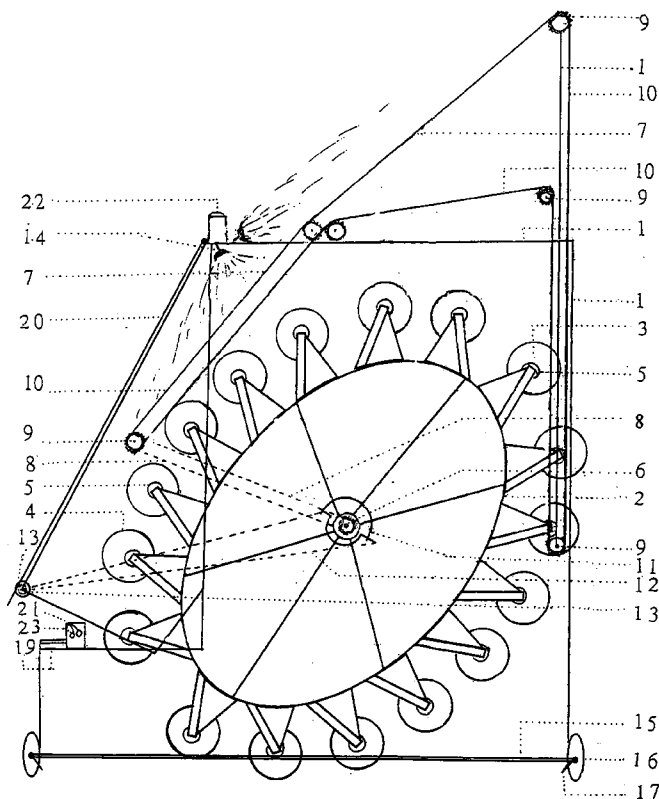
(51) **Int. Cl.**
A63B 7/04 (2006.01)
A63B 9/00 (2006.01)

(52) **U.S. Cl.** **482/37**

(57) **ABSTRACT**

A Keep-Fit Imitative Mountain Climbing & Foot Massage Machine is provided. The Keep-Fit Imitative Mountain Climbing & Foot Massage Machine comprises a round frame with many round stairs, the surfaces of which are many different rough and uneven soft pieces for foot massage purpose around the round frame. The imitative moun-

tain climber, who can use the mountain climbing stick climbs the round stairs step by step, the round frame will be turned according to the man's power by stepping on the round stairs one and another at the axis continuously, at the same time, the mountain climber's foot can be massaged by stepping on the surface of the soft rough and uneven round stairs medically; it also has the banister for safety purpose; the calculator of the steps are both installed with the mountain climbing stick or with the steps; the pictures of mountain sceneries together with its wild sounds of bird's singings and monkey's cries etc. are matched with the steps; the Karaoke set is prepared at side for relaxing by singing songs making the echoes in amount of the mountains; the surfaces of the rough and uneven soft pieces and the climbing steps are adjustable to meet the situation for all different kinds of person; all of those facilities help the imitative mountain climber taking exercises much better than the actual mountain climbing at nature without having to put on boots, to carry heavy mountain climbing necessities, and it's no necessary to have an extra foot massage machine either. The present invention of (Keep-Fit Imitative Mountain Climbing & Foot Massage Machine) can be set up at any place in room, balcony, yard or garden, and enjoy themselves with mountain climbing sport, medical foot massage and relax themselves by singing songs of the hill and the valley echoes or listen to the natural songs of bird's singing or monkey's carries etc. any time they like at home.



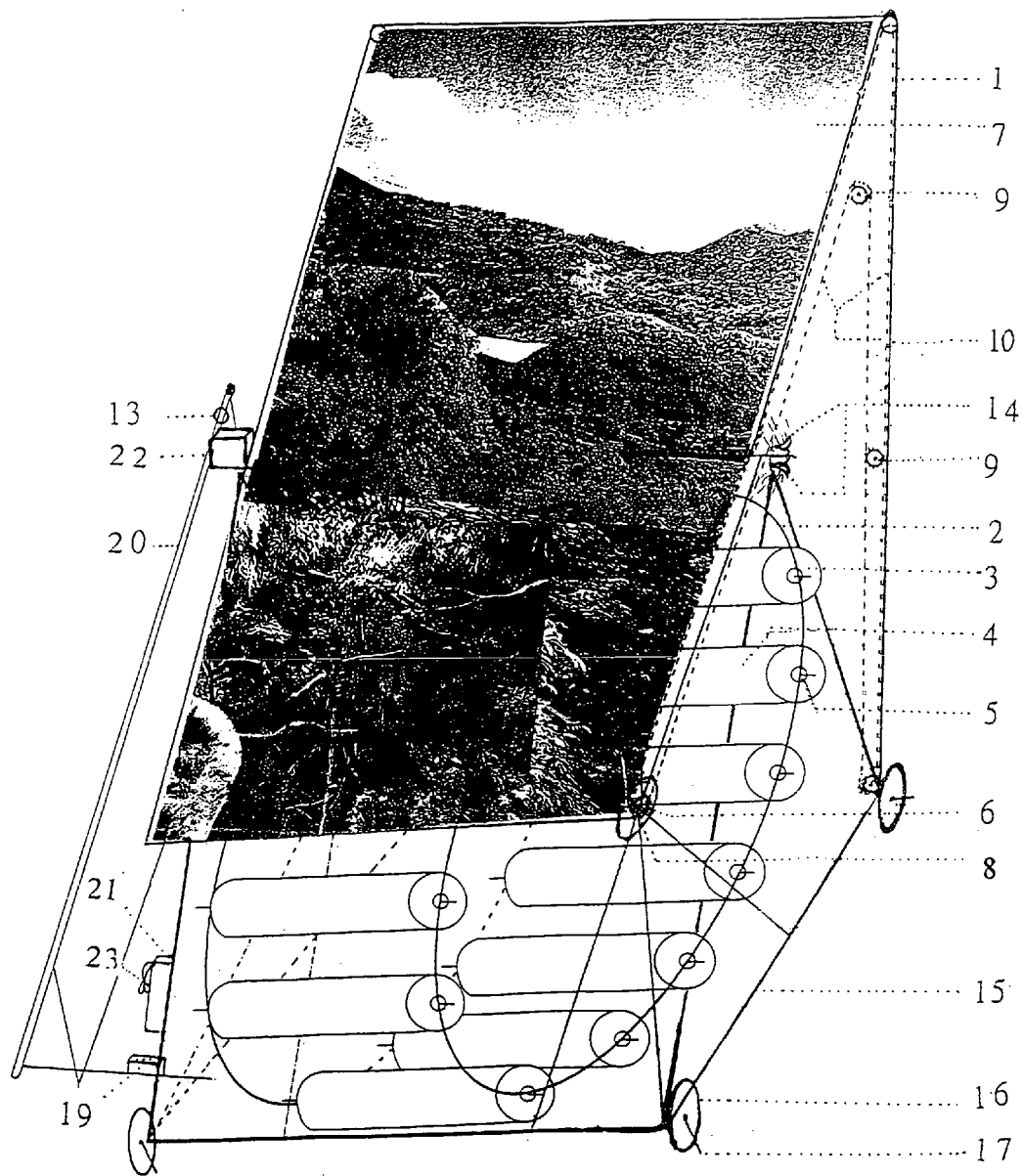


FIG. 1

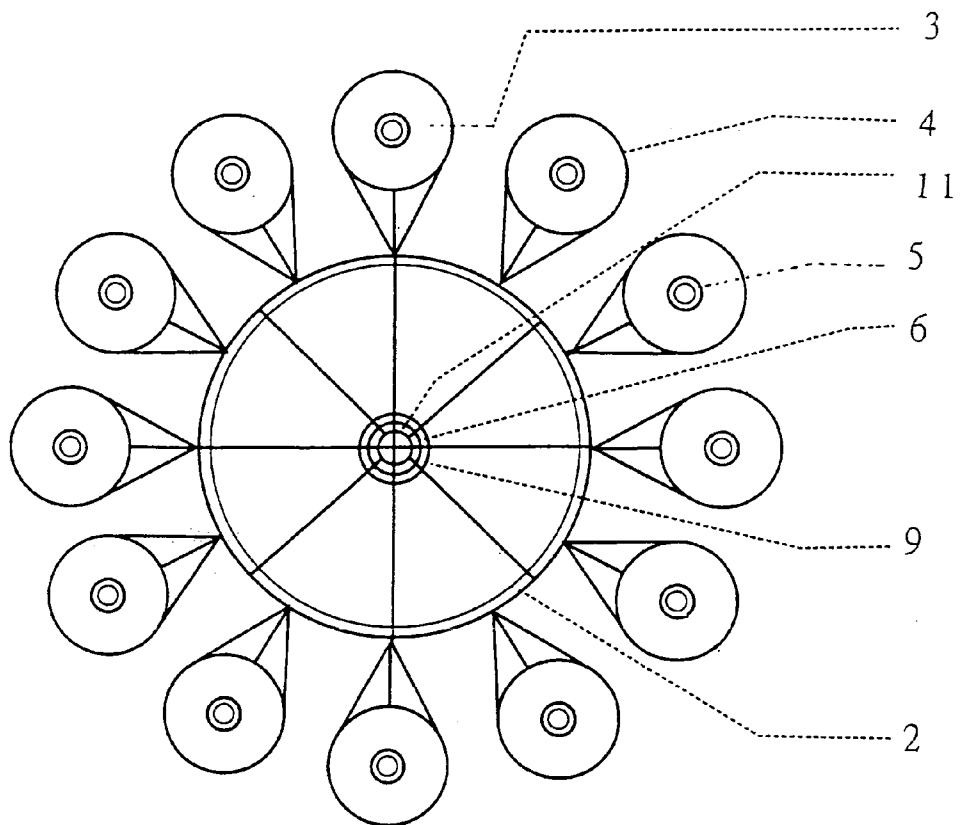


FIG 3

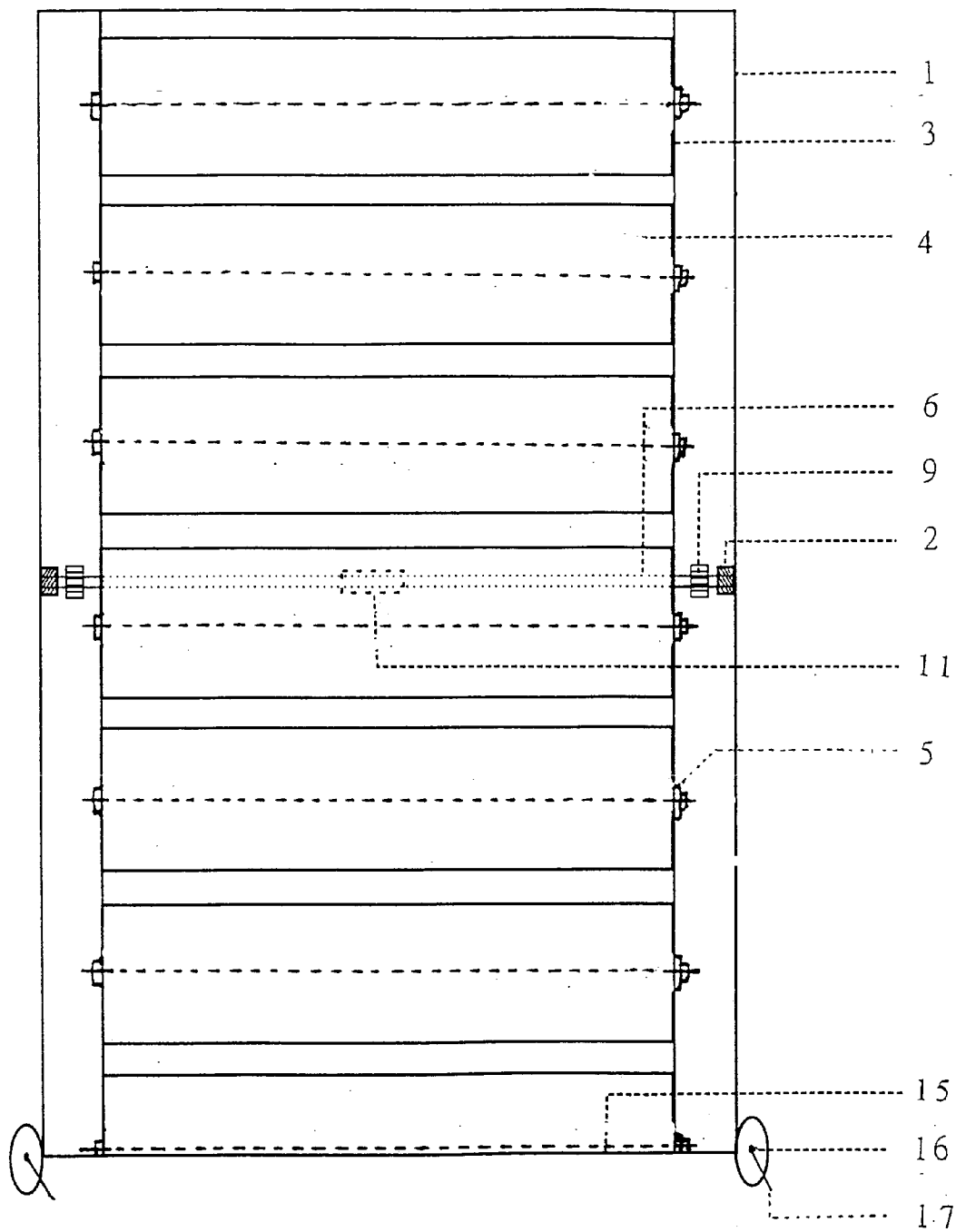


FIG. 4

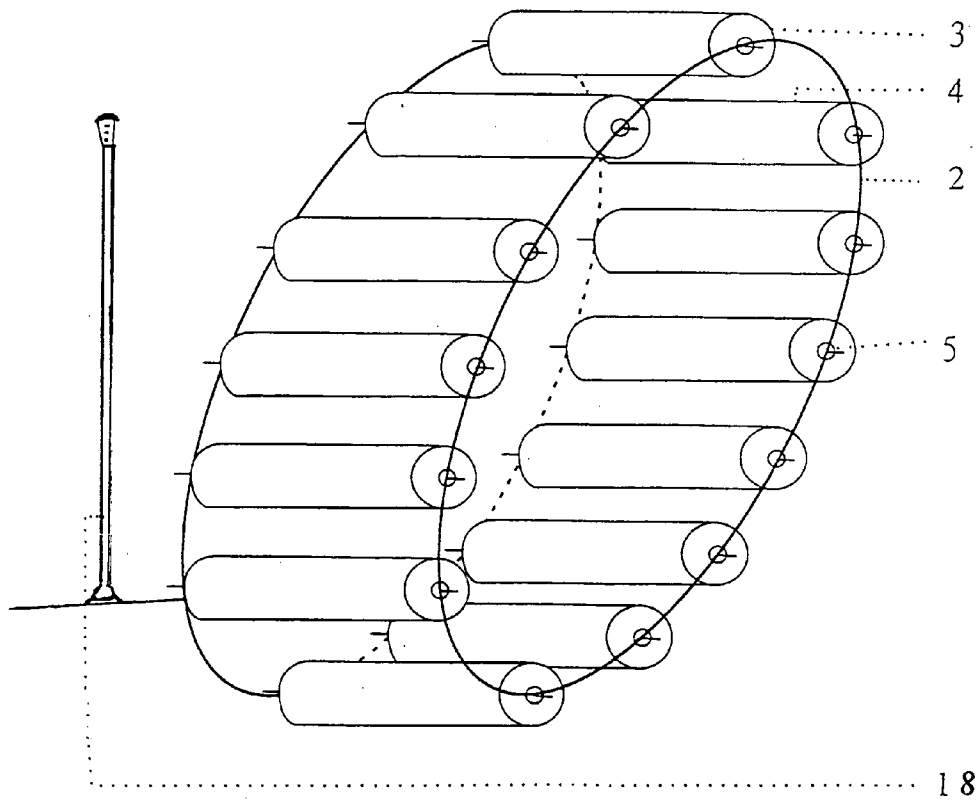


FIG 5

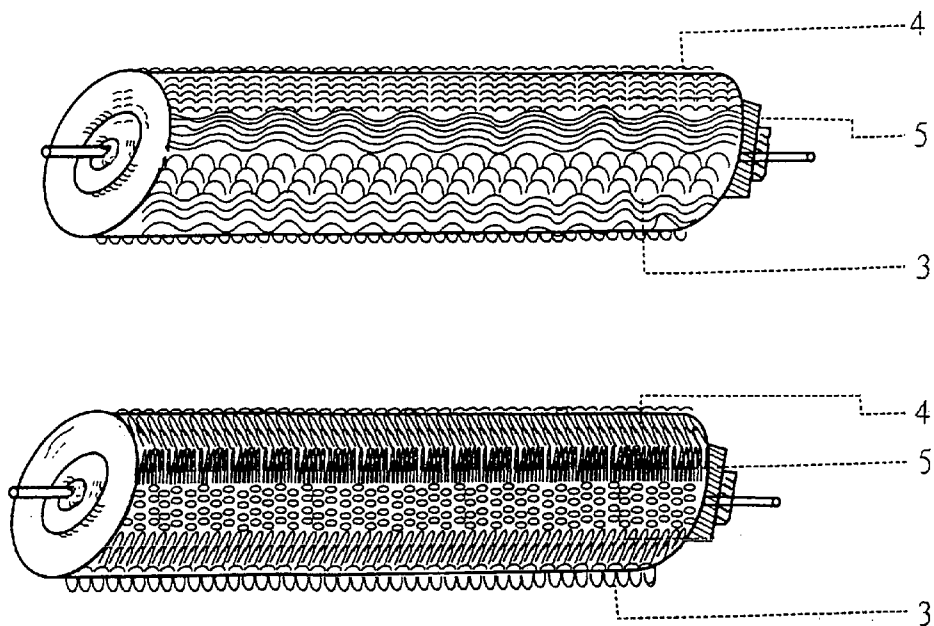


FIG. 6

KEEP-FIT IMITATIVE MOUNTAIN CLIMBING & FOOT MASSAGE MACHINE

THE FIELD OF THE INVENTION

[0001] The present invention of the (Keep-Fit Imitative Mountain Climbing & Foot Massage Machine), which comprises a round frame with many round stairs, the surfaces of which are many different rough and uneven soft pieces for foot message purpose around the round frame. The imitative mountain climber who can use the mountain climbing stick climbs on the round: stairs step by step, the round frame will be turned according to the man's power by stepping on the round stairs one and another at the axis continuously, at the same time, the mountain climber's foot can be massaged by stepping on the surface of the soft rough and uneven round stairs medically.

[0002] The present invention of the (Keep-Fit Imitative Mountain Climbing & Foot Massage Machine) has the banister for safety purpose, the calculator of the steps are both installed with the mountain climbing stick or with the steps; the pictures of mountain sceneries together with those wild sounds of bird's singings and monkey's cries etc. are matched with the steps; at the same time, the Karaoke set is prepared at side for relaxing by singing songs making the echoes in amount of the mountains; the surfaces of the rough and uneven soft pieces and the climbing steps are adjustable to meet the situation for all different kinds of person; all of those facilities help the imitative mountain climber taking exercises much better than the actual mountain climbing at nature, and treating medical foot massage without extra equipments.

Description of related art

[0003] Mountain climbing and foot massage are very interested and healthful to all of our human beings; him or her, young or old, no matter what whom is. For taking part to join the mountain climbing exercise or foot massage medically, it's not only takes time, money and a lot of trouble things to be prepared with, but also it's really hard for those mountain climbing or foot massage fans, who can enjoy both of it at the same time; even through, the sporting machines, such as the running machines and the foot massage equipments etc. are popular in the markets, but it still can't save time and money by combining them together so as to get the same effects healthily; how to satisfy the fans both the mountain climbers and the foot massagers to enjoy the sport of mountain climbing, medical foot massage, and relax themselves at the same time by one machine? it will be an issue to be solved.

SUMMARY OF THE INVENTION

[0004] In view of the foregoing, the present inventor, who actually joined in the mountain climbing groups for a long time, and spent years careful studies to the foot massage machines, he found the way to take exercise almost same as climbing mountain at nature by Imitative Mountain Climbing Machine, and the machine of which has the function of foot massage either; it also can make entertainments together with sports and foot massage by one machine at the same time, the idea of the present invention comes out.

[0005] According to an aspect of the present invention, the (Keep-Fit Imitative Mountain Climbing & Foot Massage

Machine) comprises a round frame with many round stairs, the surfaces of which are many different rough and uneven soft pieces for foot message purpose around the round frame. The imitative mountain climber, who can use the mountain climbing stick climbs the round stairs step by step, the round frame will be turned according to the man's power by stepping on the round stairs one and another at the axis continuously, at the same time, the mountain climber's foot can be massaged by stepping on the surface of the soft rough and uneven round stairs medically;

[0006] it also has the banister for safety purpose;

[0007] the calculator of the steps are both installed with the mountain climbing stick or with the steps;

[0008] the pictures of mountain sceneries together with its wild sounds of bird's singings and monkey's cries etc. are matched with the steps, it's also the way to know their physical condition and improvement, which points at the pictures where they can climb at;

[0009] the Karaoke set is prepared at side for relaxing by singing songs making the echoes in amount of the mountains;

[0010] the surfaces of the rough and uneven soft pieces and the climbing steps are adjustable to meet the situation for all different kinds of person;

[0011] all of those facilities help the imitative mountain climbers taking exercises much better than the actual mountain climbing at nature without having to put on boots, and to carry heavy mountain climbing necessities, and they treat their foot massage medically by one machine at the same time wonderfully.

[0012] the present invention of (Keep-Fit Imitative Mountain Climbing & Foot Massage Machine) can be set up at any place in room, balcony, yard or garden, and enjoy themselves with mountain climbing sport, medical foot massage and relax themselves by singing songs of the hill and the valley echoes or listening the natural songs of bird's singing or monkey's carries etc. any time they like at home.

BRIEF DESCRIPTION OF THE DRAWINGS

[0013] For understanding more clearly to the present invention, the brief description of the drawings are as followings:

[0014] **FIG. 1** is a stereoscopic view of the (Keep-Fit Imitative Mountain Climbing & Foot Massage Machine) according to an embodiment of the present invention.

[0015] **FIG. 2** is side view of the (Keep-Fit Imitative Mountain Climbing & Foot Massage Machine) according to an embodiment of the present invention.

[0016] **FIG. 3** is side view of the round stairs according to an embodiment of the present invention.

[0017] **FIG. 4** is the analytical view of the round stairs according to an embodiment of the present invention.

[0018] **FIG. 5** is the sketch map of the round stairs around the frame and the stick with the step calculator according to an embodiment of the present invention.

[0019] **FIG. 6** is the magnified view of the round stairs with many different rough and uneven soft pieces for foot

message purpose sticking on its surface according to an embodiment of the present invention.

SYMBOLS OF THE DRAWINGS

[0020] Refer to **FIG. 1** to **6**, the description of the symbols are given below for more understanding the drawings.

[0021] Symbol **1** is the fixed frame of the present invention.

[0022] Symbol **2** is the turning frame of the present invention.

[0023] Symbol **3** is the round stair of the present invention.

[0024] Symbol **4** is the surface of the round stair with many different rough and uneven soft pieces for foot message purpose of the present invention.

[0025] Symbol **5** is the adjustor of the surface of the round stair of the present invention.

[0026] Symbol **6** is the axis of the turning frame of the present invention.

[0027] Symbol **7** is the pictures of mountain sceneries together with those wild sounds of bird's singings and monkey's cries are matched with the steps at the same axis of the turning frame of the present invention.

[0028] Symbol **8** is the connect bar of the pictures of mountain sceneries together with those sounds of bird's singings and monkey's cries to be matched with the steps at the same axis of the turning frame of the present invention.

[0029] Symbol **9** is the turning gear of the pictures of mountain sceneries together with those sounds of bird's singings of the present invention.

[0030] Symbol **10** is the chain for turning the gear of the pictures of mountain sceneries together with those sounds of bird's singings of the present invention.

[0031] Symbol **11** is the adjustor of speed of the steps of the present invention.

[0032] Symbol **12** is the connect bar with the adjustor of step's speed of the present invention.

[0033] Symbol **13** is the adjustor of step's speed of the present invention.

[0034] Symbol **14** is the lighting installation for the pictures of mountain sceneries of the present invention.

[0035] Symbol **15** is the bottom frame of the present invention.

[0036] Symbol **16** is the wheel of the present invention.

[0037] Symbol **17** is the fixer of the wheel of the present invention.

[0038] Symbol **18** is the sticker with calculator of the present invention.

[0039] Symbol **19** is the calculator with the steps of the present invention.

[0040] Symbol **20** is the banister for safety purpose of the present invention.

[0041] Symbol **21** is the tape recorder of the present invention.

[0042] Symbol **22** is the small screen of Karaoke set of the present invention.

[0043] Symbol **23** is the earphone of the present invention.

DETAILED DESCRIPTION OF EMBODIMENTS

[0044] For achieving the aforementioned objectives and effects, the technical means and structures adapted by the present invention are detailed described the characters and functions for the preferred embodiments of the present invention and with accompanying drawings as followings:

[0045] Refer to **FIG. 1** to **6**, the present invention of the (Keep-Fit Imitative Mountain Climbing & Foot Massage Machine) comprises a stereoscopic view of the present invention; a side view of the present invention; a side view of the round stairs of the present invention; an analytical view of the round stairs of the present invention; a sketch map of the round stairs around the frame and the stick with the step calculator of the present invention; a magnified view of the round stairs with many different rough and uneven soft pieces for foot message purpose around its surface of the present invention.

[0046] According to **FIG. 1** to **6**, please find those drawings stated above, which comprises the fixed frame **1**, and a axis **6** of the turning frame **2**, which has many round stairs **3** around is set up at the appropriate position the fixed frame **1**; the round stairs **3** has many different rough and uneven soft pieces on its surface **4** for foot message purpose; then, the imitative mountain climber, who steps his or her foot on the surface **4** of the round stairs **3** makes the turning frame **2** turned step by step continuously at the axis **6**; the speed of the turning frame **2**, and the surface **4** of the foot steps **3** can be adjusted by speed control **11** and the adjustor **5** of the surface **4** so as to meet all different kinds situation of people; at the same axis **6**, which connected by a bar **8** with a role type pictures **7** of mountain sceneries, which are turned by gear **9** and the chain **10**; the tape record **21** of the wild sounds of bird's singings and monkey's cries etc. are matched with the steps at the same axis **6** of the turning frame **2**; a small screen Karaoke set **22** and a earphone **23** is prepared at side for relaxing themselves by singing songs echoing in amount of the mountains making them taking the exercise of mountain climbing course and the foot massage treatment with pleasure without being aware of it; the lighting installation **14** for the pictures **7**; the sticker with calculator **18** and the banister **20** for safety are completed the full set of the present invention.

[0047] The present invention of (Keep-Fit Imitative Mountain Climbing & Foot Massage Machine) is described in the conjunction with a specific best mode, it's to be understood that many alternative modifications, and variations will be appeared to those skilled in the art in light of the foregoing description. Accordingly, it's intended to embrace all the alternative modifications and variations, in which fall within the spirit and scope of the included claims. All matters set forth herein or shown in the accompanying drawings are to be interpreted in an illustrative and non-limiting sense.

What the invention claimed is:

1. One kind of Keep-Fit Imitative Mountain Climbing Machine, which has many stairs installing around the circle round shape frame, the frame of which be turned by stepping

on the stairs with foot for taking exercise as imitative mountain climbing and, at the same time, the foot massage be treated medically as well when the foot stepping and pressing the uneven surface of these stairs; the speed of the stairs can be adjusted by controlling the turning speed systems at the axle of the frame; the surface of the stairs can be selected by turning its axle with hand to meet the different constitutions for all kind of person; one roller for a scroll of mountain scenery is droved by the axle of the frame with gears to keep the mountain sceneries matching the steps of the imitative mountain climber and, the scroll of the mountain scenery is connected with extension belts at both side so as to prolong the mountain sceneries as tong as possible.

2. The Keep-Fit Imitative Mountain Climbing Machine of claim 1, wherein the circle round shape of the frame is turned by the force from foot and the weight of the body.

3. The Keep-Fit Imitative Mountain Climbing Machine of claim 1, wherein the speed of the stairs can be adjusted by controlling the turning speed system, which is using the

brake at its axle with an extension bar connecting to the handle.

4. The Keep-Fit Imitative Mountain Climbing Machine of claim 1, wherein the surface of these stairs covering so many different rough and uneven soft materials, which are used for medical foot massage purpose during the imitative mountain climber is stepping on.

5. The Keep-Fit Imitative Mountain Climbing Machine of claim 1, wherein those surface of stairs can be selected by turning the stair's axle with hand.

6. The Keep-Fit Imitative Mountain Climbing Machine of claim 1, wherein the length of stairs can be made especially longer, widens the frame to support with, it can be used for more than one person to take excise and foot massage at the same time.

7. The Keep-Fit Imitative Mountain Climbing Machine of claim 1, wherein the frame together the stairs and its accessories can be assembled.

* * * * *