

REVISED VERSION

(19) World Intellectual Property Organization
International Bureau



(43) International Publication Date
9 July 2009 (09.07.2009)

PCT

(10) International Publication Number
WO 2009/085622 A9

- (51) International Patent Classification:
H04N 5/91 (2006.01)
- (21) International Application Number:
PCT/US2008/086322
- (22) International Filing Date:
11 December 2008 (11.12.2008)
- (25) Filing Language: English
- (26) Publication Language: English
- (30) Priority Data:
11/960,414 19 December 2007 (19.12.2007) US
- (71) Applicant (for all designated States except US): GENERAL INSTRUMENT CORPORATION [US/US];
101 Tournament Drive, Horsham, PA 19044 (US).

- (72) Inventor; and
- (75) Inventor/Applicant (for US only): SPARRELL, Carlton, J. [US/US]; 1 Bradlee Road, Marblehead, MA 01945 (US).
- (74) Agents: WIENER, Stewart, M. et al.; 1303 East Algonquin Road, Schaumburg, IL 60196 (US).
- (81) Designated States (unless otherwise indicated, for every kind of national protection available): AE, AG, AL, AM, AO, AT, AU, AZ, BA, BB, BG, BH, BR, BW, BY, BZ, CA, CH, CN, CO, CR, CU, CZ, DE, DK, DM, DO, DZ, EC, EE, EG, ES, FI, GB, GD, GE, GH, GM, GT, HN, HR, HU, ID, IL, IN, IS, JP, KE, KG, KM, KN, KP, KR, KZ, LA, LC, LK, LR, LS, LT, LU, LY, MA, MD, ME, MG, MK, MN, MW, MX, MY, MZ, NA, NG, NI, NO, NZ, OM, PG, PH, PL, PT, RO, RS, RU, SC, SD, SE, SG, SK, SL, SM, ST, SV, SY, TJ, TM, TN, TR, TT, TZ, UA, UG, US, UZ, VC, VN, ZA, ZM, ZW.

[Continued on next page]

(54) Title: METHOD AND APPARATUS FOR SCHEDULING A RECORDING OF AN UPCOMING SDV PROGRAM DELIVERABLE OVER A CONTENT DELIVERY SYSTEM

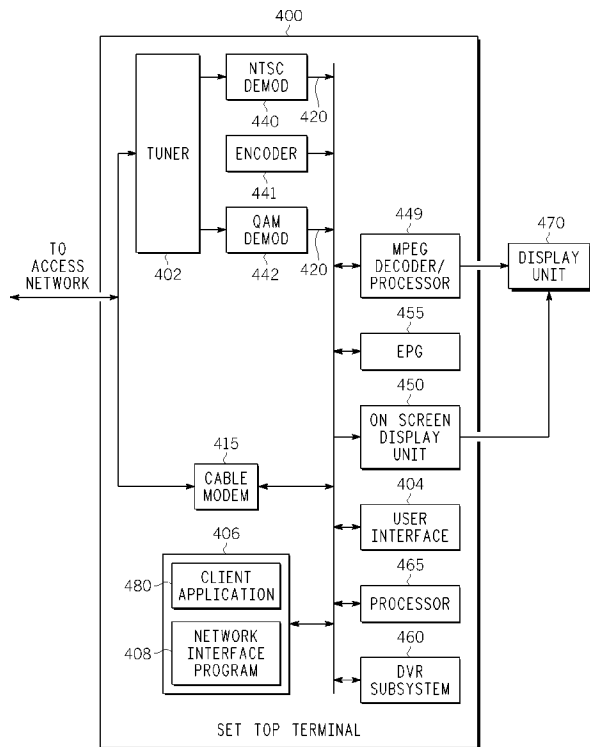


FIG. 4

(57) Abstract: A set top terminal includes a tuner for receiving SDV programs over a content delivery system, an SDV module for coordinating SDV sessions in cooperation with an SDV manager associated with the content delivery system, and a DVR module for coordinating storage and playback of SDV programs received over the content delivery system. The SDV module is configured to transmit a message over the content delivery system substantially in advance of a time at which an upcoming SDV program is scheduled to be recorded by the DVR module. The message specifies when the upcoming SDV program has been scheduled for recording. A processor operationally associated with the tuner, the SDV module and the DVR module.

WO 2009/085622 A9

(84) Designated States (*unless otherwise indicated, for every kind of regional protection available*): ARIPO (BW, GH, GM, KE, LS, MW, MZ, NA, SD, SL, SZ, TZ, UG, ZM, ZW), Eurasian (AM, AZ, BY, KG, KZ, MD, RU, TJ, TM), European (AT, BE, BG, CH, CY, CZ, DE, DK, EE, ES, FI, FR, GB, GR, HR, HU, IE, IS, IT, LT, LU, LV, MC, MT, NL, NO, PL, PT, RO, SE, SI, SK, TR), OAPI (BF, BJ, CF, CG, CI, CM, GA, GN, GQ, GW, ML, MR, NE, SN, TD, TG).

Published:

— *with international search report (Art. 21(3))*

(88) Date of publication of the revised international search report:

30 December 2009

(15) Information about Correction:
see Notice of 30 December 2009

INTERNATIONAL SEARCH REPORT

International application No.
PCT/US 08/86322

A. CLASSIFICATION OF SUBJECT MATTER

IPC(8) - H04N 5/91 (2009.01)

USPC - .386/83

According to International Patent Classification (IPC) or to both national classification and IPC

B. FIELDS SEARCHED

Minimum documentation searched (classification system followed by classification symbols)

IPC(8) - H04N 5/91 (2009.01)

USPC - 386/83

Documentation searched other than minimum documentation to the extent that such documents are included in the fields searched

USPC - 386/46, 83; 725/86, 94 (text search)

Electronic data base consulted during the international search (name of data base and, where practicable, search terms used)

PubWest (PGPB, USPT, EPAB, JPAB), freepatentsonline.com, Google, Search terms used: record, Sparrell, switched, digital, video, sdv, allocat, reallocat, reassign, resource, bandwidth, content, delivery, system, schedul, television, program, channel, load, balanc

C. DOCUMENTS CONSIDERED TO BE RELEVANT

Category*	Citation of document, with indication, where appropriate, of the relevant passages	Relevant to claim No.
X --- Y	US 2007/0186259 A1 (Pedlow et al.) 09 August 2007 (09.08.2007), para [0018], [0029]-[0053][0066]-[0071]	1-5, 7-20 ----- 6
Y	US 2005/0276284 A1 (Krause et al.) 15 December 2005 (15.12.2005), para [0013]-[0022], [0126]	6
A	US 2005/0108776 (Carver et al.) A1 19 May 2005 (19.05.2005), entire document	6

Further documents are listed in the continuation of Box C.

* Special categories of cited documents:

"A" document defining the general state of the art which is not considered to be of particular relevance

"E" earlier application or patent but published on or after the international filing date

"L" document which may throw doubts on priority claim(s) or which is cited to establish the publication date of another citation or other special reason (as specified)

"O" document referring to an oral disclosure, use, exhibition or other means

"P" document published prior to the international filing date but later than the priority date claimed

"T" later document published after the international filing date or priority date and not in conflict with the application but cited to understand the principle or theory underlying the invention

"X" document of particular relevance; the claimed invention cannot be considered novel or cannot be considered to involve an inventive step when the document is taken alone

"Y" document of particular relevance; the claimed invention cannot be considered to involve an inventive step when the document is combined with one or more other such documents, such combination being obvious to a person skilled in the art

"&" document member of the same patent family

Date of the actual completion of the international search

16 January 2009 (16.01.2009)

Date of mailing of the international search report

12 FEB 2009

Name and mailing address of the ISA/US

Mail Stop PCT, Attn: ISA/US, Commissioner for Patents
P.O. Box 1450, Alexandria, Virginia 22313-1450

Facsimile No. 571-273-3201

Authorized officer

Lee W. Young

PCT Helpdesk: 571-272-4300
PCT OSP: 571-272-7774