

G. W. CONGDON.
 IRONING BOARD.
 APPLICATION FILED AUG. 2, 1916.

1,206,675.

Patented Nov. 28, 1916.

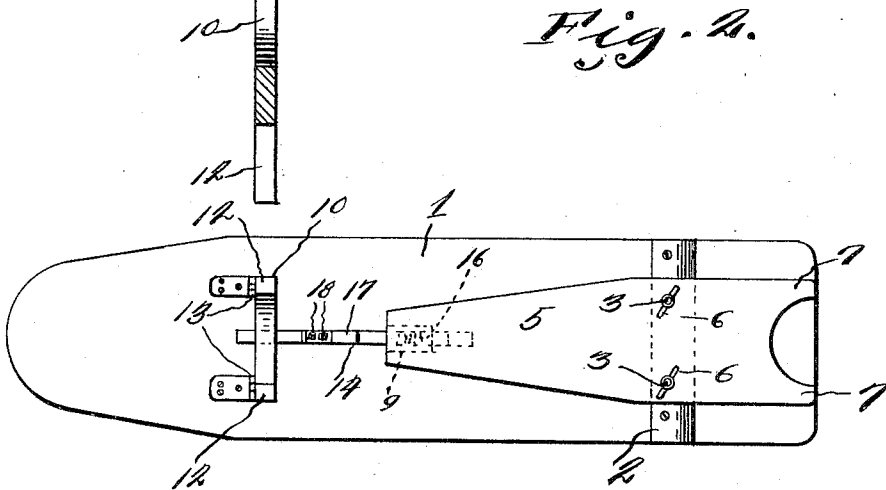
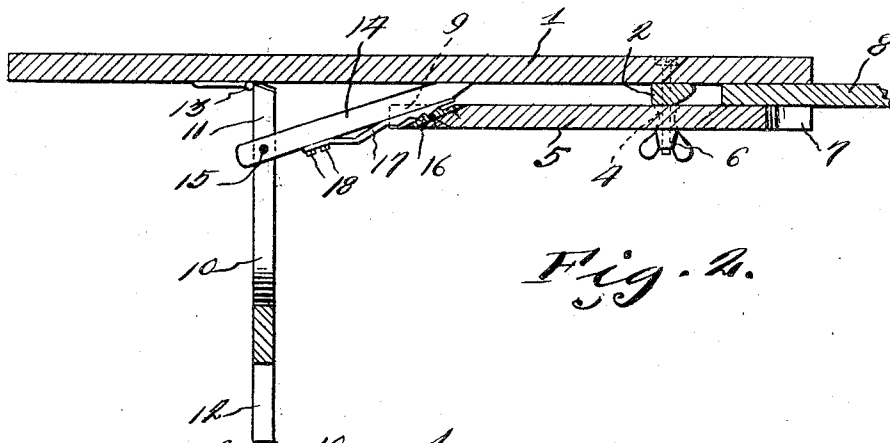
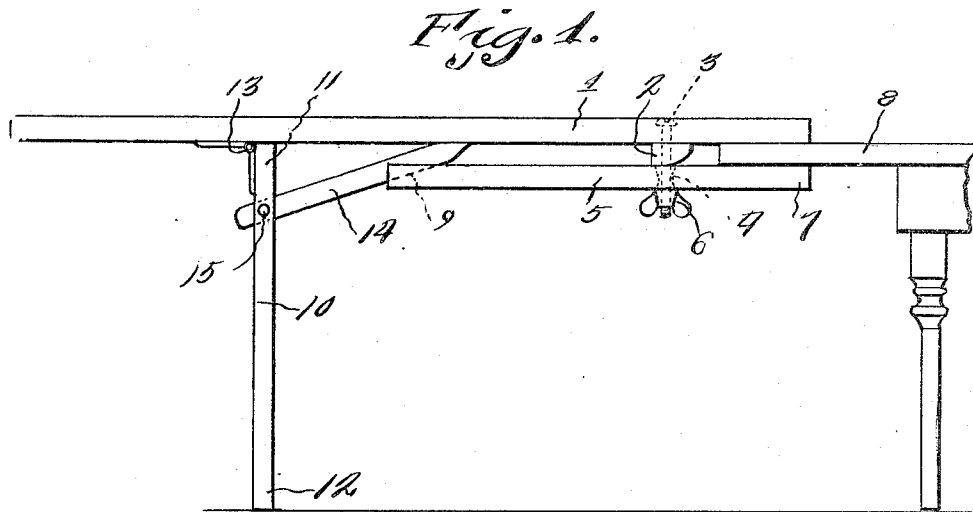


Fig. 3.

Witnesses
 Philip [Signature]
 James D. [Signature]

Inventor
 G. W. Congdon
 By [Signature]
 1175 Attorneys

UNITED STATES PATENT OFFICE.

GEORGE W. CONGDON, OF MARION, NORTH DAKOTA, ASSIGNOR OF FIFTY ONE-HUNDREDTHS TO GUSTA TUCKER, OF MARION, NORTH DAKOTA.

IRONING-BOARD.

1,206,675.

Specification of Letters Patent.

Patented Nov. 28, 1916.

Application filed August 2, 1916. Serial No. 112,821.

To all whom it may concern:

Be it known that I, GEORGE W. CONGDON, a citizen of the United States, residing at Marion, in the county of Lamoure, State of North Dakota, have invented a new and useful Ironing-Board; and I do hereby declare the following to be a full, clear, and exact description of the invention, such as will enable others skilled in the art to which it appertains to make and use the same.

This invention relates to an improved ironing board, and one of the objects of the invention is to provide a device of this kind having improved means for clamping the board to one end of a table.

A further object of the invention is the provision of an ironing board having a clamp, between which and one end of the board, one end of a table may be clamped, in combination with a member pivotally carried by a pivoted leg of the board, adapted to be wedged between one end of the clamp and the board, to force the clamp into clamping engagement with said table.

One of the features of the invention is the provision of means for adjusting the clamp in its looseness of play, so as to permit table tops of different thicknesses to fit between the clamp and the board.

A further feature of the invention is to provide means on the wedge member of the pivoted leg of the board to prevent movement of the leg toward the free end of the ironing board, that is, after the board has been once adjusted into clamping engagement with the table top.

In practical fields, the details of construction may necessitate alterations falling within the scope of what is claimed.

The invention comprises further features and combination of parts, as hereinafter set forth, shown in the drawings, and claimed.

In the drawings: Figure 1 is a view in side elevation of the improved ironing board constructed in accordance with the invention. Fig. 2 is a sectional view through the ironing board showing a modified wedge carried by the pivoted leg of the table. Fig. 3 is a bottom plan view of the structure shown in Fig. 2.

Referring more especially to the drawings, 1 designates an ironing board, and 2 a cleat, which is fastened on the under surface of the board near one end thereof by means of the bolts 3, which also pass loosely

through the apertures 4 of the clamp 5, there being winged nuts 6 on said bolts, whereby the clamp may be adjusted in its looseness of play. One end of the clamp 5 is provided with forks 7, between which and the ironing board one end of a table top 8 may be clamped. The other end of the clamp 5 on its upper surface is provided with an inclined channel 9. The ironing board is provided with a supporting leg 10 having upper and lower forks 11 and 12. The lower forks constitute feet, while the upper forks are pivotally connected to the under face of the ironing board by the hinges 13, so that the upper extremities of the forks 11 will contact with the under face of the ironing board, thereby limiting the leg 10 to its vertical position. A wedge 14 is pivoted between the forks 11 upon a pin 15, in such a manner that when the leg 10 is being disposed in a position to support the ironing board, the wedge 14 engages the channel 9 and its extremity engages the under face of the ironing board, thereby wedging between the clamp 5 and the board, and forcing one end of the clamp into clamping engagement with the table top, that is when the leg 10 reaches the position shown in Figs. 1 and 2. In Figs. 2 and 3, channel 9 is provided with a ratchet toothed plate 16, over the teeth of which the teeth of the spring plate 17 (which is secured by means of screws or the like 18 to the wedge) ratchet, and the teeth finally so engage, when the leg 10 reaches the position desired, as to force one end of the clamp downwardly, and the other end upwardly into clamping engagement with the table. By means of the spring plate a yieldable connection is afforded between the wedge and the clamp, thereby insuring a yieldable downward pressure on one end of said clamp.

The invention having been set forth, what is claimed as new and useful is:—

1. In a support for an ironing board, the combination of an ironing board and a clamp loosely mounted on its under face, of a supporting leg hingedly connected to the under face of the ironing board, and a wedge pivoted to the supporting leg and adapted to wedge between one end of the clamp and the board to force the other end of the clamp into clamping engagement with the table top, when the supporting leg

60

65

70

75

80

85

90

95

100

105

110

is swung or moved in the direction of the table.

2. In a support for an ironing board, the combination of an ironing board and a clamp loosely mounted on its under face, of a supporting leg hingedly connected to the under face of the ironing board, and a wedge pivoted to the supporting leg and adapted to wedge between one end of the clamp and the board to force the other end of the clamp into clamping engagement with the table top, when the supporting leg is swung or moved in the direction of the table, the upper end of the supporting leg being rectangular to engage the under face of the board to limit the leg in its movement toward the table, and means for adjusting the clamp in its looseness of play.

3. In a support for an ironing board, the combination of an ironing board and a clamp loosely mounted on its under face, of a supporting leg hingedly connected to the under face of the ironing board, and a wedge pivoted to the supporting leg and

adapted to wedge between one end of the clamp and the board to force the other end of the clamp into clamping engagement with the table top, when the supporting leg is swung or moved in the direction of the table, the upper end of the supporting leg being rectangular to engage the under face of the board to limit the leg in its movement toward the table, and means for adjusting the clamp in its looseness of play, one end of the clamp on its upper face having a channel provided with a ratchet toothed plate and a spring plate carried by the wedge and provided with teeth to cooperate with the teeth of the plate in said channel, to prevent movement of the leg after having been adjusted to the position desired.

In testimony whereof I have signed my name to this specification in the presence of two subscribing witnesses.

GEORGE W. CONGDON.

Witnesses:

SAMUEL TUCKER,
ELMER BAERTSCH.

Copies of this patent may be obtained for five cents each, by addressing the "Commissioner of Patents, Washington, D. C."