



US012036687B2

(12) **United States Patent**
Halucha

(10) **Patent No.:** **US 12,036,687 B2**

(45) **Date of Patent:** **Jul. 16, 2024**

(54) **LOCKABLE TOOL WITH SLIDING SCALE RELEASE**

(71) Applicant: **Walter Halucha**, Montauk, NY (US)

(72) Inventor: **Walter Halucha**, Montauk, NY (US)

(73) Assignee: **Latama LLC**, Montauk, NY (US)

(*) Notice: Subject to any disclaimer, the term of this patent is extended or adjusted under 35 U.S.C. 154(b) by 405 days.

(21) Appl. No.: **17/572,711**

(22) Filed: **Jan. 11, 2022**

(65) **Prior Publication Data**
US 2022/0126465 A1 Apr. 28, 2022

Related U.S. Application Data

(63) Continuation-in-part of application No. 16/689,620, filed on Nov. 20, 2019, now Pat. No. 11,254,021, which is a continuation-in-part of application No. 15/792,204, filed on Oct. 24, 2017, now Pat. No. 10,569,432.

(60) Provisional application No. 62/436,570, filed on Dec. 20, 2016.

(51) **Int. Cl.**
B26B 5/00 (2006.01)
A45D 24/08 (2006.01)
B24B 3/54 (2006.01)
B67B 7/04 (2006.01)
B25B 15/00 (2006.01)
B25B 23/16 (2006.01)

(52) **U.S. Cl.**
CPC **B26B 5/00** (2013.01); **A45D 24/08** (2013.01); **B24B 3/54** (2013.01); **B67B 7/04** (2013.01); **B25B 15/00** (2013.01); **B25B 23/16** (2013.01)

(58) **Field of Classification Search**

CPC .. B26B 5/00; A45D 24/08; B24B 3/54; B67B 7/04; B25B 15/00; B25B 23/16
See application file for complete search history.

(56) **References Cited**

U.S. PATENT DOCUMENTS

3,079,686	A	3/1963	Christy	
4,389,776	A	6/1983	Okada	
5,111,581	A	5/1992	Collins	
5,325,588	A	7/1994	Rogers	
5,425,175	A	6/1995	Rogers	
5,475,925	A *	12/1995	Newman B26B 5/001
				30/162
5,735,051	A *	4/1998	Berns B26B 5/005
				30/329
5,878,500	A	3/1999	Emerson	
5,915,792	A	6/1999	Sakurai	
5,964,035	A	10/1999	Poehlmann	
6,122,829	A	9/2000	McHenry et al.	
6,427,335	B1	8/2002	Ralph	
6,438,848	B1	8/2002	McHenry et al.	

(Continued)

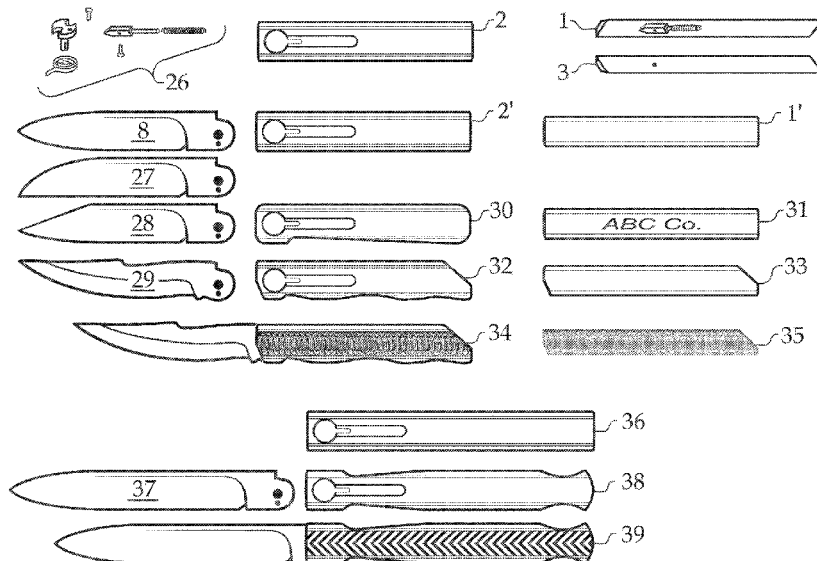
Primary Examiner — Omar Flores Sanchez

(74) *Attorney, Agent, or Firm* — Dilworth & Barrese, LLP

(57) **ABSTRACT**

A lockable tool with a sliding scale release is formed with a frame and a tool coupled to the frame with a locking mechanism to lock the tool into an extended or retracted configuration. A release mechanism is attached a scale on the side of the frame. The scale is coupled to the frame. The tool is constructed such that sliding the scale along a longitudinal axis of the frame automatically unlocks the tool from the extended or retracted configurations. The tool can open and/or close automatically. The tool, such as a knife, can swing open or extend out a front opening in the frame.

20 Claims, 11 Drawing Sheets



(56)

References Cited

U.S. PATENT DOCUMENTS

6,826,836	B1	12/2004	Lin
7,036,174	B2	5/2006	Painsith
7,107,686	B2	9/2006	Linn
7,249,417	B2	7/2007	Chu
7,562,454	B2	7/2009	Steigerwalt et al.
7,562,455	B2	7/2009	McHenry et al.
7,748,122	B2	7/2010	Duey
7,854,067	B2	12/2010	Lake
8,281,437	B2	10/2012	Lake
8,375,590	B2	2/2013	Duey
8,499,460	B1	8/2013	Pearman
8,549,754	B2	10/2013	Bung
9,227,330	B2	1/2016	Felows
9,346,176	B2	5/2016	Collins
9,505,141	B2	11/2016	Duey
9,527,218	B2	12/2016	Valdez
9,579,807	B2	2/2017	Chu
9,764,485	B1	9/2017	Hawk
2011/0099817	A1	5/2011	Duey
2014/0115898	A1	5/2014	Collins

* cited by examiner

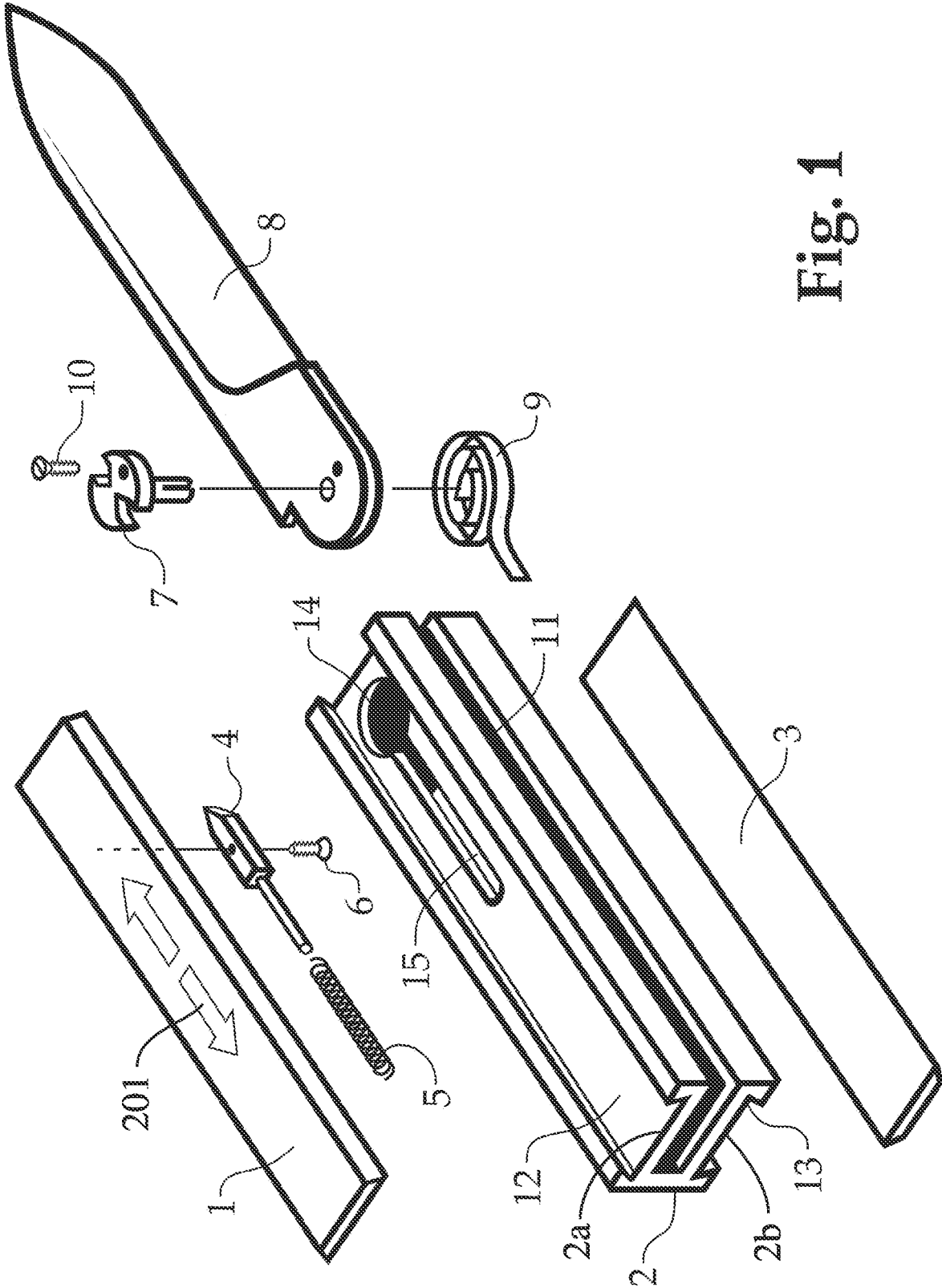


Fig. 1

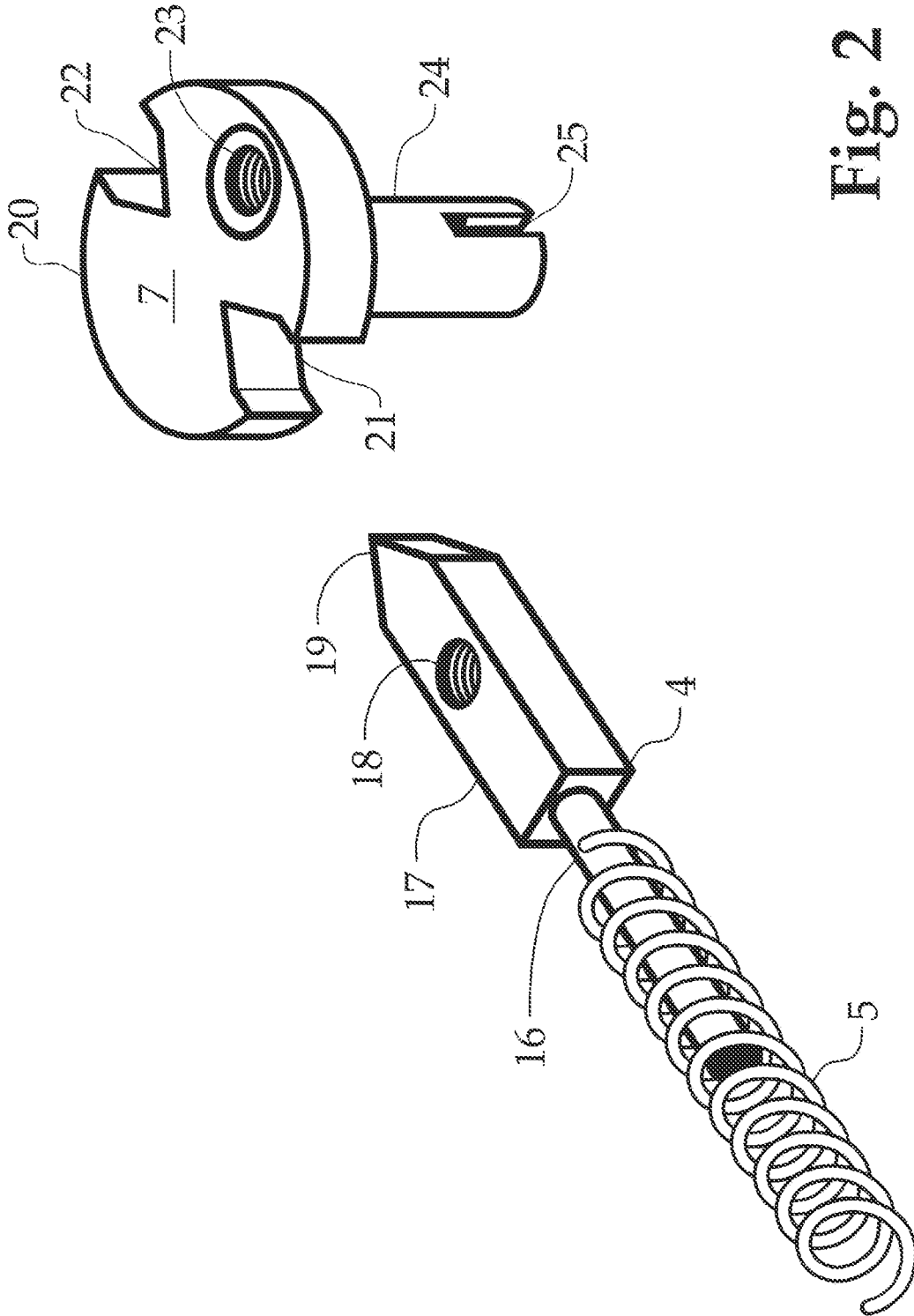
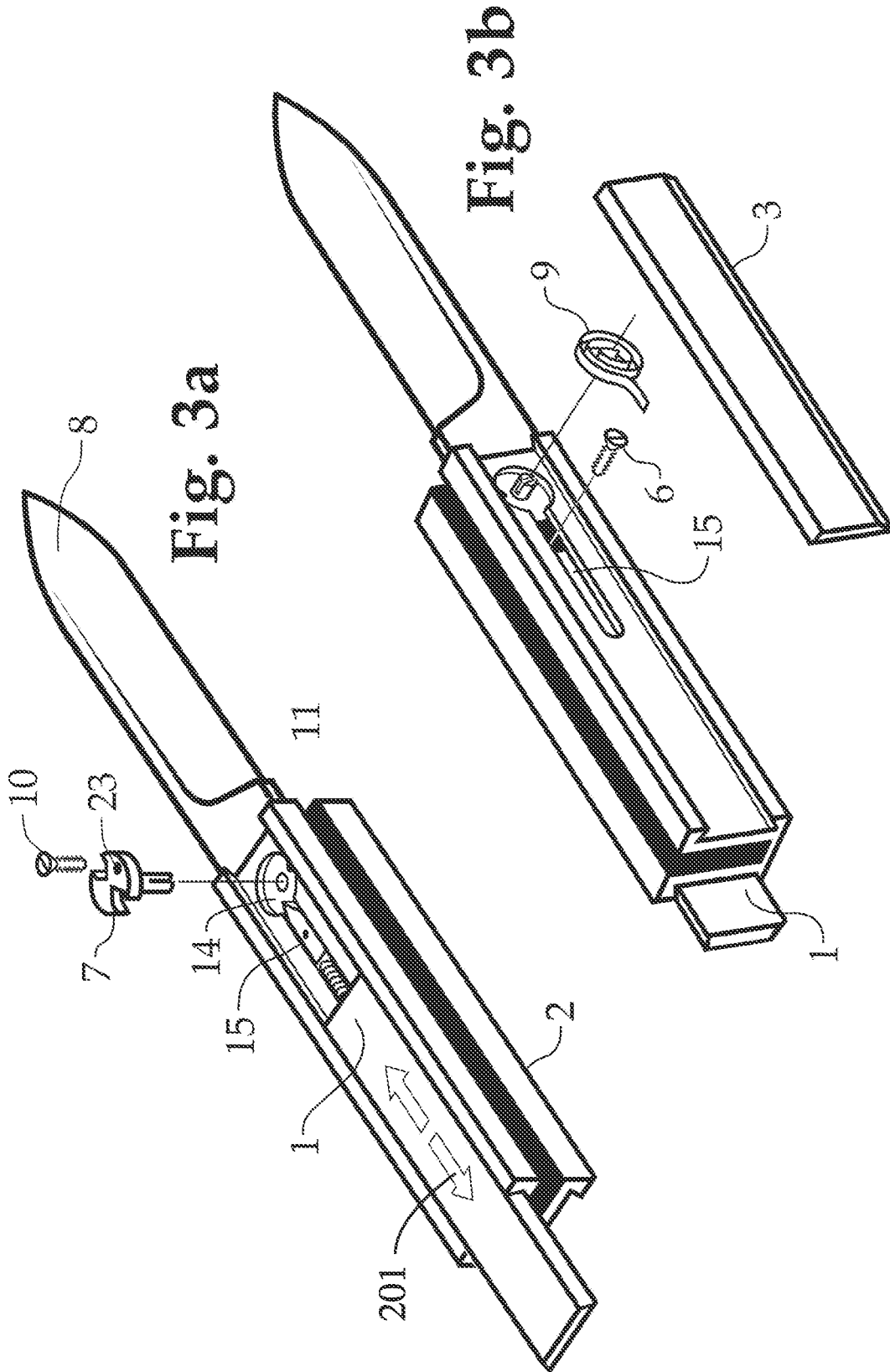


Fig. 2



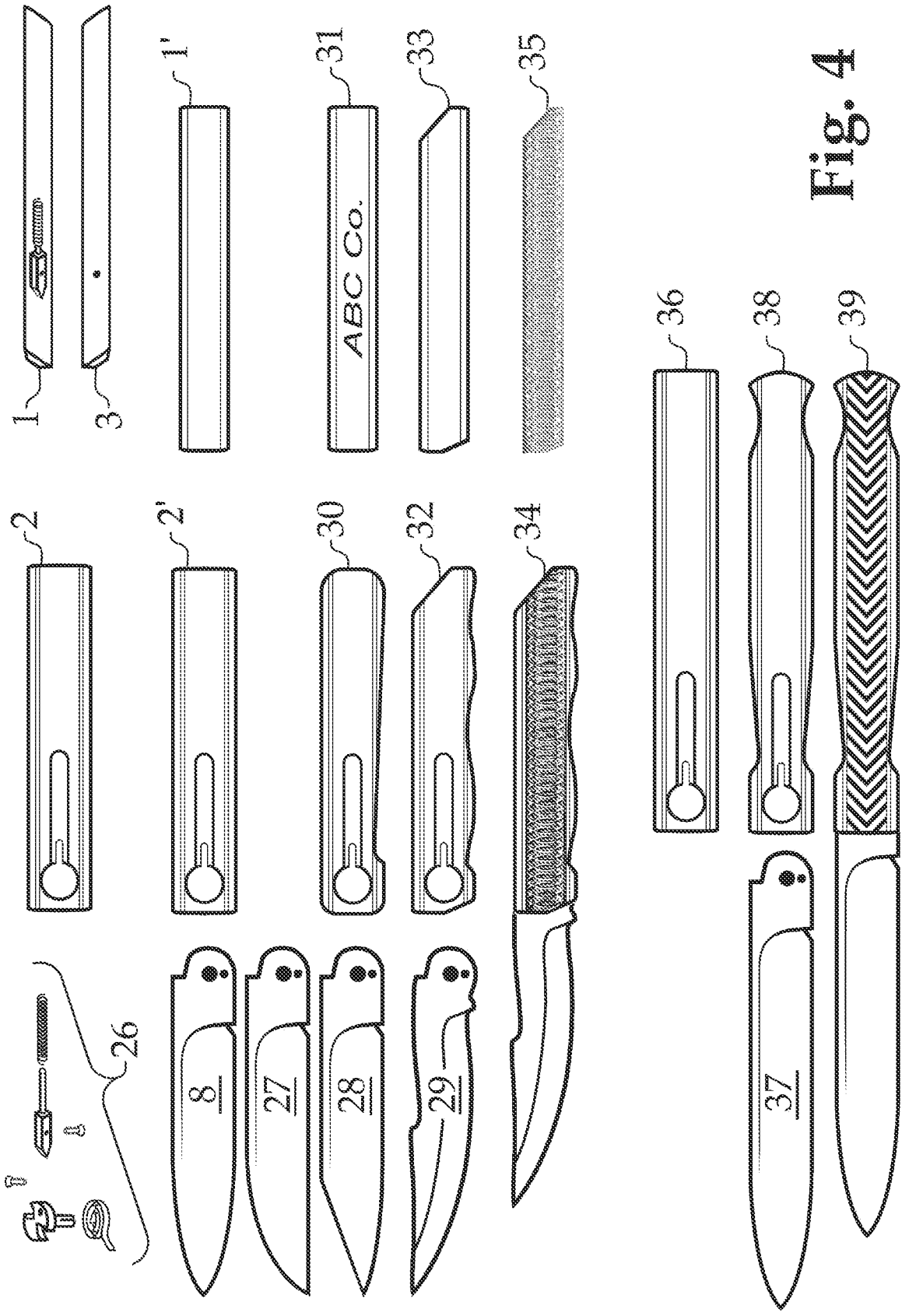


Fig. 4

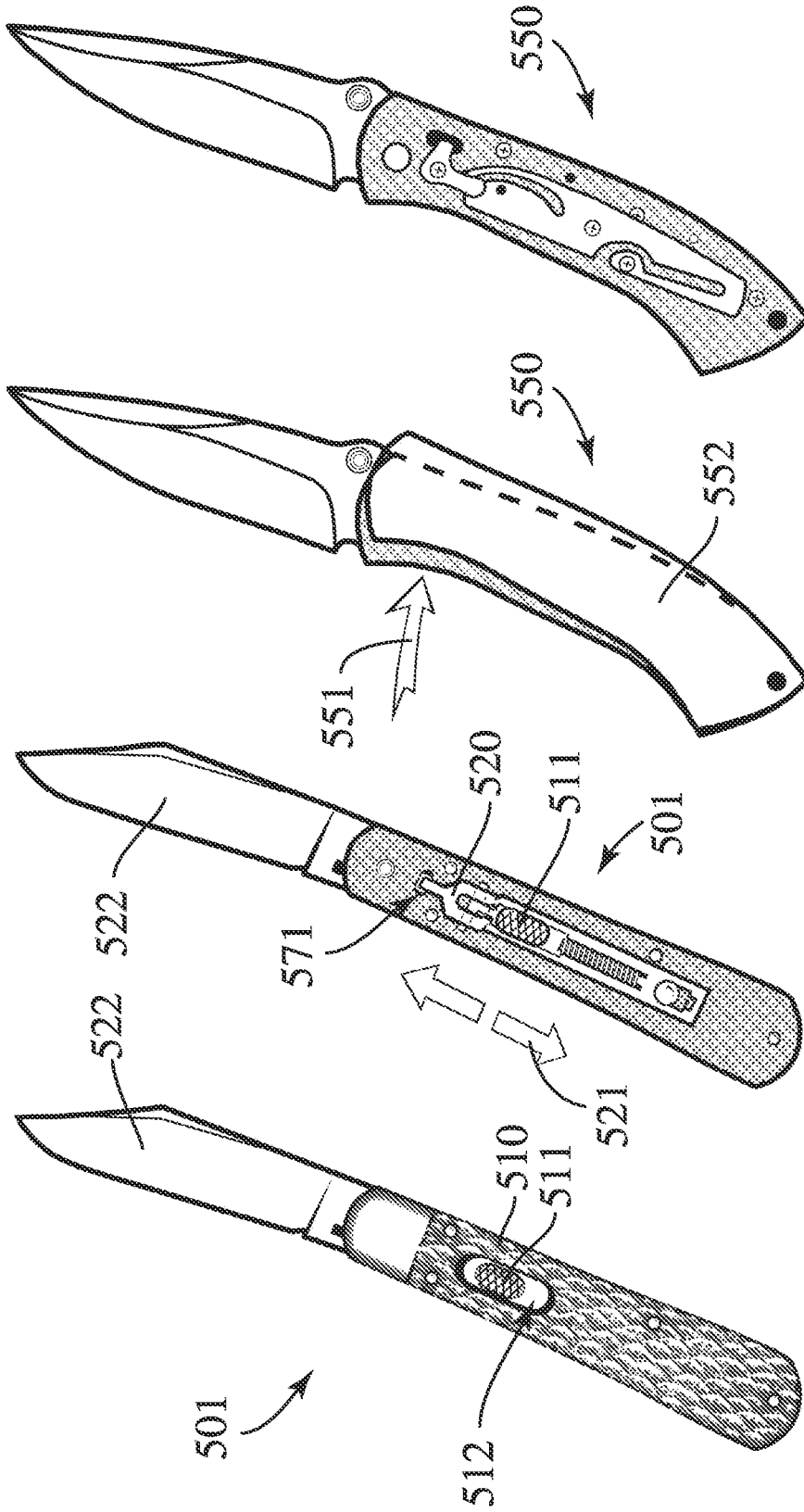


Fig. 5d

Fig. 5c

Fig. 5b

Fig. 5a

Prior Art

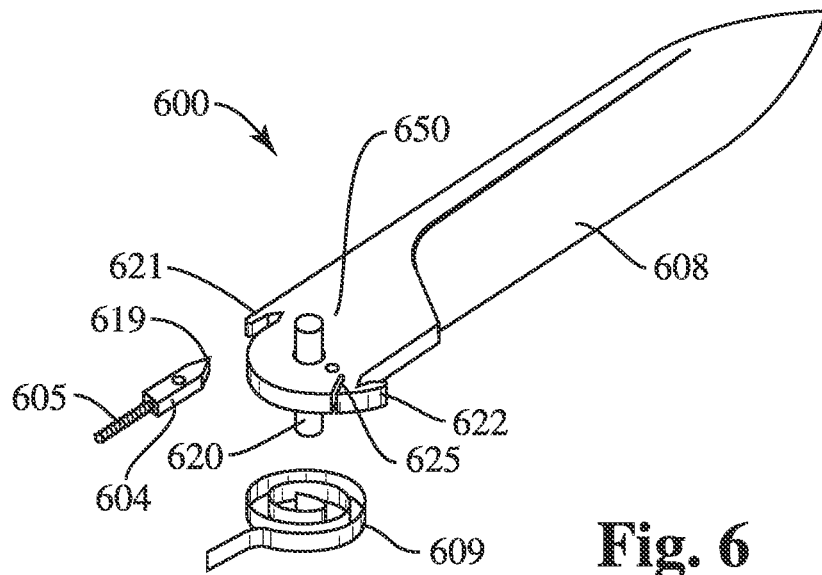


Fig. 6

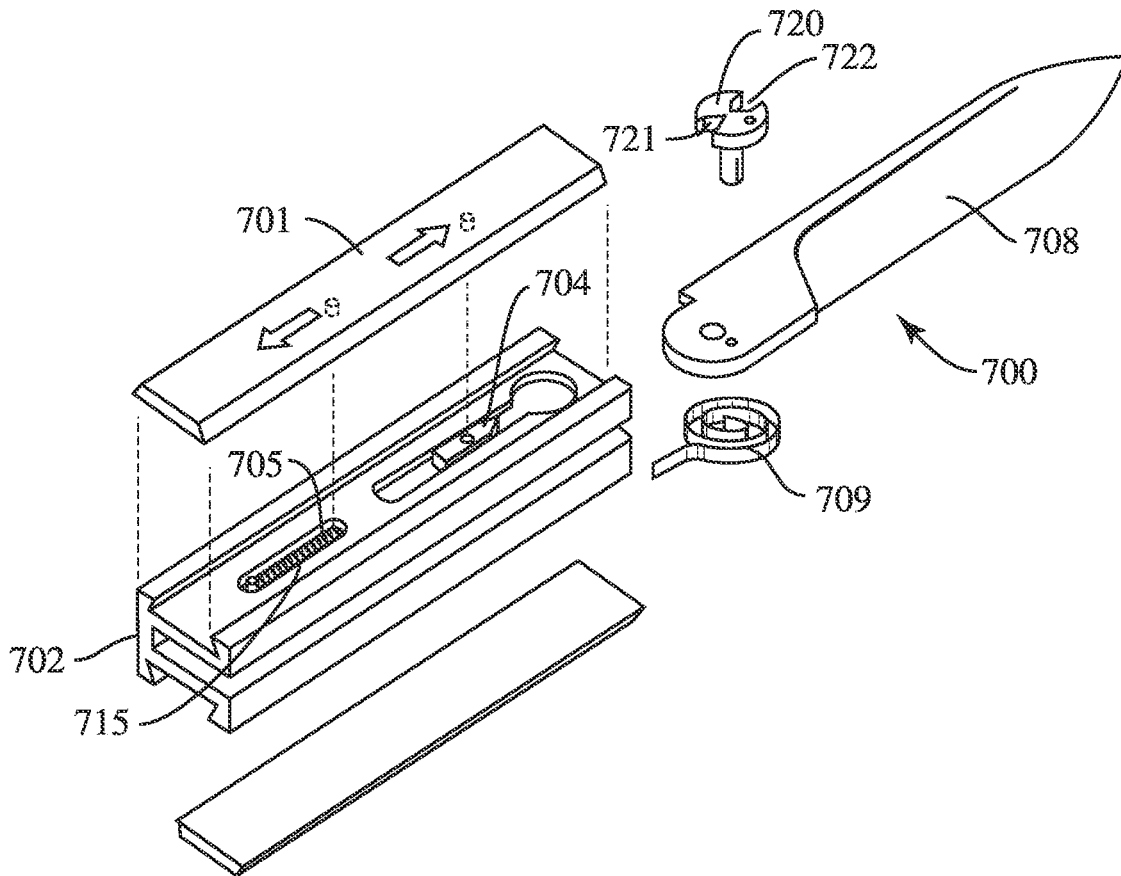


Fig. 7

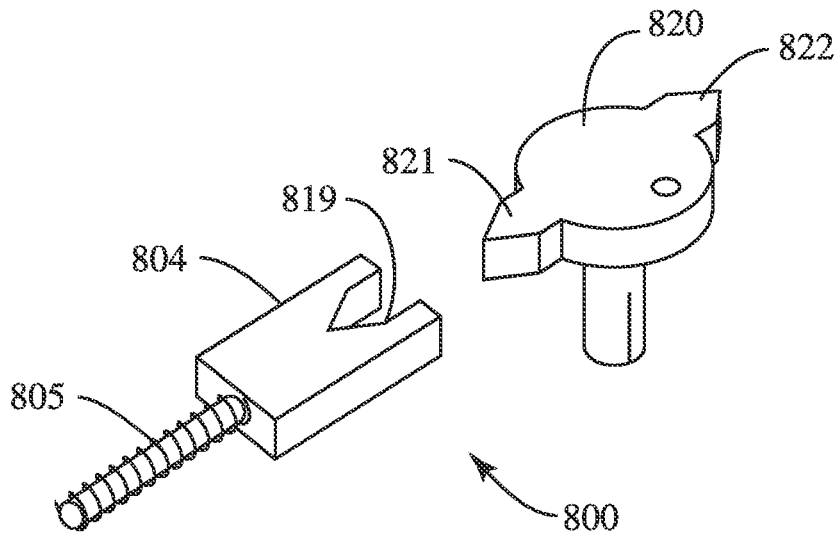


Fig. 8

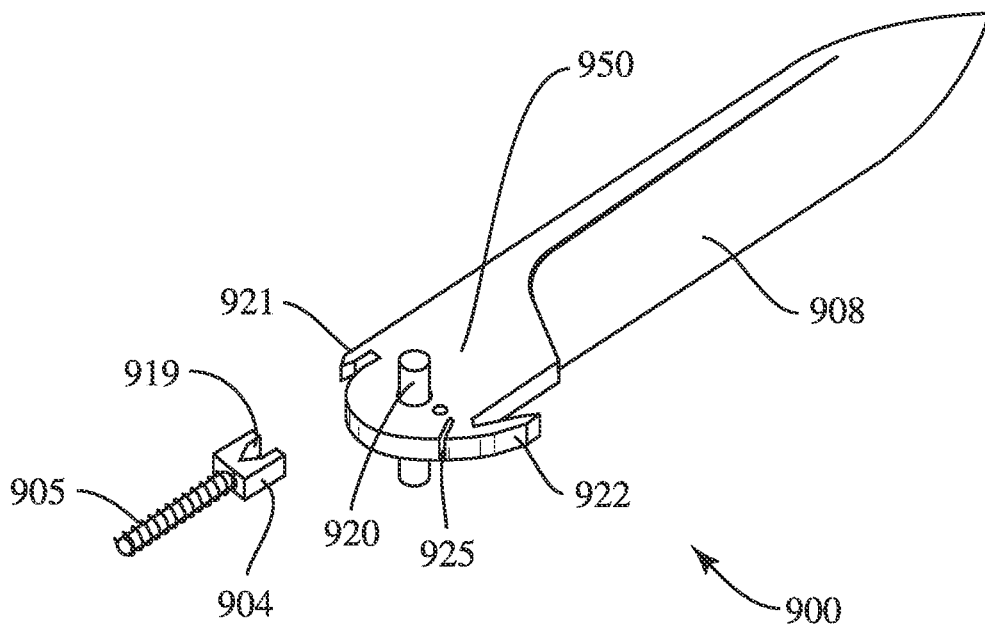


Fig. 9

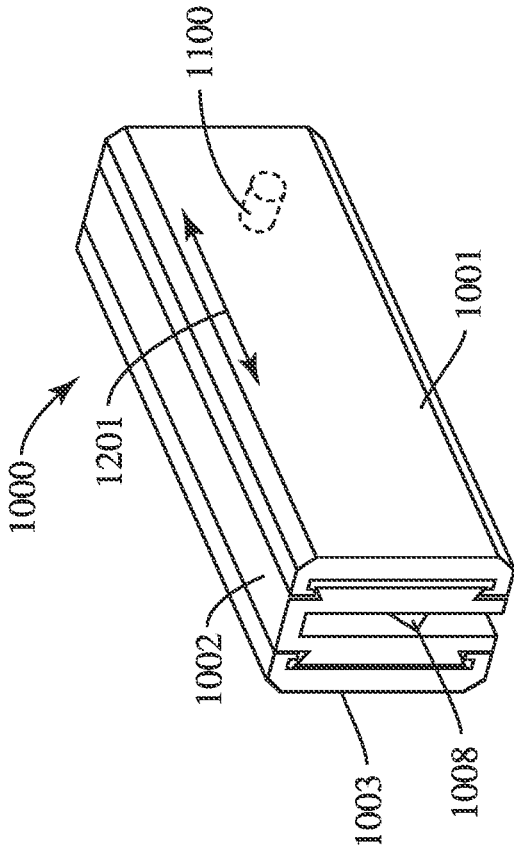


Fig. 10

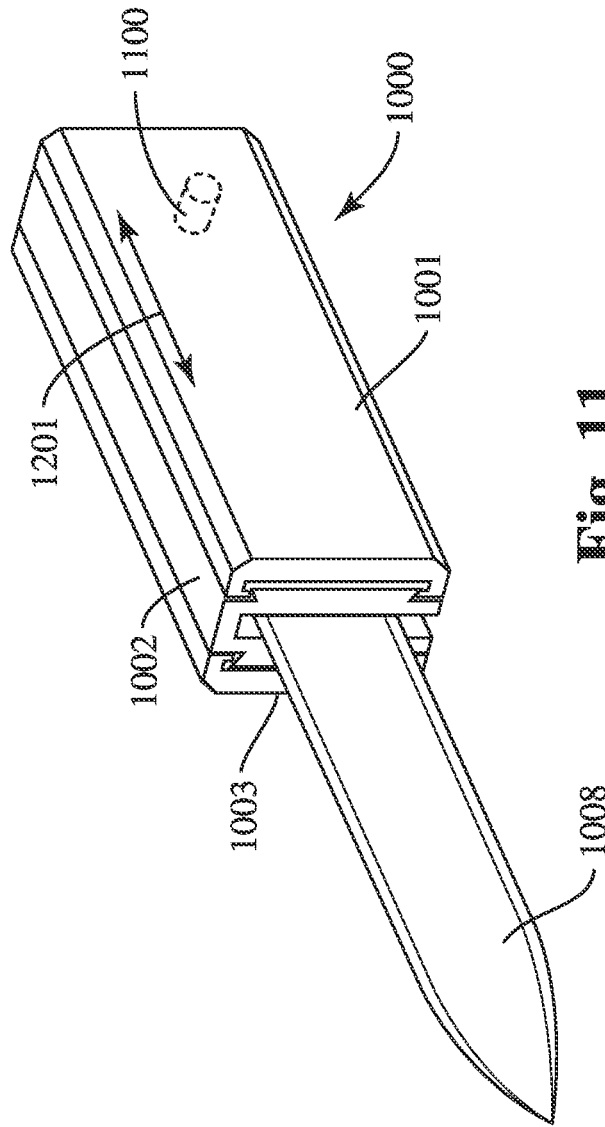


Fig. 11

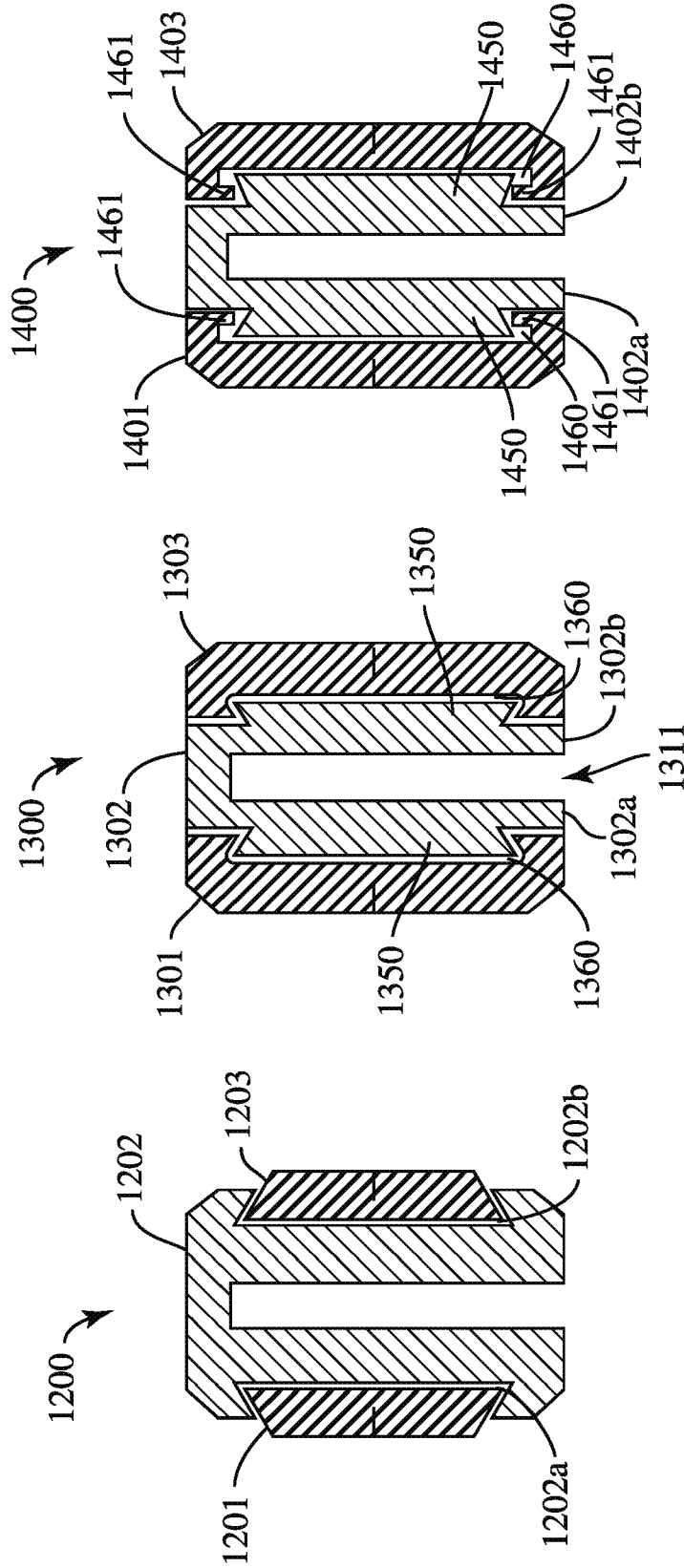


Fig. 12

Fig. 13

Fig. 14

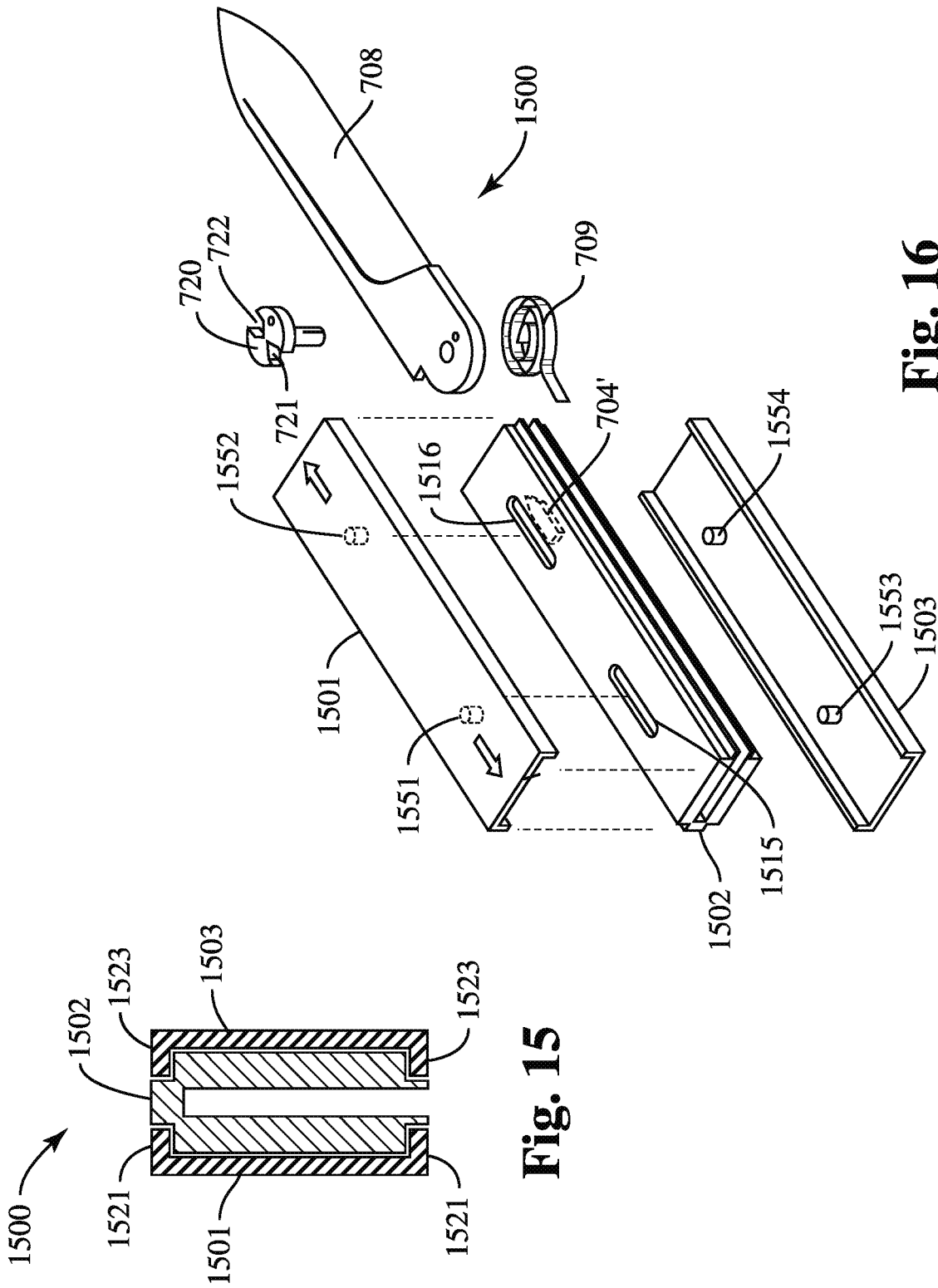


Fig. 16

Fig. 15

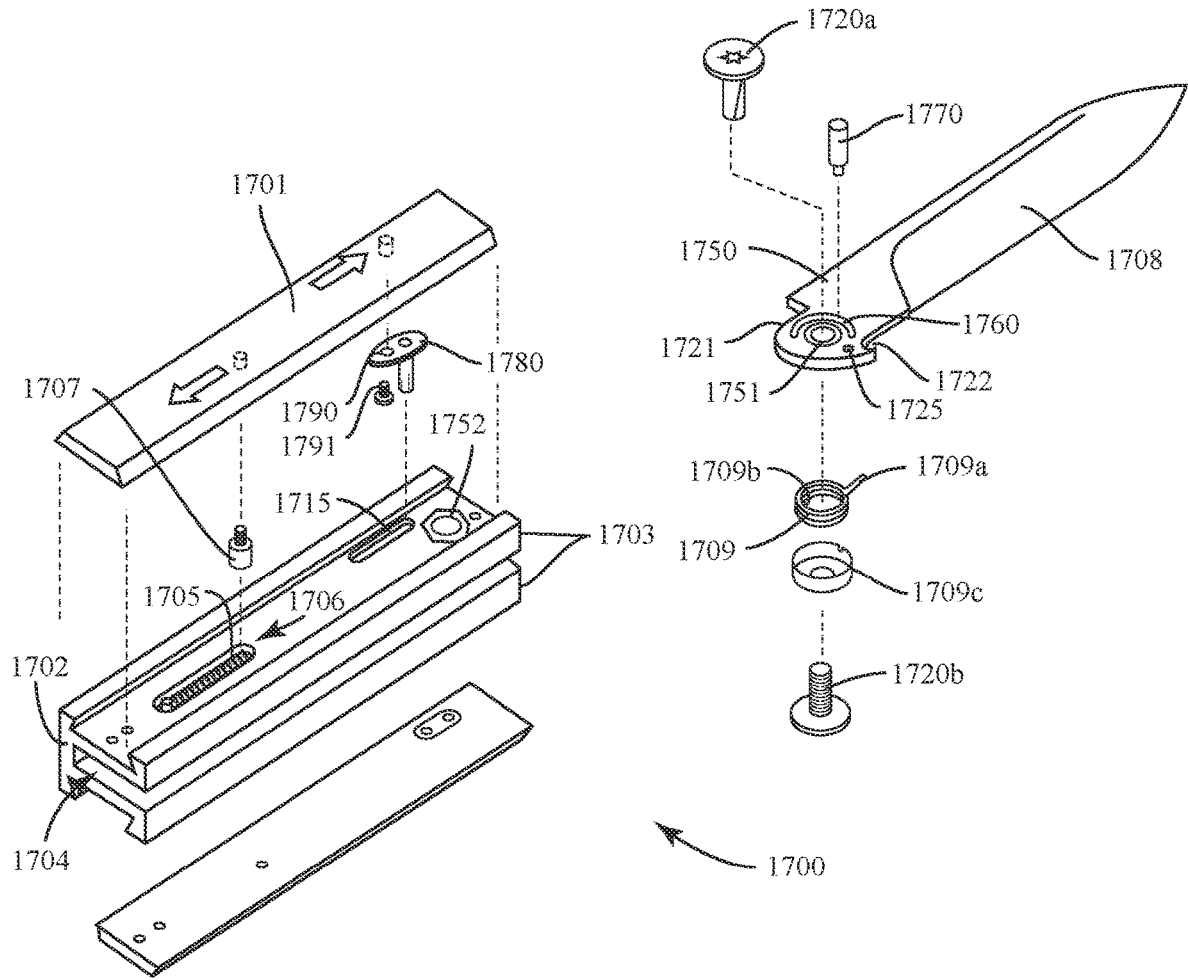


Fig. 17

LOCKABLE TOOL WITH SLIDING SCALE RELEASE

CROSS REFERENCE TO RELATED APPLICATIONS

This application claims priority to Ser. No. 16/689,620, filed Nov. 20, 2019, which itself claims priority to Ser. No. 15/792,204, filed Oct. 24, 2017, and to provisional application Ser. No. 62/436,570, filed Dec. 20, 2016. The entire contents of these applications are incorporated herein by reference.

BACKGROUND

The invention relates generally to lockable tools, such as knives, which can be opened with the activation of a release.

Lockable knives and other tools, e.g., with spring biased blades, have a variety of configurations and release button designs. For example, some knives have a reciprocating (sliding) button and are referred to as having Flylock mechanisms. Existing Flylock sliding buttons generally move along the long longitudinal length axis of the knife, within an opening in a distal portion of the handle. As used herein, for purposes of reference only, an open knife will be referred to as oriented with the free tip of the blade at the distal end and its blade edge facing upwards, to define a front left side of the handle and a rear right side of the handle. When closed, the tip will point in the proximal direction with the blade edge facing downwards and protected, with a front left handle side and a right rear handle side.

The side of the handle portion of a Flylock design knife is typically only a cover plate ("scale"), and not part of the frame or opening mechanism. Flylock mechanisms typically have a complex multiplicity of parts, including pins, springs, levers, cams and screws that are factory assembled into a permanent unit. Typically, they are not internally user serviceable, and are not readily reconfigurable for both left-hand and right-hand activation. FIG. 5a shows a Flylock style knife 501 with a scale 510 installed and a sliding button 511 for releasing the Flylock mechanism showing through an opening 512 in scale 510. FIG. 5b shows Flylock style knife 501 with scale 510 removed. Sliding button 511 in the direction of arrow 521 lifts a square tip sear 520 out of a square cut recess cavity 521 in a blade 522 (not shown), and a resilient member (not shown) causes the knife to automatically swing from a closed to the open position shown in FIGS. 5a and 5b. Knife 501 is closed manually.

FIG. 5c illustrates a conventional knife 550 activated by the pivoting or rocking motion in the direction of an arrow 551 of an external handle scale 552 on knife 550. FIG. 5d depicts knife 550 of FIG. 5c, with scale 552 removed, showing an internal spring plate and a sear bellcrank/toggle. The parts of these conventional knives require multiple fasteners and are commonly factory finished. This makes them inconvenient for users to service or reconfigure. Many conventional scale release knives have square cut sears and sear holes. These interacting parts, by nature of a factory manufacturing method, require tolerance clearance to fit together. The resulting tolerance fit leave micro-gaps in the machinery that have a cumulative effect resulting in potential blade wiggle in either open or closed positions. This is observable in surviving Flylock style knives manufactured in the early 1900's, and also in modern knives, as part surfaces wear with age, increasing the loose play in an "locked" blade.

In addition to the complexity of conventional mechanisms, the appearance of these mechanisms can be undesirable. For example, buttons and levers can be unsightly. They can also be difficult to manipulate under certain circumstances.

These and other shortcomings in the prior art are addressed by the present invention.

SUMMARY OF THE INVENTION

An easy opening lockable tool, with a sliding scale north-south release along the longitudinal axis of the tool, is provided by the present disclosure. The tool, such as a knife, can be configured for both right-hand and left-hand use. It can have fewer parts and can be easily serviced or reconfigured by a user. Tools in accordance with the invention can have a sliding scale that can be moved in the distal-proximal/north-south direction along the longitudinal axis of the tool to activate the release to permit automatic or manual opening of the tool. The tool can include a frame with two opposing side walls and a gap therebetween to receive the tool. The tool can swing out the top of the cavity, between open and closed configurations. It can be spring biased or swung with a flip of the wrist. Alternatively, the tool can have an out-the-front opening mechanism, with closed top and bottom edges and a front (distal) opening through which the tool can extend and retract. Each side wall can be the mirror image of the other, for reconfiguration for use by the opposite hand. By slidably mounting the scales on the frame and coupling the scale to the release mechanism, the unlocking mechanism can be activated by reciprocating the scale along the longitudinal axis.

In one embodiment of the invention, one and preferably both of the walls can have an opening, such as a keyhole shaped opening having a round portion near the distal end of the wall and a slot proximal to the round portion. The opening can be shaped to receive a circular cam that can be joined to a resilient member, such as a coil kick spring that biases the cam to rotate. Without the spring, it can be opened with a flip of the wrist. The cam can be joined to the tool, to automatically swing the tool open when the cam is released. If present, the slot of the keyhole can have a shelf at its proximal end.

A sear can be provided to releasably lock the cam in place, with the tool in the open or closed position. The sear can be biased in camming engagement with the cam, preferably in the distal direction. The sear can have a head for engaging the cam and a shaft extending proximally from the head. The proximal end of the sear shaft can be placed on the shelf. The head portion at the distal end can be a projection (or receptacle) for engaging a corresponding projection (or receptacle) on the cam. For example, the sear head can be wedge shaped and nest into one of a pair of V-shaped grooves in the cam or grooves on the sear head can receive projections on the camming surface. The grooves or projections are preferably symmetric and on opposite sides of the cam, one to lock the cam and the tool open and one to lock the tool closed. In another embodiment of the invention, the wedge or grooves can be formed on a base of the tool, which rotates around a shaft or axle. The tool can be biased into the open position by a spring. In another embodiment of the invention, the scale can be biased into the direction of the groove (or wedge) and the sear can be coupled to the scale. In this embodiment, the sear is indirectly biased into the locking engagement. In still another embodiment of the invention, the tool opens out-the-front by a conventional mechanism that is activated by sliding the scale along the

longitudinal axis. Reciprocating the scale, which is coupled to the activation mechanism, along the longitudinal axis, unlocks the tool so that it will automatically open or close.

In one embodiment of the invention, one side of the tool can include a sliding cover (scale) coupled to the sear. In one embodiment of the invention, the cam or tool can be biased into the open position. If the tool is locked in the closed position, sliding the scale proximally along the longitudinal axis can unlock the cam or other mechanism and permit the resilient member to rotate the cam (or tool), which in turn, kicks open the tool. Releasing the handle can permit the sear to advance into the cam and eventually the groove in the cam and lock the tool in an open position. To close the tool, the handle is again slid proximally to release the cam from the sear, and the tool can be closed by hand. The scale/cover is released and the sear is resiliently urged in the distal direction and engages a groove on the cam to lock the tool back in the closed position.

The sear can have a chisel or wedge shape tip head at its distal end or a matching groove. The circular cam can include V-shaped notches that match a V-shaped sear head or a wedge shaped projection to engage a notch in the tip of the sear. The head can act a cam follower and wedge into the V-notches in the open and the closed positions. This wedging action produces an open blade that locks more stiffly in place, with less movement or play than many other configurations.

In one embodiment of the invention, the tool can be fit together similarly to a mechanical puzzle and requires only two fasteners, such as screws or pins—one to connect the scale to the sear and one to connect the cam to the tool. All the other parts can be configured and arranged to fit together into place like a three dimensional jigsaw puzzle.

The major components of a tool in accordance with the invention can comprise the tool assembly (a blade or other tool), which is coupled to a cam, which can be coupled to a resilient member such as a coil kick spring; a handle assembly (a frame and one or two sliding covers); and the release assembly (the sear coupled to a cover and resiliently biased into and interacting with the cam). These elements can be puzzle fit and hold themselves in place. The screws or pins fasten together the moving sub-assemblies. The screws or pins are internal and need not be seen when the tool is assembled. This provides a clean outward appearance, without visible pins or screws.

The scale release front (left side) scale button is preferably flush and can match the rear (right side) scale cover plate, which only functions to cover the internal mechanism and need not perform a mechanical function other than sealing. Alternatively, both scales can function to activate separate releases for separate tools. Thus, when the tool is a knife, it can appear to be a trick knife with no visible release or activator.

Tools in accordance with the invention can be made to be user serviceable, and require no special tools to disassemble and reconfigure between left hand or right hand operation. Thus, this tool design, referred to as a scale release/hidden button design, can include parts, assemblies, features and qualities that constitute, e.g., a knife with a folding blade that may be spring operated that locks open and locks closed.

The handle body frame can be a one-piece item with a "C" or "U" shaped channel cross section, having two opposing walls and creating a blade well cavity for receiving the blade (or other feature) in a closed position. An out-the-front embodiment can have no open sides or top/bottom edges, and has an open front. The handle body can include dovetail groove tracks cut along the long axis of one or both sides of

the exterior of the handle body and the scale can ride in those tracks. Thus, some, but not all the frame is covered. Alternatively, the dovetail groove can be on the inside of the scale and a rib on the frame can ride in the groove and the scale can cover all of the side of the frame. The case can have edges that wrap around the sides of the frame and cover the frame from top to bottom. The handle body can include a thru hole to act as a blade pivot bushing inside diameter, through one or both of the frame walls and cavities made to conceal internal components, such as the sear and allow access for internal assembly.

In another embodiment of the invention, the tool has an out-the-front opening mechanism. For example, the tool can have the mechanism described and depicted in U.S. Pat. No. 7,562,455, the entire contents of which are incorporated herein by reference. This mechanism can be activated by coupling the release to the scale and then activating the release mechanism by sliding the scale along the longitudinal axis.

The handle features and following internal parts combine to produce an external appearance of a preferred operating mechanism that is sleek and without visible fasteners. The blade locking device can include a chisel point (wedge shaped) sear that by nature of its physical shape as a wedge, can force the blade to come to battery or precisely stop in position with low wiggle or play. The chisel point sear can interact with a matching V-notched cam surface on a shaft (or vice versa), such as a step-shaft part in a fashion that normal metal fatigue or abrasive wear is not detrimental to the location fit of said parts. Alternatively, the V-notches can be formed into the base of the blade, without the need for a separate shaft. Alternatively, the spring forcing the sear forward can be attached to the scale and the scale can be attached to the sear. Subsequent use will not adversely affect blade alignment, but rather, could cause the contact surface to sharpen and improve the wedge fit.

The V-notch cam surface profile can be on a multifunctional step shaft, which when fastened to the tool blade, can index the blade to both open and closed positions, locate and retain the blade within the handle so that it will not fall out, act as a pivot shaft bushing and bearing for the blade rotation, and act as a fastening point for the resilient member, such as a coil kick spring. Alternatively, the cam shaft can be incorporated into the base of the tool.

A knife or other tool in accordance with the invention can include insert cover plates referred to as scales, that can slide and move inside or over a dovetail groove track, cut along the long axis of both outer sides of the handle body or inside of the scale. The scale multifunctions as both a cover plate and a release mechanism. The scale release can be flush and match the nonfunctional rear scale cover plate in such a way that it appears to be trick knife with a hidden release.

A chisel point sear can be attached to the underside (inner surface) of one of the scales to constitute the operating mechanism sub-assembly or release of the automatic blade. The sear can be attached to the scale with a fastener inserted through openings in the handle body in a manner that the fasteners and sear resilient member, such as a compression spring are hidden from view upon final assembly.

A multifunction step shaft and coil kick spring in accordance with the invention can be manufactured with a thin profile, so as to be easily concealed under the exterior scale cover plates. Using multifunction parts can reduce the total number of parts, which can include 1 blade, 1 sear, 1 sear shaft, 2 handle covers, 1 frame, 2 springs, and 2 screws. The parts can be easily disassembled and reassembled by the user, as opposed to a factory permanent pinned assembly.

5

The internal parts, handle and blade in accordance with the invention can all be made to be ambidextrous, such that either the front (left) or rear (right) scale activates the release, so that reassembly can be for either right handed or left handed users.

The internal parts can be configured such that the same parts can be used in any blade (or other tool) size and or external profile appearance and provide an easy interchangeability of parts.

The internal chisel point sear and the step shaft device can work with a coil kick spring and also with conventional leaf kick springs inside the blade as well.

The external sliding scale can be surface cut into a trademark design appearance shape or pattern profile without adversely affecting the internal components, in such a way that the trademark shape applied to the folding tool can also be applied to an Out-the-Front (OTF) knife or telescoping blade knife, so as to produce a matching set.

The external sliding scale is interchangeable on existing stockpiles of knives, and can be produced with a variety of grip patterns, semi-precious material inserts, or can be engraved or printed as a billboard with any company Logo.

Other objects, advantages and embodiments of the invention will be apparent from the specification and the drawings and the scope of the invention will be indicated in the claims.

BRIEF DESCRIPTION OF THE DRAWINGS

The present disclosure will become more readily apparent from the specific description accompanied by the following drawings, in which:

FIG. 1 is an exploded perspective view of a lockable tool, in the form of a knife, with a north-south sliding scale release, according to an embodiment of the present disclosure;

FIG. 2 an exploded perspective view of the sear and step shaft cam of the tool with sliding scale release of FIG. 1;

FIGS. 3a and 3b are partially assembled exploded perspective views of the tool with sliding scale release aligned with the longitudinal axis of the tool of FIG. 1;

FIG. 4 is a side view of variations on a lockable tool with north/south sliding scale release according to different embodiments of the present disclosure;

FIGS. 5a-5d are side views of prior art knives

FIG. 6 is a partial exploded perspective view of a tool in accordance with the invention having wedge receiving notches for receiving the wedge shaped tip of a sear, formed into the base of the tool;

FIG. 7 is an exploded perspective view of a tool in accordance with the invention in which a sliding scale is biased forward and the sear is coupled to the scale;

FIG. 8 is an exploded perspective view in accordance with the invention of a sear having a wedge receiving notch at its tip and a camming shaft having wedge projections for engaging the notch on the sear;

FIG. 9 is an exploded perspective view of a tool having a sear with a wedge receiving notch at its tip and a knife blade having wedge shaped projections extending from the blade base, for engaging the tip of the sear in accordance with the invention;

FIG. 10 is a perspective view of a tool in accordance with an embodiment of the invention, in which the tool opens out-the-front, in the closed, retracted configuration;

FIG. 11 is a perspective view of the tool of FIG. 10 in an open, extended configuration;

FIG. 12 is a cross-sectional end view of a tool in accordance with an embodiment of the disclosure;

6

FIG. 13 is a cross-sectional end view of a tool in accordance with another embodiment of the disclosure;

FIG. 14 is a cross-sectional end view of a tool in accordance with another embodiment of the disclosure;

FIG. 15 is a cross-sectional end view of a tool in accordance with another embodiment of the disclosure;

FIG. 16 is an exploded perspective view of a lockable tool in accordance with an embodiment of the disclosure; and

FIG. 17 is an exploded perspective view of a lockable tool, in the form of a knife, with a north-south sliding scale release, according to an embodiment of the present disclosure.

DETAILED DESCRIPTION OF PREFERRED EMBODIMENTS

The present disclosure may be understood more readily by reference to the following detailed description of the disclosure taken in connection with the accompanying drawing figures, which form a part of this disclosure. It is to be understood that this disclosure is not limited to the specific devices, methods, conditions or parameters described and/or shown herein, and that the terminology used herein is for the purpose of describing particular embodiments by way of example only and is not intended to be limiting of the claimed disclosure.

Also, as used in the specification and including the appended claims, the singular forms "a," "an," and "the" include the plural, and reference to a particular numerical value includes at least that particular value, unless the context clearly dictates otherwise. Ranges may be expressed herein as from "about" or "approximately" one particular value and/or to "about" or "approximately" another particular value. When such a range is expressed, another embodiment includes from the one particular value and/or to the other particular value. Similarly, when values are expressed as approximations, by use of the antecedent "about," it will be understood that the particular value forms another embodiment. It is also understood that all spatial references, such as, for example, horizontal, vertical, top, upper, lower, bottom, left and right, are for illustrative purposes only and can be varied within the scope of the disclosure.

Tools in accordance with preferred embodiments of the invention can include a tool mounted on a frame having a length, height and width. The tools are advantageously opened (unlocked) by sliding a scale (side cover) in the north/south direction along the longitudinal lengthwise axis. The scale can have substantially the same height as the frame or be slightly taller or shorter. The scale can ride in a groove on the frame side defined by ridges at the top and bottom of the frame. This can leave the ridges exposed or the scale can wrap around the ridges to substantially cover the side of the frame from the horizontal perspective. The side of the frame can have a rib, and the top and bottom of the scale can wrap around the top and bottom edges of the rib. In both situations, the scale is coupled to the unlocking mechanism.

In another embodiment of the invention, the scale can be secured to the frame with a device extending into the frame. With a security device coupled directly to the frame, a flat engagement of the scale to the frame, that does not involve a mating between the scale and frame, is acceptable. Thus, longitudinal sliding of the scale can unlock and open the tool or unlock an open tool which can close automatically or manually.

An exploded perspective view of a tool, in accordance with a preferred embodiment of the invention, is shown

generally in FIG. 1 in the form of a knife 200. Knife 200 includes a frame 2, having a U-shaped cross section and a front-side dovetail groove 12 on the front (left-hand) side and a rear-side dovetail groove 13 on the rear (right-hand) side. Knife 200 is assembled for right-handed use, wherein it is activated by moving a left side front cover (scale) 1 in the longitudinal north/south direction of an arrow 201. Note that frame 2 is symmetrical and knife 200 can be re-assembled as a mirror image for left hand use.

Handle frame 2 can be formed from a metal block, milled so that all features are symmetrical, front and back. Frame 2 can be constructed in other manners, including stamping and welding and other ways as will be apparent to those of skill in the field. Handle frame 2 is formed with two opposing walls, a front wall 2a, which faces a rear wall 2b, with a blade well cavity 11 therebetween. A front left side scale receiving groove 12 is located on the outside of front wall 2a and a rear right side scale receiving groove 13 is located on the outside of rear wall 2b. Grooves 12 and 13 are optionally formed in a dovetail fashion to help retain the covers (scales) to frame 2. Additional configurations for sliding retaining scales 1 and 3 to frame 2 are depicted in FIGS. 12-14. Other configurations will be apparent to those of skill in the art.

Blade well cavity 11 is formed as a narrow gap between walls 2a and 2b, and is slightly wider than a blade 8. Dove tail grooves 12 and 13 extend along the north/south longitudinal axis of frame 2. Front scale 1 (left side looking down on knife 200 with the distal end facing forward and the open blade facing down) rides in groove 12. Rear scale 3 rides in groove 13. Front scale 1 and rear scale 3 are cut with dovetail edges, to slide into grooves 12 and 13 to retain scales 1 and 3 to frame 2.

Frame 2 is also formed with a pivot hole 14, which has the form of a circular thru hole, completely through frame 2. In other embodiments of the invention, the hole can be through only one of the walls or can be in the form of a recess, not a thru hole. Pivot hole 14 is sized to fit the major diameter of a step shaft 7, preferably with a precise fit. Frame 2 also has a keyseat slot 15, extending proximally from pivot hole 14. Keyseat slot 15 has two sections. The distal section of slot 15, closest to pivot hole 14, is a thru hole extension from pivot hole 14. The proximal section of slot 15 is a true keyseat and has a floor that does not extend all the way through the wall of groove 12. Thus, the proximal end of keyseat slot 15 acts as an internal shelf, and the distal end of slot 15, near pivot hole 14, is a thru hole allowing access to the far side internals for parts assembly. The wall of frame 2 having groove 13 is preferably symmetrical to that of groove 12 and should have a mirror image keyseat slot with a shelf at its proximal end for reconfiguration for left hand use.

Grooves 12 and 13 in frame 2 are identical in size. Front scale 1 has a size allowing a running and sliding fit into dovetail groove 12, so that scale 1 may move along the longitudinal axis with finger or thumb pressure in a strictly reciprocating fashion, as a release activator, as discussed below (see arrow 201 indicator markings on scale 1). The dovetail edges of rear scale 3 are cut slightly wider as a location fit or press fit, so that scale 3 can be removably tapped or pressed into place into frame groove 13, as a cover plate. Scale 3 should fit tightly enough, so as not to move with finger pressure during activation of scale 1. Thus, the dovetail edges of scales 1 and 3 should be cut differently, so that when a user's hand causes scale 1 to move proximally, the user's hand will urge scale 3 in a distal direction, which will wedge scale 3 more firmly in place in groove 13. If

reconfigured for left hand use, scale 1 and scale 3 are switched to fit into grooves 13 and 12, respectively, and scale 1 will act as the release and slide in groove 13, with scale 3 motionless in groove 12.

FIG. 2 depicts a sear 4, with a wedge shaped chisel point head 19 at its distal end. Chisel point 19 is preferably formed with two flat sides extending proximally from the point tip. Chisel point 19 is preferably symmetrical. Chisel point 19 of sear 4 also includes a flat side 17 having a connection structure in the form of a screw hole 18 formed all the way or partially through sear 4, proximal from point 19. In alternate embodiments of the invention, hole 18 need not be threaded or fully through sear 4 and can have other attachment structures or a smooth bore. A guide post shaft 16 (FIG. 2) extends proximally from chisel point head 19 of sear 4. A sear spring 5, which is a compression spring, fits over guide post shaft 16 and acts as a resilient member to urge sear 4 in the distal direction.

Sear 4 and sear spring 5 are inserted into keyseat slot 15 of groove 12. Shaft 16, with spring 5 thereon rests on the shelf of keyseat slot 15. Chisel point head 19 extends in the distal direction, into pivot hole 14. As shown in FIGS. 1 and 3b, screw 6 is then inserted into the thru hole portion of slot 15 of groove 13, then the thru hole portion of slot 15 of groove 12, then into a hole in the underside of handle scale 1 (not shown). Thus, scale 1 is connected to sear 4 by screw 6 and they can act as a unit, whereby reciprocating scale 1 along the longitudinal axis can displace sear 4 back and forth along the same axis. Compression spring 5 will keep sear 4 and scale 1 biased in the distal position. Hand pressure can compress spring 5 and move scale 1 and therefore also sear 4 in the proximal direction.

Referring again to FIG. 2, sear 4 acts as a cam follower to a step shaft 7. Step shaft 7 has a major diameter 20 and a minor diameter 24. In other embodiments of the invention, it can have a single diameter or multiple diameters. In still other embodiments (see, e.g. FIGS. 6 and 9), the camming surface can be built into the base of the tool. As shown in FIGS. 3a and 3b, major diameter 20 nests in pivot hole 14 and is held in place by scale 1 on the front side of groove 12 and by scale 3 on the rear side of groove 13. Before inserting step shaft 7, the proximal portion of a blade 8 is placed in the distal end of frame 2, with the edge of blade 8 facing in the same direction as cavity 11. Minor diameter 24 is inserted through a thru hole 80 in the proximal end of blade 8. Blade 8 is then joined to step shaft 7 by inserting a screw 10 through a screw hole 23 (or smooth hole) in step shaft 7 and into a screw hole 100 in the proximal end of blade 8. Blade 8 and shaft 7 now pivot as a unit about pivot hole 14.

An external end 90 of a coiled kick spring 9 is inserted into a saw cut 25 at the bottom of minor diameter 24. External end 90 of kick spring 9 presses against frame 2. In this manner, kick spring 9 is constructed and arranged to impart a rotational bias against step shaft 7, which in turn imparts rotational bias to blade 8.

With blade 8 in the open position, chisel point 19 of sear 4 will nest in a V-notch 21 (FIG. 2) of major diameter 20. To release blade 8, scale 1 is slid proximally along the longitudinal axis, to detach point 19 from notch 21. The user can then fold blade 8 closed by hand, against the bias of spring 9. Sear 4 acts as a cam follower until blade 8 is in the closed position and a closed position V-notch 22 faces point 19. Scale 1 can then be released and sear 4 (and therefore scale 1) will then move distally and sear 4 will lock into closed position notch 22. To open blade 8, scale 1 is moved proximally along the longitudinal axis; sear 4 disengages from closed position notch 22; spring 9 urges shaft 7 to

rotate and cause blade **8** to swing open. Sear **4** follows major diameter **20**, until it locks into open position notch **21**, to lock blade **8** in the open position. Scale **1**, sear **4**, spring **5**, shaft **7**, spring **9** and blade **8** are thereby adapted to cause blade **8** to swing into in the open position when scale **1** is moved in the longitudinal proximal direction to disengage sear **4** from shaft **7**.

The parts shown are made such that knife **200** can be disassembled and reassembled into a left-hand or right-hand knife by switching scale **1** and scale **3**, moving sear **4** and shaft **7** to slot **15** in groove **13** and reversing sear **4** and screw **6**.

Note that compression spring **5**, on shaft **16** of sear **4**, is coupled to front scale **1** by sear retaining screw **6**. That combination constitutes a moving sub-assembly of parts within the whole of knife **200**. Also, step shaft **7**, with kick spring **9** inserted in cut **25** is coupled to blade **8** by screw **10**. It therefore constitutes a separate moving sub-assembly of parts within the whole of knife **200**.

Step shaft **7** has multiple purposes and functions. Major diameter **20** of step shaft **7** functions as a main pivot bearing for folding knife blade **8**. It also acts as a structural/puzzle retaining piece which will be explained below with reference to FIGS. **3a** and **3b**. Major diameter **20** has two symmetrical V-Notches **21** and **22**, which are 180 degrees apart, and are sized to match chisel point **19** of sear **4**. Screw hole **23** is positioned 90 degrees from the alignment of V-notches **21** and **22**. Hole **23** can be a smooth bore for a location pin, but is preferably drilled, threaded and countersunk to be suitable for a flathead screw, to fasten step shaft **7** to knife blade **8**.

Minor diameter **24** of step shaft **7** fits into hole **80** in the proximal end of knife blade **8**. Minor diameter **24** requires a length sufficient to protrude thru the thickness of knife blade **8**. Minor diameter **24** has bottom saw cut **25**, on which coil kick spring **9** will act, to impart rotational bias to shaft **7** and thereby, blade **8**.

FIGS. **3a** and **3b** depict other parts of the assembly, and also illustrate the simplicity of the design, and that the manner of assembly is a mechanical puzzle. Because of the way the parts fit together, only two fasteners, such as screws, are required.

FIG. **3a** shows the first steps of the preferred assembly of knife **200**. First, the proximal end of blade **8** is placed into the distal end of cavity **11** of frame **2**. Next, step shaft **7** is inserted thru pivot hole **14** and through hole **80** in the proximal end of blade **8**. The jigsaw puzzle fit prevents blade **8** from falling away from frame **2**, and allows blade **8** to swing back into cavity **11** into a closed condition and out, into an open condition, typical of a folding pocket knife. Then, step shaft **7** is rotated so that hole **23** aligns with a screw hole **100** of blade **8**. Fastener screw **10** is then screwed into hole **100**, thus aligning V-Notches **21** and **22** at the correct index point.

Continuing with groove **12** facing up, sear **4** and spring **5** are combined and placed into handle keyseat slot **15**. Scale **1** is then inserted into front handle dovetail groove **12**, in a sliding, free moving fashion. Scale **1** prevents sear **4** from falling out of key seat slot **15**. No additional fasteners are needed.

FIG. **3b** shows the further steps of the assembly of knife **200**. Accessing through pivot hole **14** and the open portion of keyseat slot **15** in frame **2**, from the side of groove **13** (FIG. **3b**), scale **1** is slid until its fastener hole (not shown) is aligned with hole **18** of sear **4**. Fastener screw **6** is inserted through the opening in slot **15**, and into the hole inside scale **1** to attach sear **4** to the underside of scale **1**. Then the inner

end of coil kick spring **9** is pressed onto sawcut **25** of the end of minor diameter **24** of step shaft **7**. Finally, rear scale **3** is slid into dovetail groove **13** and releasably or permanently wedged (press fit) into place. Rear scale **3** can also be glued into position or left releasable.

FIG. **4** depicts how the blades and covers of a tool in accordance with the invention can be replaced for enhanced production and marketability to amateur knife-makers. One of the benefits of tool designs in accordance with the invention, is that the internal working parts can be standardized and operate with a variety of alternative exterior tool variations. For example, the knife body itself can exhibit changes in the outward appearance and dimensions, without affecting the standard sear, step shaft, springs and screws, which can be stockpiled.

It should be understood that although the present disclosure is described as relating to knife blades, that blade element can be replaced by other tools. For example, the knife blade can be replaced by a saw, a ruler, a file, a screwdriver, a fish scaler, a comb, a cork screw, a bottle opener, a can opener, an ice pick, etc. Other replacement blades are contemplated.

Furthermore, the ease of disassembly and reassembly can make for kits that include a basic handle component with multiple blades and other tool components. Referring to FIG. **4**, reference numeral **26** refers to that group of parts (blade pivot shaft, resilient member for the shaft, sear, resilient member for the sear, and two connectors), which are all the internal parts. The automatically opening mechanisms for tools in accordance with the invention can consist essentially of these parts and any other parts can be excluded. These parts can be identical throughout any knife variant. Likewise, a stockpile of handle scales **1** and **3** can be made. The scales should have the male dovetail edges, are square cut, and can run oversize, to be trimmed later.

Scale **1** shows as a reference, the chisel point sear fastened to the underside, which converts a normal cover plate scale, into a sliding release. The basic handle frame **2**, can have a rectangular profile. Frame **2** has a large thru bore on one side, which also has a machined key seat stepped slot. Female dovetail tracks run between distal and proximal ends along the length axis. All of this machining enhances the mechanical puzzle effect of the assembly. All of this machining can be confined to the center or one end of the tool body, allowing subsequent modification to the periphery of the handle at a later time. It can be made oversize, to be trimmed later. Other shapes are contemplated.

The second row of parts depicted in FIG. **4**, blade **8**, a handle body **2'**, a scale or cover plate **1'**, can be construed as a basic utility knife, with a minimum of machining to be functional.

Another benefit of a design in accordance with the invention is the user serviceability of the assembly. Rather than a factory fixed assembly, a variety of blades (**27**, **28** and **29**) can be swapped out by a user with relatively low mechanical skill. Even more Swiss army style saws, files and other devices can be produced, including a disposable razor blade holder, requiring only the two-hole pattern in the base of the folding blade. The existing stockpiles of internal parts simply "plug-and-play" with these options.

Another benefit of this design is ease of modification of the handle shape. A handle body **30** that has its profile milled for a tapered hand grip, or another variant profile **32** can be attached. Within specific limits, the handle body can be altered after the fact by a kit buyer to craft his own custom designs.

In another embodiment of the invention, a scale **31** is a potential billboard for engraving or printing is available. Buyers can purchase replacements with various semi-precious inlaid materials, or pre-printed sports logos and so forth.

A scale **33**, modified to fit a custom profile, the ends can be changed, but the long sides should remain the dovetail shape to fit the sliding track in the handle body. An assembled fancy profile knife **34**, with no visible fasteners can be assembled. A sliding button scale coverplate **35**, which has a surface texture grip pattern milled into its top surface can also be provided.

Another benefit of this design is a concern for factory manufacturing. The same setup for a short knife can be used for a longer knife. All of the machining for the release components are on one end of the handle body. Unlike other knives that require custom back spine springs tailored to a specific length, this design permits use of the same basic group **26** for any length knife.

A standard rectangular profile handle body **36**, similar to body **2**, except longer, a longer blade **37**, a custom contour profile **38**, an assembly of a long stiletto design **39** with a traction grip pattern sliding scale release button, can all be provided.

Not shown is yet another version possible for collectors, a folding boar knife/trench knife, a folding knife with a long blade that is fitted to a short handle body. When closed, the blade end protrudes like a short sheath knife, only to spring open (by a hidden release sliding scale button) into a full length fighting knife.

The wedge shape of chisel point **19** of sear **4**, by nature of its wedging action to lock (open or closed) blade **8**, can produce a product that is more solid and robust in both the open and closed positions than previously marketed folding boar knives. All of this is possible by the mix and match/plug and play components, that can be marketed separately or in multi-part kit form.

The scale can be removable and interchangeable to swap out advertising company logos engraved or printed as a billboard, or to swap different grip materials. Matched sets of both a folding design of the disclosure and an out-the-front (OTF) knife with similar outward appearance and the north/south slidable scale release of the invention can be achieved.

The components of the automatic opening tool with north/south sliding scale release described herein can also be provided as a kit to an end user. The tool can be provided to a user disassembled and the user can assemble the components as desired.

FIG. **6** depicts a portion of a lockable tool **600**, in accordance with another embodiment of the invention, in which the wedge receiving notch features of the step shaft of tool **200** are combined with a base **650** of a blade **608**. Thus, FIG. **6** depicts a blade **608** with an open position V-shaped notch **621** and a closed position V-shaped notch **622** formed into base **650** of blade **608**.

An axle **620** replaces stepped shaft **20** of tool **200** and is provided to permit blade **608** to pivot, such as from force provided by a kick spring **609**. Axle **620** rides in a frame (not shown) of tool **600**. The frame of tool **600** can be otherwise similar to frame **2** of tool **200**. An end of kick spring **609** can fit into a cut **625** in base **650** of blade **608**. Spring **609** is otherwise held in the frame of tool **600**. Notches **621** and **622** are sized to receive a wedge shaped head **619** of a sear **604**, urged forward by a spring **605** of the frame of tool **600**, which is modified accordingly.

FIG. **7** depicts an exploded view of an automatically opening tool **700**, in accordance with another embodiment of the invention, which is similar to tool **200**. Rather than spring **5** directly urging sear **4** of tool **200** in the distal direction, a spring **705** is positioned in a groove **715** of a frame **702**. An end of spring **705** is coupled to a post on an inside portion of a front scale **701**. Spring **705** urges scale **701** in the distal direction. Scale **701** is coupled to a sear **704**. Sear **704** engages symmetrically oriented V-shaped notches **721** and **722** on a step shaft **720**. A kick spring **709** is coupled to and urges a blade **708** into an open configuration. Step shaft **720** is likewise coupled to blade **708** and operates similarly to tool **200**.

FIG. **8** depicts a step shaft **820** and a sear **804** of a tool **800** in accordance with another embodiment of the invention. Sear **804** receives a projection from the step shaft **820**, which is the opposite of the arrangement of tool **200**. Otherwise, the configuration can be similar to tool **200**. Sear **804** is urged in the distal direction, towards step shaft **820** with a compression spring **805**, similar to the construction of tool **200**. Rather than having a chisel point, sear **804** has a V-shaped notch **819**. Step shaft **820** is similar to step shaft **20**, but rather than having a pair of V-shaped notches **21** and **22**, step shaft **820** includes a pair of wedge shaped projections **821** and **822**. Thus, this embodiment of the invention functions similarly to tool **200**, except that the relative positions of the chisel point wedge shaped tip and the V-shaped notches are switched.

In accordance with yet another embodiment of the invention, FIG. **9** depicts a tool **900** having a north/south sliding scale activation in the form of a blade **908**, which functions similarly to blade **608** and has an overall construction similar to tool **600**. However, rather than including notches **621** and **622**, blade **908** includes a pair of projections **921** and **922** formed into a base **950** of tool **908**, to engage with a V-shaped notch **919** of a sear **904**. Sear **904** is urged in the distal direction by a coil spring **905**. Blade **908** pivots about an axle **920**, which is similar to axle **620**. Blade **908** includes a cut **925**, which can engage an end of a kick spring (not shown). As with tool **200** or **600**, to open or close blade **908** moving the scale of tool **900** along the longitudinal axis causes sear **904** to move longitudinally in the proximal direction to disengage either projection **921** or **922** from notch **919**. If blade **908** is closed, the kick spring will urge blade **908** into the open configuration or it can be swung open manually. If blade **908** is open, it can be closed manually.

As discussed above, FIGS. **5a** through **5d** depicts conventional automatically opening tools. FIG. **5a** depicts knife **501** that is opened by activating button **511**. In another embodiment of the invention, a knife similar to knife **501** can be constructed, without opening **512** and with activation button **511** attached to an inside surface of scale cover **510**. By constructing knife **501** so that scale cover **510** can slide along the longitudinal axis, the knife can be opened and closed with a north/south sliding scale configuration. Similarly, those of ordinary skill in the art will understand how the activation mechanism of knife **550** can be converted to one activated by sliding the scale along the longitudinal axis.

Activation mechanisms in accordance with the invention can also be used with out-the-front opening tools. FIG. **10** depicts an automatically opening out-the-front knife **1000**. Knife **1000** includes a blade **1008** within a frame **1002**. A pair of scales **1001** and **1003** of the same height as frame **1002** are mounted on the sides of frame **1002**. Scales **1001** and **1003** cover frame **1002** from the horizontal perspective. Front cover **1001** can slide along the longitudinal axis in the

13

direction of an arrow **1201**. Front cover **1001** includes a peg **1100** which is coupled to activate the conventional out-the-front opening mechanism, modified to be activated by sliding scale **1001**. Knife **1008** includes any of various known out-the-front opening mechanisms (not shown) on frame **1002**, in which an activation switch is reciprocated along the north/south longitudinal axis. Out-the-front knives typically have an internal extension mechanism to bias the tool both from a closed configuration to an open, extended configuration. They typically also have a retraction mechanism to bias the tool from an open, extended configuration to a closed, retracted configuration. Such extension and retraction mechanisms are well known in the art. Thus, unlocking a closed tool can automatically extend it to the open configuration and unlocking an open tool can automatically retract it to a closed configuration. Both can be accomplished with sliding scale activation in accordance with the invention.

U.S. Pat. No. 7,562,455, the contents of which are incorporated herein by reference, in their entirety, depicts and out-the-front opening knife. The knife is activated by reciprocating a button exposed on the outside of the front cover to automatically extend the blade. Activating an extended knife will automatically retract the blade. The activation mechanism of knife **1000** is activated by sliding scale **1001** along the longitudinal axis to cause peg **1100** (or a different type of structure apparent to those skilled in the art) to either cause blade **1008** to extend into the open configuration of FIG. **11** or to cause knife **1000** to retract to the closed configuration of FIG. **10**.

FIG. **12** depicts the frame and scale covers of an automatically opening tool **1200**, in accordance with an embodiment of the invention, similar to knife **200**. Knife **1200** includes a frame **1202** with a left side front scale receiving groove **1202a** and a right side rear scale receiving groove **1202b**. A left scale **1201** is slidably engaged in left groove **1202a** and a right scale **1203** is removably fixed in right groove **1202b**. Left and right scales **1201** and **1203** cover most, but not all of the respective left and right sides of frame **1202**.

Grooves **1202a** and **1202b** act as female receptacles for scales **1201** and **1203**. Thus, they cover most of the left and right sides of frame **1202**, but do not cover the entire left and right sides. Scales **1201** and **1203** have a trapezoidal cross section, with a wider inside base portion facing frame **1202** and a cavity therein and a more narrow outside surface facing outward from the central cavity. The outer edges of groove **1202a** and **1202b** are angled inward, to retain scales **1201** and **1203** to frame **1202**.

FIG. **13** depicts the scales and frame of an automatically opening tool in the form of a knife **1300** in accordance with another embodiment of the invention. Knife **1300** includes a frame **1302** having a left wall **1302a** and a right wall **1302b** defining a blade well cavity **1311** therebetween. A left scale **1301** is slidably mounted on left wall **1302a**. A right scale **1303** is releasably fixedly mounted on right wall **1302b**. Left and right walls **1302a** and **1302b** each include a projecting retention rib **1350**. Left and right scales **1301** and **1303** each include a retention groove **1360**. Retention ribs **1350** are received in retention grooves **1360**, to hold scales **1301** and **1303** to frame **1302**. Retention ribs **1350** have flared edges, which extend outward (up and down) from walls **1302a** and **1302b**. Retention grooves **1360** are defined by the edges of scales **1301** and **1303**, which are flared inwardly. Thus, scales **1301** and **1303** can substantially cover the entire sides of frame **1302**.

14

FIG. **14** depicts the scales and frame of an automatically opening tool in the form of a knife **1400** in accordance with another embodiment of the invention. A frame **1402** of knife **1400** is similar in structure to frame **1302** and includes a left wall **1402a** and a right wall **1402b**, defining a blade well cavity **1411** therebetween. A left scale **1401** is slidably mounted on left wall **1402a**. A right scale **1403** is releasably fixedly mounted on right wall **1402b**. Left and right walls **1402a** and **1402b** each include a projecting retaining rib **1450**. Left and right scales **1401** and **1403** each include a retention groove **1460**. Retaining ribs **1450** are received in retention grooves **1460**, to hold scales **1401** and **1403** to frame **1402**. Retaining ribs **1450** have flared edges, which extend outward and upward down from walls **1402a** and **1402b**. Retention grooves **1460** are defined by edges **1461**, which extend inward towards each other.

The edges of scales **1301** and **1303** are angled, to match the angled flare of retaining ribs **1350**. This provides a close tolerance, but can be difficult to machine. Edges **1461** of scales **1401** and **1403** can be squared off. This can be easier to machine, but provides a looser fit. However, it can provide more sliding friction.

An automatically opening tool **1500**, in accordance with another embodiment of the invention, is shown in FIGS. **15** and **16**. Tool **1500** is similar to tool **700**, shown in FIG. **7**. However, the scales are not retained to the frame in a nesting engagement, as with tool **700**. Automatically opening tool **1500** includes a frame **1502**, with a first scale **1501** and a second scale **1503**, mounted on opposite sides thereof. Scales **1501** and **1503** enclose the outward facing sides of frame **1502**. A pair of top and bottom edges **1521** of first scale **1501** and a pair of top and bottom edges **1523** of second scale **1503** are not entrapped by, nor do they entrap any portions of frame **1502**. Rather, the top and bottom outside edges of frame **1502** are notched; top and bottom edges **1521** and **1523** of scales **1501** and **1503** are at right angles to the sides of scales **1501** and **1503**; and top and bottom edges **1521** and **1523** merely ride against frame **1502**. There is no interaction between frame **1502** and edges **1521** and **1523** to retain scales **1501** and **1503** to frame **1502**. Scales **1501** and **1503** ride over the sides of frame **1502** as a free cap or cover.

Automatically opening tool **1500** includes knife **708**, spring **709** and notched shaft **720**, as in tool **700**. However, the nature and arrangement of sear **704** and spring **705** are modified, as are the slots in which they are positioned. Scale **1501** includes a rear attachment member **1551**, which can be a post, hook, wire, or otherwise. Rear attachment member **1551** extends through a slot **1515** in frame **1502** and can attach to a spring, which urges scale **1501** in the distal, forward direction or to a corresponding member to secure scale **1501** in sliding engagement against frame **1502**. A forward attachment member **1552** extends through a forward slot **1516** in frame **1502** and can attach to a sear **704'**, which can be similar to sear **704**. Alternatively, sear **704'** can be coupled to a spring, similar to sear **4** of FIG. **1**. Because rear slot **1515** and forward slot **1516** are narrow, the attachment of scale **1501** through these slots retains scale **1501** in sliding engagement to frame **1502**. Members **1553** and **1554** can be used to secure scale **1503** to frame **1502**. As will be apparent to those familiar with the art, other arrangements with a cap-like scale that covers substantially all the sides of the frame and exposes substantially none of the frame sides is also acceptable.

FIG. **17** depicts a selectively lockable tool **1700**, in accordance with still another embodiment of the invention. Tool **1700** is similar to tools **600** and **900**, in that a base **1750**

of a blade **1708** comprises a portion of the locking and release mechanism. Tool **1700** includes a U-shaped frame **1702**, with a pair of sidewalls **1703**, that can be similar to the frames of the other embodiments of the invention. Frame **1702** can be unitary or assembled from multiple pieces. Sidewalls **1703** form a tool receiving slot **1704** therebetween.

In a retracted configuration, blade **1708** is received within slot **1704** and pivotably coupled to frame **1702** with a shaft **1720**. Base **1750** includes a shaft receiving through hole **1751**. A complementary shaft receiving hole **1752** is formed through one or both sidewalls **1703**. In one embodiment of the invention, shaft **1720** is formed as a two-piece shaft **1720a** and **1720b**. Portion **1720a** is preferably a keyed pivot barrel, with portion **1720b** as a complementary pivot screw. Together, they act to pivotably secure blade **1708** to frame **1702**.

Base **1750** includes a groove **1760** formed therethrough. A stop pin **1770** is positioned through groove **1760** and is located between walls **1703** of frame **1702**. Groove **1760** is partially circular, and concentric with hole **1751** through base **1750**. Thus, as blade **1708** extends and retracts between the open and closed positions, stop pin **1770** rides in groove **1760**. The ends of groove **1760** act to stop blade **1708** from further rotation and help properly position blade **1708** in the retracted or extended configurations.

Tool **1700** includes an optional and removable coil spring **1709**, which can be located around shaft **1720**. Coil spring **1709** includes a first end **1709a**, which is received in a corresponding hole in frame **1702**, to secure spring **1709** to frame **1702**. A second end **1709b** is received in a hole **1725** through base **1750**. Spring **1709** can be enclosed in a pair of cap/bushings **1709c**. The second half of the pair may be placed on the other side of blade **1708** (not enclosing spring **1709**), in order to ensure centered alignment of blade **1708** in channel **1704**. In another embodiment of the invention, spring **1709** is removed and tool **1700** is opened manually, such as with a flick of the wrist. In another embodiment of the invention, spring **1709** is removed or replaced, as desired, to switch tool **1700** between an automatically opening tool, and a manually opening tool. One or more washers (not shown) can be used to take the position of spring **1709** if said spring is not included.

At least one of the walls **1703** of frame **1702** includes a spring receiving slot **1706**. A compression spring **1705** resides in slot **1706**. A pin **1707**, which can be in the form of a torx screw secured to an inside surface of scale **1701**, rides in slot **1706**. An inward end of pin **1707** extends into slot **1706** and is biased in the forward position by spring **1705**. In this manner, because pin **1707** is secured to scale **1701**, spring **1705** biases scale **1701** to the forward position. However, scale **1701** can be manually slid rearwards along the longitudinal axis against the force of spring **1705** to unlock tool **1700**.

With blade **1708** in the locked, extended configuration, a release pin **1780** interfaces with the flat tang catch surface as part of a notch **1721**, thus preventing blade **1708** from rotating into the closed configuration. Release pin **1780** is secured to the inner surface of scale **1701**. For example, pin **1780** can be in the form of a shaft extending from a base **1790**. Base **1790** can fit into a recess formed in the inner surface of scale **1701** and can be secured with a torx screw **1791**. To close tool **1700**, scale **1701** is retracted rearwards along the longitudinal axis, which moves release pin **1780** rearwards, out of a position in notch **1721**, where it had locked blade **1708** in the open configuration, and blade **1708** can be rotated closed by hand. Release pin **1780** can slide

forward into camming engagement against base **1750**. As blade **1708** rotates further, pin **1780** will slide into a second groove/notch **1722** in base **1750**, to lock blade **1708** in a closed configuration.

To unlock blade **1708**, scale **1701** is slidably retracted against the forward force of spring **1705**, which retracts release pin **1780** out of notch **1722**. In the manual embodiment, blade **1708** can be swung out of slot **1704**, into the open configuration, wherein pin **1780** can be locked into notch **1721**. In the automatic embodiment, spring **1709** biases blade **1708** into the open configuration and pin **1780** can ride against or behind base **1750** until scale **1701** is released and locks pin **1780** into notch **1721**.

While the above description contains many specifics, these specifics should not be construed as limitations of the invention, but merely as exemplifications of preferred embodiments thereof. Those skilled in the art will envision many other embodiments within the scope and spirit of the invention as defined by the claims appended hereto.

Where this application has listed the steps of a method or procedure in a specific order, it may be possible, or even expedient in certain circumstances, to change the order in which some steps are performed, and it is intended that the particular steps of the method or procedure claim set forth herein below not be construed as being order-specific unless such order specificity is expressly stated in the claim.

While the preferred embodiments of the devices and methods have been described in reference to the environment in which they were developed, they are merely illustrative of the principles of the inventions. Modification or combinations of the above-described assemblies, other embodiments, configurations, and methods for carrying out the invention, and variations of aspects of the invention that are obvious to those of skill in the art are intended to be within the scope of the claims.

What is claimed is:

1. A lockable tool, comprising:

a frame having a rear proximal position, a forward distal position, a forward direction from the proximal position to the distal position, a rear direction from the distal position to the proximal position, and a length along a longitudinal axis, a width perpendicular to the length along a horizontal axis, and a height along a vertical axis perpendicular to the length and the width; the frame having a first wall extending along the longitudinal axis from the rear proximal position to the forward distal position and having a first outside surface facing in the direction of the horizontal axis;

a first scale over the first outside surface of the frame, the first scale slidably mounted and adapted to reciprocate along the frame in the longitudinal direction, and defining an inner space between an inside surface of the first scale and the first outside surface of the frame,

a tool having a distal tip and a proximal base, the base coupled to the frame and the tool displaceable between a closed, retracted configuration wherein tool is enclosed within the inner space and an open extended configuration wherein the distal tip is extended outside the inner space in the forward direction from the proximal position;

the frame and tool configured to form a selectively releasable locking mechanism having at least one projection and at least a first notch and a second notch, the projection selectively and releasably received in the first notch to lock the tool in the extended configuration, and in the second notch to lock the tool in the retracted configuration, and released from the first

17

- notch to unlock the tool from the extended configuration, and released from the second notch to unlock the tool from the retracted configuration;
- the first scale coupled to the locking mechanism, wherein the locking mechanism and first scale are coupled to each other and adapted such that when the projection is in the first notch, sliding the first scale with respect to the frame along the longitudinal axis releases the projection from the first notch and when the projection is in the second notch, sliding the first scale with respect to the frame releases the projection from the second notch.
2. The lockable tool of claim 1, wherein the tool is a knife blade.
3. The lockable tool of claim 1, wherein the tool is a screw driver, comb, corkscrew or file.
4. The lockable tool of claim 1, wherein the tool is pivotably coupled to the frame with a shaft and is biased into the open extended configuration with a resilient member coupled to the tool and frame and adapted to urge the tool to rotate from the retracted configuration to the extended configuration, wherein sliding the first scale with respect to the frame when the tool is locked in the retracted configuration causes the tool to be urged from the retracted configuration to the extended configuration.
5. The lockable tool of claim 1, wherein the tool is a knife blade and the first and second notches are formed in the base.
6. The lockable tool of claim 5, wherein the projection is attached directly to the first scale and a resilient scale urging member biases the first scale in the forward direction.
7. The lockable tool of claim 1, wherein the tool is a knife blade pivotably coupled to the frame with a shaft and is biased into the open extended configuration with a resilient member coupled to the tool and frame, the resilient member adapted to urge the tool to rotate from the retracted to the extended configuration, the first and second notches are formed in the base, the projection is attached directly to the first scale, and a resilient scale urging member biases the first scale in the forward direction, whereby sliding the first scale in the rearward direction unlocks the locking mechanism.
8. The lockable tool of claim 6, wherein the frame includes a recess, the first scale includes a post, and the scale urging member comprises a spring located in the recess, the first scale, recess and post configured, arranged and adapted such that sliding the first scale in the rearward direction compresses the spring.
9. The lockable tool of claim 1, wherein the first scale completely covers the first outside surface of the first wall from the horizontal perspective and the distal tip of the tool does not extend past either the frame or the first scale in the retracted position.
10. The lockable tool of claim 1, wherein a top edge and a bottom edge of the first outside surface include inwardly projecting ridges, a top edge and a bottom edge of the first scale include a concave groove, and the inwardly projecting ridges nest in the concave grooves to slidably retain the first scale to the frame.
11. The lockable tool of claim 1, wherein the tool is a knife blade, coupled to the frame and a biasing member, and the biasing member is adapted to automatically extend the blade from the inner space in the forward direction as an out-the-front knife, when the first scale is moved in the longitudinal direction with respect to the frame.
12. The lockable tool of claim 1, wherein the tool is a knife blade, coupled to the frame with a rotatable shaft and the rotatable shaft is coupled to a spring and the spring biases the knife blade into the open configuration.

18

13. The lockable tool of claim 12, wherein the first and second notches are formed in the shaft.
14. The lockable tool of claim 13, wherein the projection is in the form of a sear, resiliently urged into the shaft.
15. A lockable tool, comprising:
- a frame having a length along a longitudinal axis, a width perpendicular to the length along a horizontal axis, and a height perpendicular to the length and width along a vertical axis, the frame having a first wall extending along the longitudinal axis from a rear proximal position to a forward distal position and having a first outside surface facing in the direction of the horizontal axis;
 - a first scale mounted at the first outside surface in a sliding arrangement along the longitudinal axis;
 - a tool having a distal tip and a proximal base coupled to the frame and displaceable between a closed, retracted configuration wherein the distal tip points towards the rear proximal direction and an open extended configuration wherein the distal tip points towards the forward distal direction;
 - a rotatable shaft mounted on the frame, the tool coupled to the shaft, the shaft having a stepped configuration with a major diameter and a minor diameter, smaller than the major diameter, the major diameter portion of the shaft includes a pair of symmetric V-shaped notches on opposite sides thereof and the minor diameter portion of the shaft extends through the base of the tool, to pivotally couple the tool to the frame;
- the V-shaped notches being part of a selectively releasable locking mechanism coupled to the first scale and adapted to selectively lock the tool in the extended configuration and in the retracted configuration and to unlock the tool when the locking mechanism is released by sliding the first scale along the longitudinal axis.
16. The lockable tool of claim 15, wherein:
- the first outside surface of the frame defines a groove having a top edge and a bottom edge, the top edge and bottom edge extend away from the first outside surface, and an end of the top edge and an end of the bottom edge extend towards each other, wherein a base of the groove at the first outside surface is taller in the height direction than a far portion of the groove, defined by the ends of the top edge and bottom edge.
17. The lockable tool of claim 16, wherein the first scale has a scale base positioned at the base of the groove and an outer portion located at the ends of the top edge and the bottom edge of the first outside surface, and the scale base is wider than the outer portion of the scale, wherein the ends of the top edge and the bottom edge retain the first scale to the frame in the horizontal direction.
18. The lockable tool of claim 15, wherein the tool is a knife blade.
19. The lockable tool of claim 18, wherein a resilient biasing member is coupled to the rotatable shaft to bias the tool into the open extended configuration, whereby sliding the first scale to unlock the locking mechanism causes the tool in the closed configuration to automatically open to the extended configuration.
20. A lockable tool, comprising:
- a frame having a length along a longitudinal axis, a width perpendicular to the length along a horizontal axis, and a height perpendicular to the length and width along a vertical axis, the frame having a first wall extending along the longitudinal axis from a rear proximal position

tion to a forward distal position and having a first outside surface facing in the direction of the horizontal axis;

a first scale mounted over the first wall-in a sliding arrangement along the longitudinal axis; 5

a tool having a distal tip and a proximal base coupled to the frame and displaceable between a closed, retracted configuration wherein the distal tip is covered by the first scale and an open extended configuration wherein the distal tip points extends in the forward direction 10 from the frame and first scale;

releasable lock means for locking and unlocking the tool coupled to the scale and tool to selectively lock the tool in either the extended or in the retracted configurations when the lock means is in a locking position, and for 15 unlocking the tool to permit the tool to be displaced between the extended and retracted configurations, by sliding the scale along the longitudinal axis.

* * * * *