



US00D625997S

(12) **United States Design Patent**
Lee

(10) **Patent No.:** **US D625,997 S**

(45) **Date of Patent:** **** Oct. 26, 2010**

(54) **SPOUT FOR PACKAGING CONTAINER**

(75) Inventor: **Chung Kee Lee**, Seoul (KR)

(73) Assignee: **Chong Woo Co., Ltd.** (KR)

(**) Term: **14 Years**

(21) Appl. No.: **29/311,798**

(22) Filed: **Jun. 26, 2009**

Related U.S. Application Data

(63) Continuation-in-part of application No. 29/295,703, filed on Oct. 4, 2007, now abandoned.

(51) **LOC (9) Cl.** **09-07**

(52) **U.S. Cl.** **D9/448**

(58) **Field of Classification Search** D9/456,
D9/455, 448, 447, 445, 438, 434, 763, 772;
D7/605, 387, 213; D3/211, 207; D23/226;
40/307; 239/333, 331; 222/635, 631, 566,
222/321.9, 321.8, 321.7, 320, 251; 220/915,
220/269, 268, 258.5

See application file for complete search history.

(56) **References Cited**

U.S. PATENT DOCUMENTS

D219,124 S * 11/1970 Gortz D9/687
D297,305 S 8/1988 Rudick et al.
4,889,262 A * 12/1989 Toms 222/153.13
5,449,094 A * 9/1995 Behar et al. 222/321.3

D414,697 S * 10/1999 Sayers D9/448
D416,489 S * 11/1999 Sayers D9/448
D532,300 S 11/2006 Moretti
D532,302 S 11/2006 Moretti
D567,651 S 4/2008 Bloc
D569,724 S 5/2008 Bloc et al.
D575,153 S 8/2008 Caroen et al.

* cited by examiner

Primary Examiner—Susan Bennett Hattan

(74) *Attorney, Agent, or Firm*—Cantor Colburn LLP

(57) **CLAIM**

I claim, the ornamental design for a spout for packaging container, as shown and described.

DESCRIPTION

FIG. 1 is a perspective view of a spout for packaging container, showing my new design;
FIG. 2 is a front elevational view thereof;
FIG. 3 is a rear elevational view thereof;
FIG. 4 is a top plan view thereof;
FIG. 5 is a left side elevational view thereof;
FIG. 6 is a vertical sectional view thereof taken in the direction of line 6—6 on FIG. 4;
FIG. 7 is a right side elevational view thereof;
FIG. 8 is a bottom plan view thereof; and,
FIG. 9 is a perspective view seen from the bottom thereof.

1 Claim, 9 Drawing Sheets

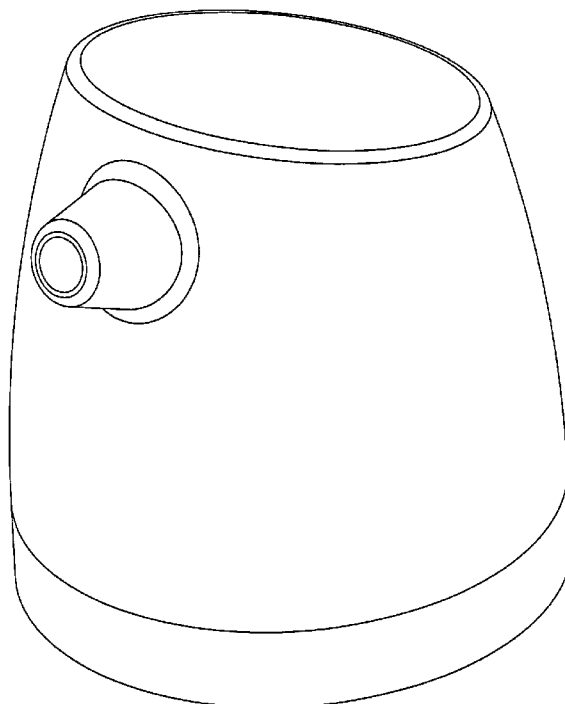


FIGURE 1

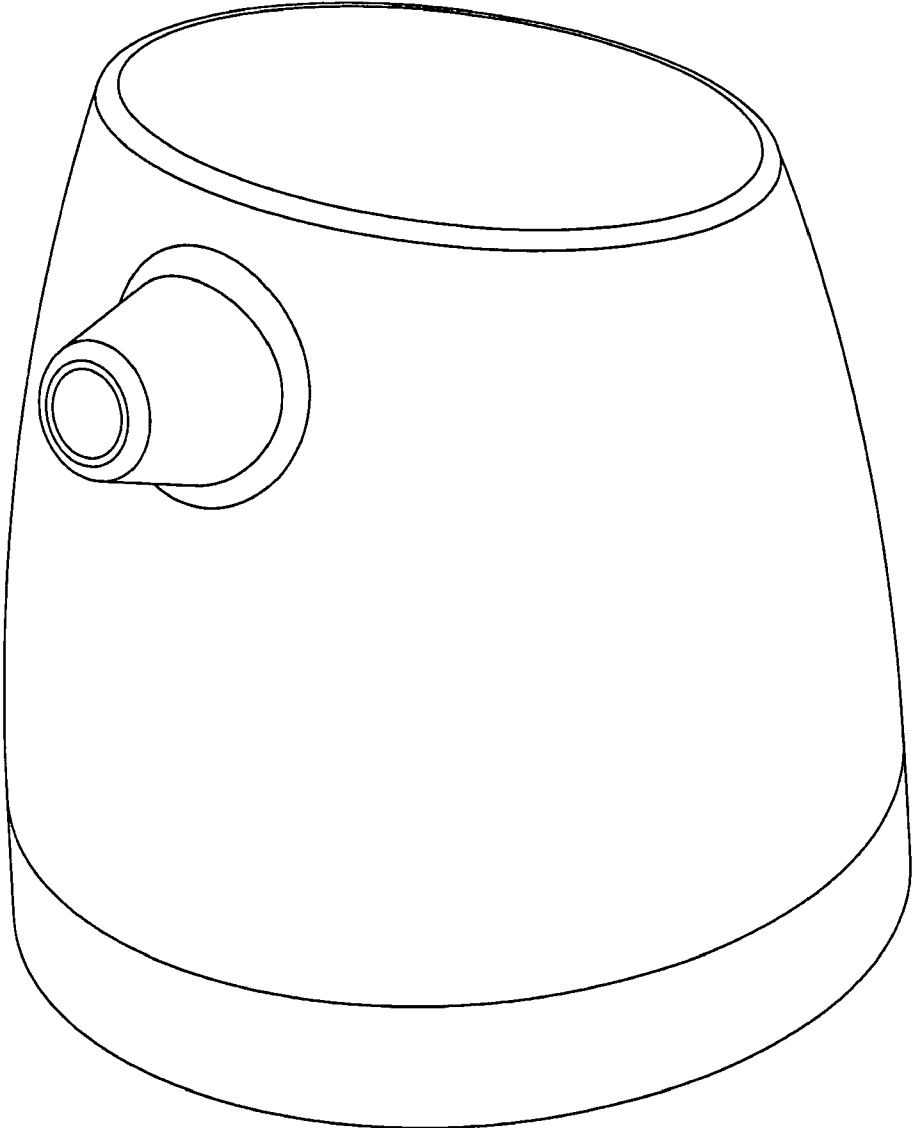


FIGURE 2

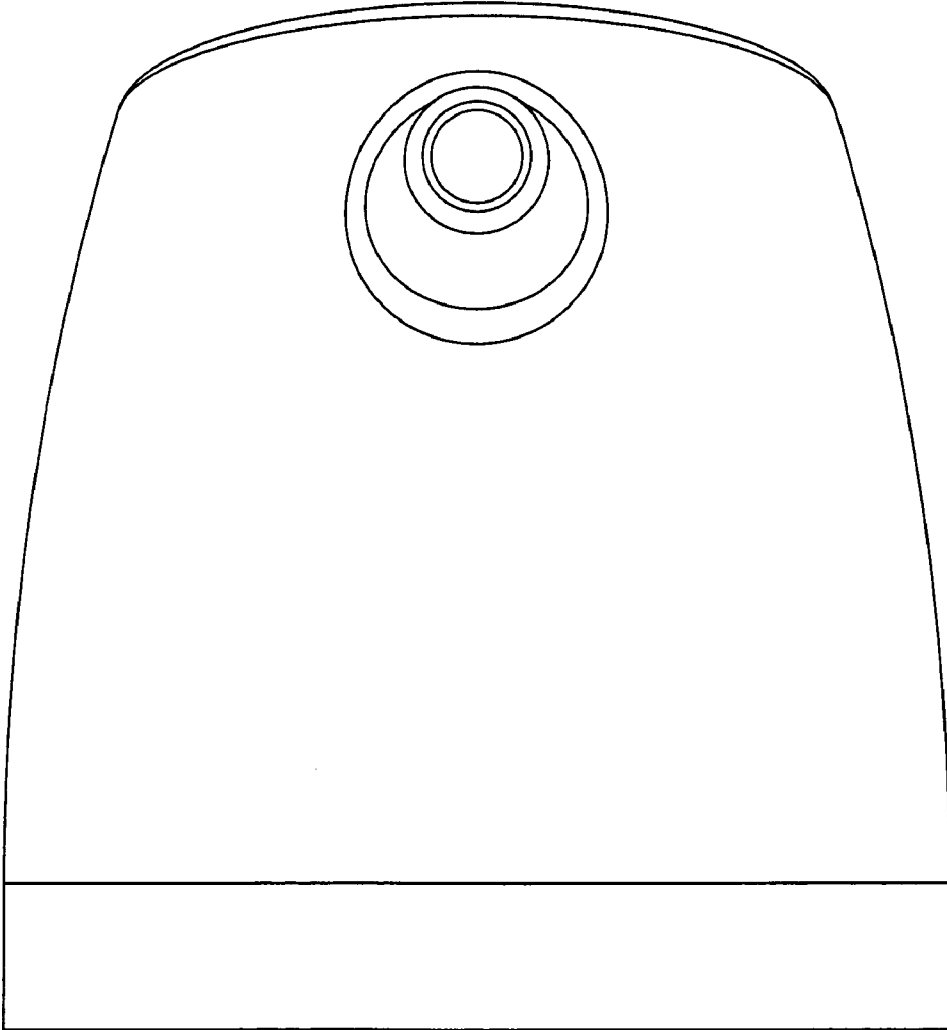


FIGURE 3

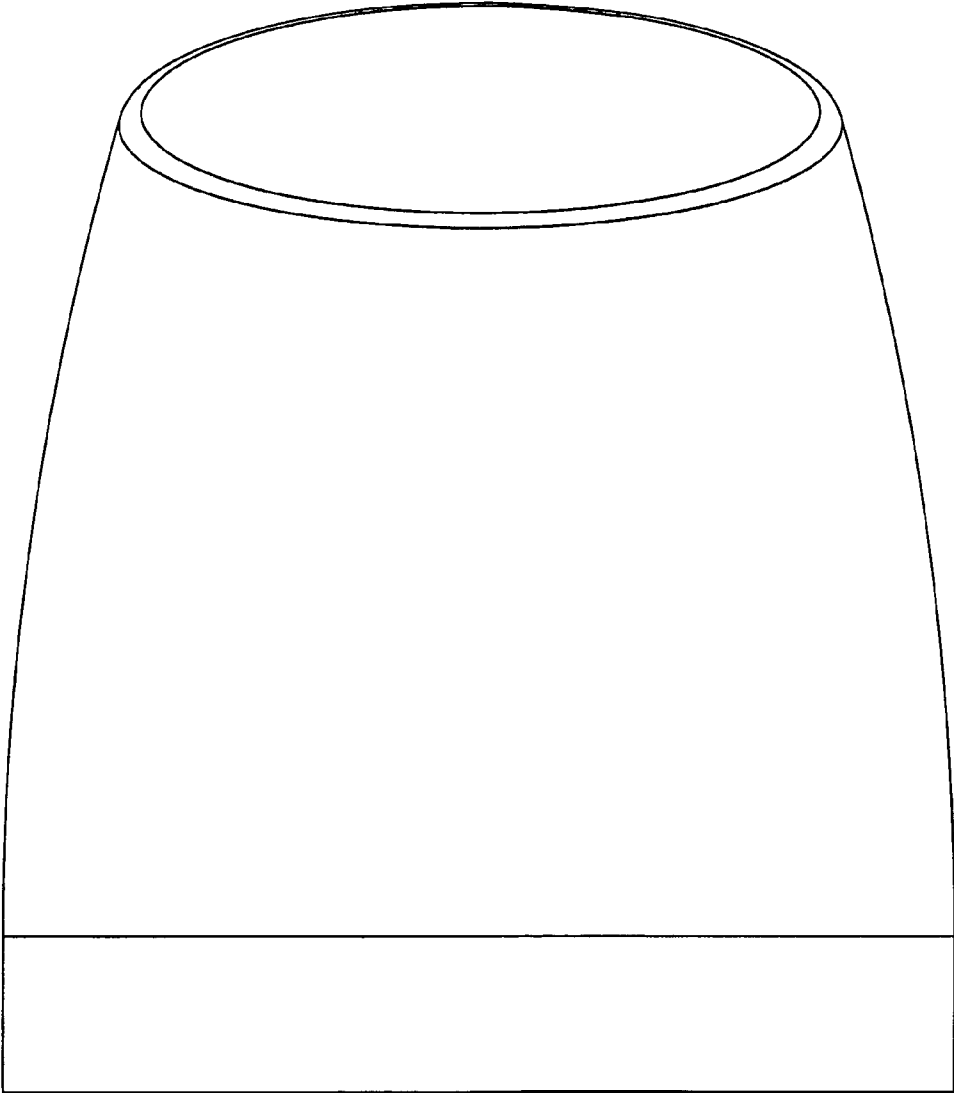


FIGURE 4

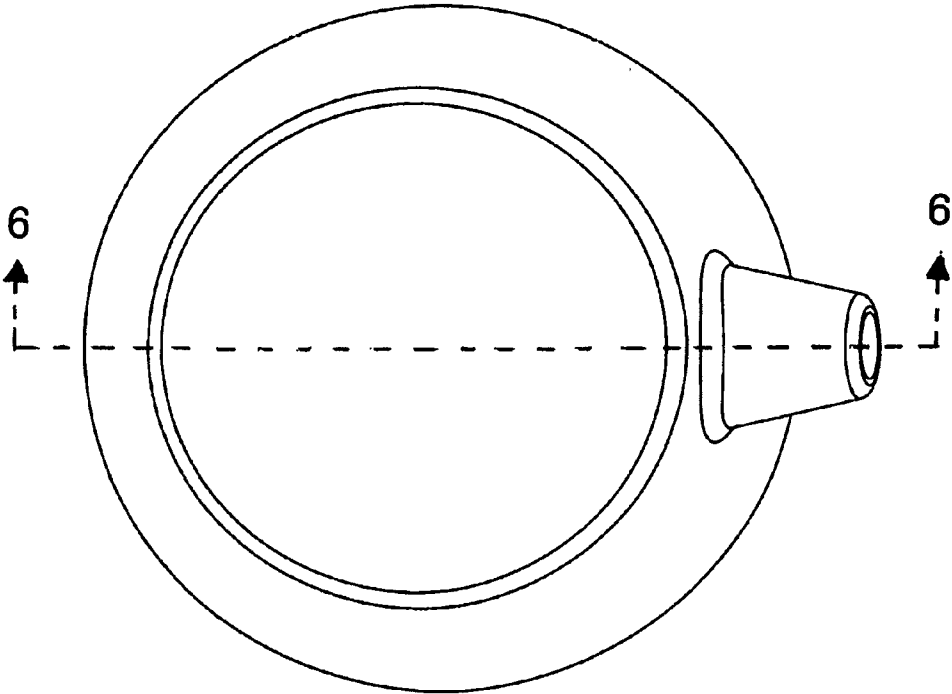


FIGURE 5

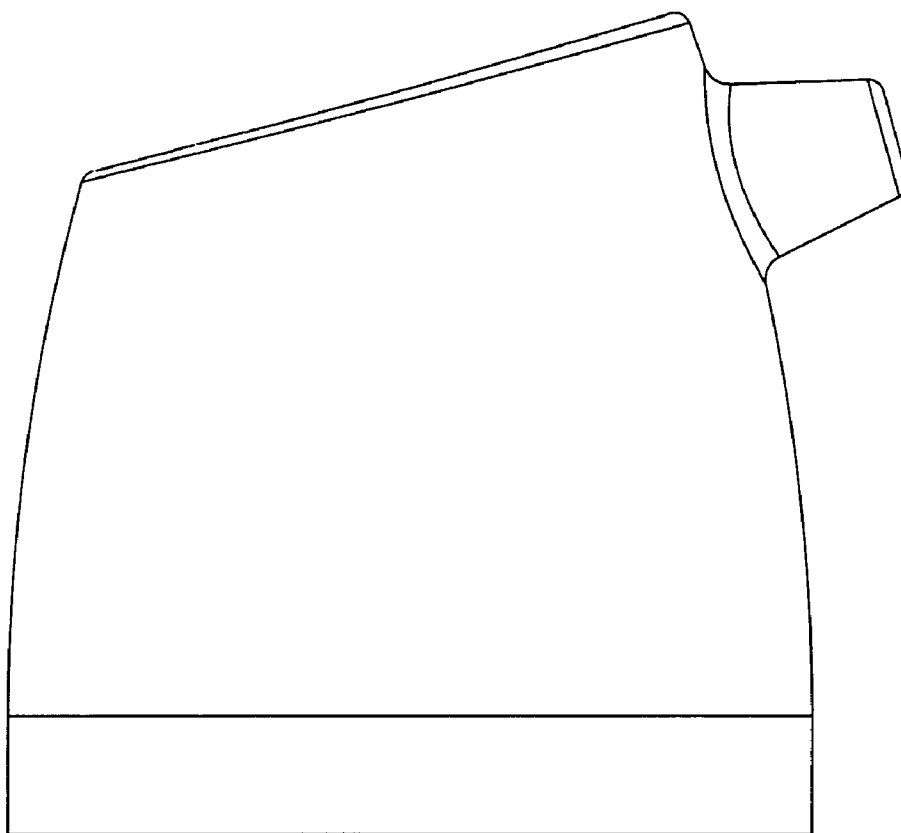


FIGURE 6

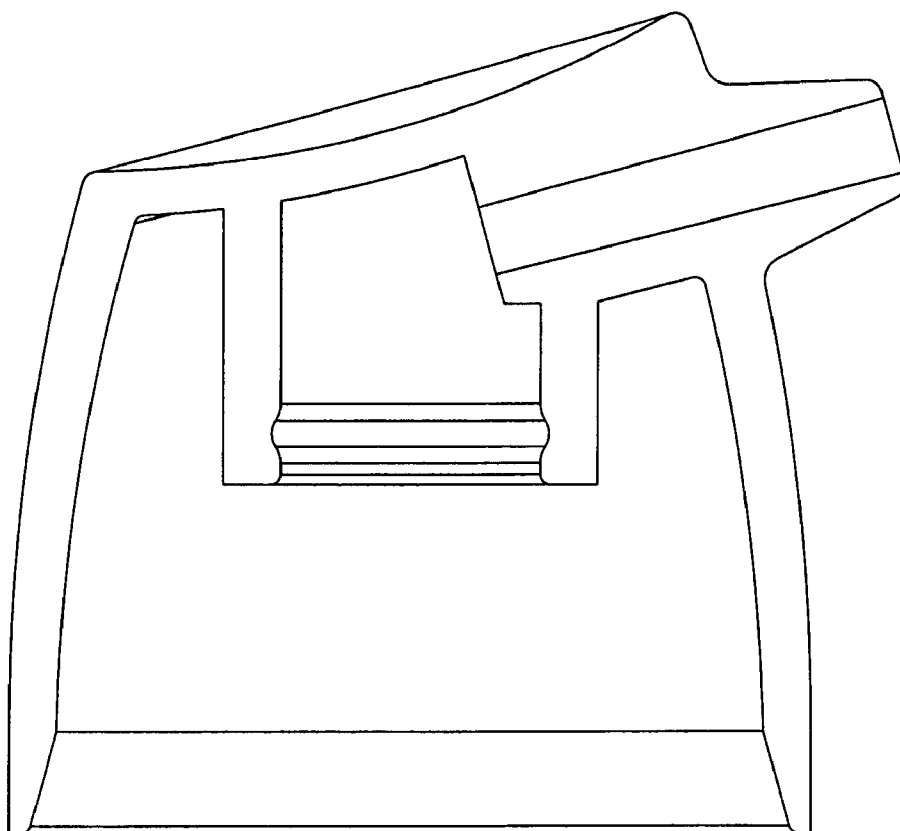


FIGURE 7

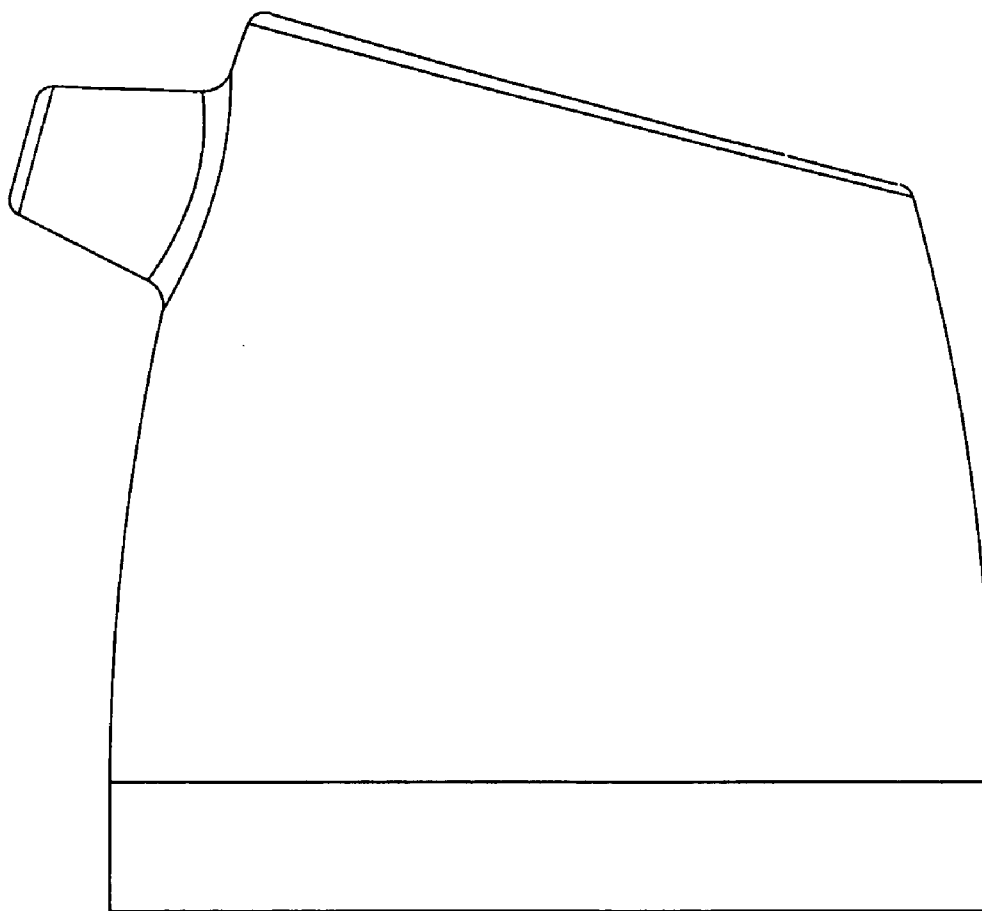


FIGURE 8

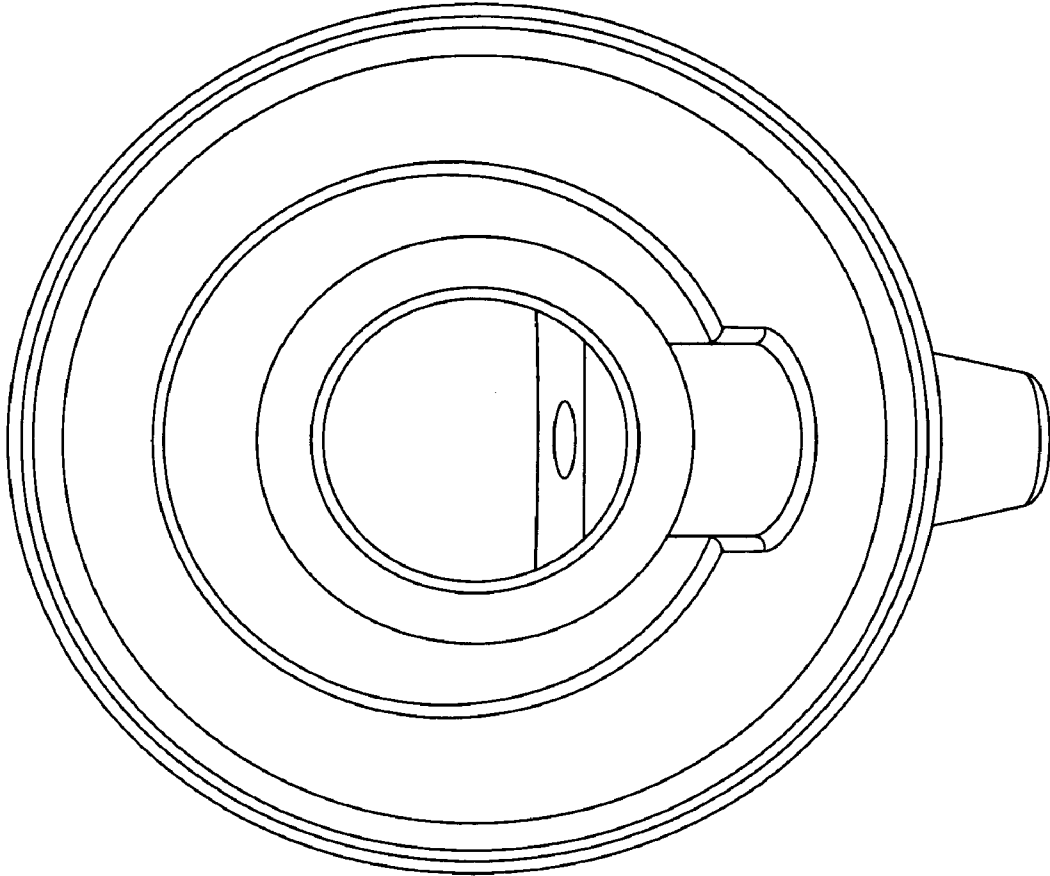


FIGURE 9

