



(12) **EUROPEAN PATENT APPLICATION**

(88) Date of publication A3:
25.01.2006 Bulletin 2006/04

(51) Int Cl.:
H04R 3/00 (2006.01)

(43) Date of publication A2:
06.07.2005 Bulletin 2005/27

(21) Application number: **04257817.9**

(22) Date of filing: **15.12.2004**

(84) Designated Contracting States:
**AT BE BG CH CY CZ DE DK EE ES FI FR GB GR
HU IE IS IT LI LT LU MC NL PL PT RO SE SI SK TR**
Designated Extension States:
AL BA HR LV MK YU

(72) Inventor: **Fuke, Nobuo**
Shinagawa-ku
Tokyo (JP)

(30) Priority: **17.12.2003 JP 2003419888**

(74) Representative: **Smith, Samuel Leonard**
J.A. Kemp & Co.,
14 South Square,
Gray's Inn
London WC1R 5JJ (GB)

(71) Applicant: **SONY CORPORATION**
Tokyo 141 (JP)

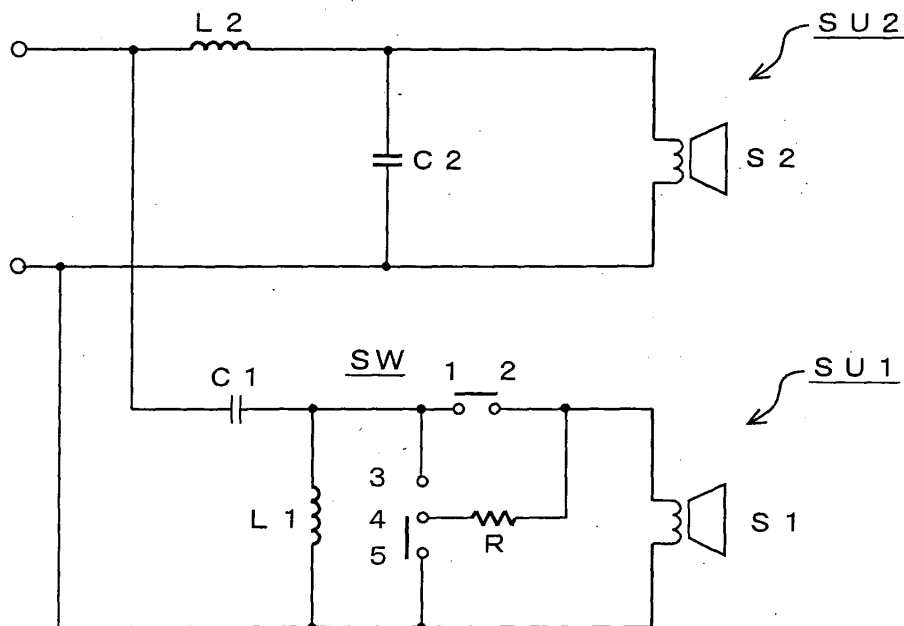
(54) **Speaker system**

(57) In a speaker system having plural speaker units, at least one of the plural speaker units has one resistor for level adjustment that is positioned between terminals of a speaker and a switch for switching connection circuits for connecting the resistor for level adjustment with the

speaker. The resistor for level adjustment is connected with the speaker in series or parallel by the switch when performing the level adjustment. The speaker system can get two species of adjustment curves by using one resistor for level adjustment.

FIG. 5

100





DOCUMENTS CONSIDERED TO BE RELEVANT			
Category	Citation of document with indication, where appropriate, of relevant passages	Relevant to claim	CLASSIFICATION OF THE APPLICATION (IPC)
D,X	JP 56 015531 U (TEIKOKU TSUHIN KOGYO CO.LTD) 10 February 1981 (1981-02-10) * figure 1 *	1,2	H04R3/00
D,X	JP 54 180727 U (TOA TOKUSHU DENNKI CO.LTD) 21 December 1979 (1979-12-21) * figure 1 *	1,2	
A	US 4 363 934 A (SCHOLZ ET AL) 14 December 1982 (1982-12-14) * figures 1-3 *	1,2	
A	PATENT ABSTRACTS OF JAPAN vol. 008, no. 004 (E-220), 10 January 1984 (1984-01-10) & JP 58 170196 A (MATSUSHITA DENKI SANGYO KK), 6 October 1983 (1983-10-06) * abstract; figure 1 *	1,2	
			TECHNICAL FIELDS SEARCHED (IPC)
			H04R H03H
The present search report has been drawn up for all claims			
Place of search		Date of completion of the search	Examiner
The Hague		2 December 2005	Brandt, I
<p>CATEGORY OF CITED DOCUMENTS</p> <p>X : particularly relevant if taken alone Y : particularly relevant if combined with another document of the same category A : technological background O : non-written disclosure P : intermediate document</p> <p>T : theory or principle underlying the invention E : earlier patent document, but published on, or after the filing date D : document cited in the application L : document cited for other reasons & : member of the same patent family, corresponding document</p>			

2
EPO FORM 1503 03.02 (P04/C01)

**ANNEX TO THE EUROPEAN SEARCH REPORT
ON EUROPEAN PATENT APPLICATION NO.**

EP 04 25 7817

This annex lists the patent family members relating to the patent documents cited in the above-mentioned European search report. The members are as contained in the European Patent Office EDP file on The European Patent Office is in no way liable for these particulars which are merely given for the purpose of information.

02-12-2005

Patent document cited in search report	Publication date	Patent family member(s)	Publication date
JP 56015531 U	10-02-1981	NONE	
JP 54180727 U	21-12-1979	JP 59003673 Y2	01-02-1984
US 4363934 A	14-12-1982	GB 2079087 A	10-02-1982
JP 58170196 A	06-10-1983	NONE	

EPO FORM P0459

For more details about this annex : see Official Journal of the European Patent Office, No. 12/82