



US0D1035783S

(12) **United States Design Patent**
Dou

(10) **Patent No.:** **US D1,035,783 S**

(45) **Date of Patent:** **** Jul. 16, 2024**

(54) **ELECTRIC SCOOTER**

(71) Applicant: **Yadea Technology Group Co., Ltd,**
Wuxi (CN)

(72) Inventor: **Wenbo Dou, Wuxi (CN)**

(**) Term: **15 Years**

(21) Appl. No.: **35/518,694**

(22) Filed: **Aug. 17, 2023**

(80) **Hague Agreement Data**

Int. Filing Date: **Aug. 17, 2023**
Int. Reg. No.: **DM/231705**
Int. Reg. Date: **Aug. 17, 2023**
Int. Reg. Pub. Date: **Oct. 20, 2023**

(30) **Foreign Application Priority Data**

Jul. 31, 2023 (CN) 202330480790.8

(51) **LOC (14) Cl.** **21-01**

(52) **U.S. Cl.**
USPC **D21/423**

(58) **Field of Classification Search**
USPC D12/111, 117; D21/412, 414, 419,
D21/423-428, 431-435
CPC ... B62K 3/00; B62K 3/02; B62K 3/06; B62K
11/00; B62K 11/02; B62K 11/04; B62K
11/10; B62K 17/00; B62K 19/00; B62K
2202/00
See application file for complete search history.

(56) **References Cited**

U.S. PATENT DOCUMENTS

4,842,091 A * 6/1989 Badsey B62K 3/002
180/181
D818,541 S * 5/2018 Huang D21/423
D839,358 S * 1/2019 Cao D21/423
10,189,533 B2 * 1/2019 Lovley, II B62K 11/02

D911,454 S * 2/2021 Yang D21/423
D916,985 S * 4/2021 Wu D21/423
D917,626 S * 4/2021 Ye D21/423
D919,712 S * 5/2021 Gao D21/423
D922,306 S * 6/2021 Dongfang D12/423
D923,103 S * 6/2021 Zheng D21/423
D923,104 S * 6/2021 Zheng D21/423
D923,715 S * 6/2021 Wang D21/423
D926,890 S * 8/2021 Lu D21/423
D940,251 S * 1/2022 Wang D21/423
D940,252 S * 1/2022 Deng D21/423
D941,929 S * 1/2022 Huang B60K 17/043
D21/423
D943,677 S * 2/2022 Ying D21/423
D956,143 S * 6/2022 Xie D21/423
D957,532 S * 7/2022 Wang D21/423

(Continued)

OTHER PUBLICATIONS

“Yadea ElitePrime.” Deals Therapy., Apr. 21, 2023 [online], [retrieved on Apr. 26, 2024]. Retrieved from the Internet <URL: <https://www.dealstherapy.com/product/yadea-eliteprime/>>.*

(Continued)

Primary Examiner — Darlington Ly

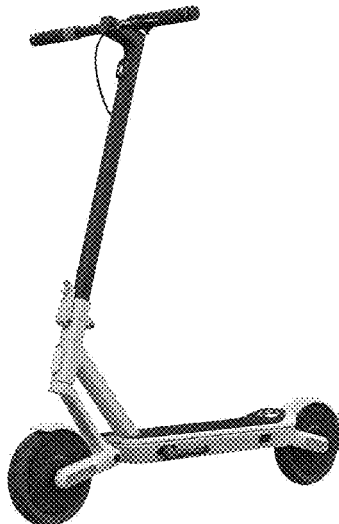
(57) **CLAIM**

The ornamental design for an electric scooter, as shown and described.

DESCRIPTION

1. Electric scooter
1.1 is a left-side elevation view of an electric scooter embodying my new design;
1.2 is a right-side elevation view thereof;
1.3 is a front elevation view thereof;
1.4 is a rear elevation view thereof;
1.5 is a top plan view thereof;
1.6 is a bottom plan view thereof;
1.7 is a top, front and left-side perspective view thereof; and
1.8 is a top, rear and left-side perspective view thereof.

1 Claim, 8 Drawing Sheets



(56)

References Cited

U.S. PATENT DOCUMENTS

D964,473	S	*	9/2022	Lu	D21/423
D965,067	S	*	9/2022	Ying	D21/423
D972,652	S	*	12/2022	Wu	D21/423
D974,484	S	*	1/2023	Ying	D21/423
D977,018	S	*	1/2023	Lu	D21/423
D982,090	S	*	3/2023	Chen	D21/423
D982,670	S	*	4/2023	Zhu	D21/423
D994,036	S	*	8/2023	Cao	D21/423
D999,834	S	*	9/2023	Peng	D21/423
D1,004,001	S	*	11/2023	Chen	D21/423
D1,024,213	S	*	4/2024	Yang	D21/423
D1,024,214	S	*	4/2024	Huang	D21/423
2004/0079571	A1	*	4/2004	Laver	B62M 6/60 180/180

OTHER PUBLICATIONS

“Yadea Elite Prime is an electric scooter . . . repair themselves and resist punctures.” Gear Rice., Apr. 29, 2023 [online], [retrieved on

Apr. 26, 2024]. Retrieved from the Internet <URL: <https://www.gearrice.com/update/yadea-elite-prime-is-an-electric-scooter-with-tires-that-repair-themselves-and-resist-punctures/>>.*

“Yadea Elite Prime E-Scooter Launched . . . and Effortless Folding Mechanism.” Auto Evolution., Apr. 28, 2023 [online], [retrieved on Apr. 26, 2024]. Retrieved from the Internet <URL: <https://www.autoevolution.com/news/yadea-elite-prime-e-scooter-launched-with-a-light-frame-and-effortless-folding-mechanism-214171.html>>.*

“Xiaomi Mi Pro 2 Mercedes-AMG Petronas F1 Electric Scooter European Version.” Tech Punt., Feb. 8, 2021 [online], [retrieved on Apr. 26, 2024]. Retrieved from the Internet <URL: <https://www.techpunt.nl/en/xiaomi-mi-pro-2-mercedes-amg-petronas-f1-electric.html>>.*

“Adea Electric Scooter Adults, Foldable Commuting Electric Scooters KS5&KS3, . . . Dual Shock Absorption, Front Suspension.” Amazon., Jun. 7, 2022 [online], [retrieved on Apr. 26, 2024]. Retrieved from the Internet <URL: <https://www.amazon.com/YADEA-Commuting-Adjustable-Absorption-Suspension/dp/B0B3F9X8NN>>.*

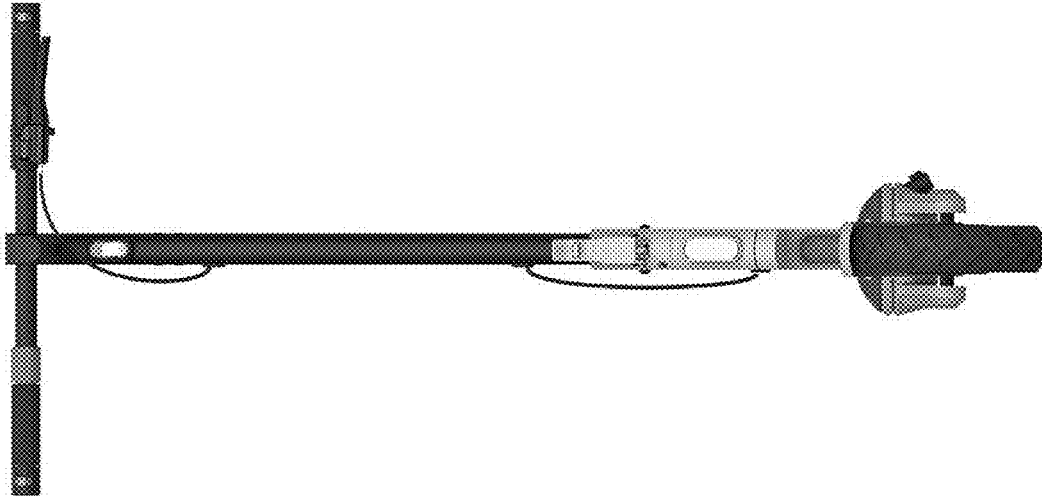
* cited by examiner



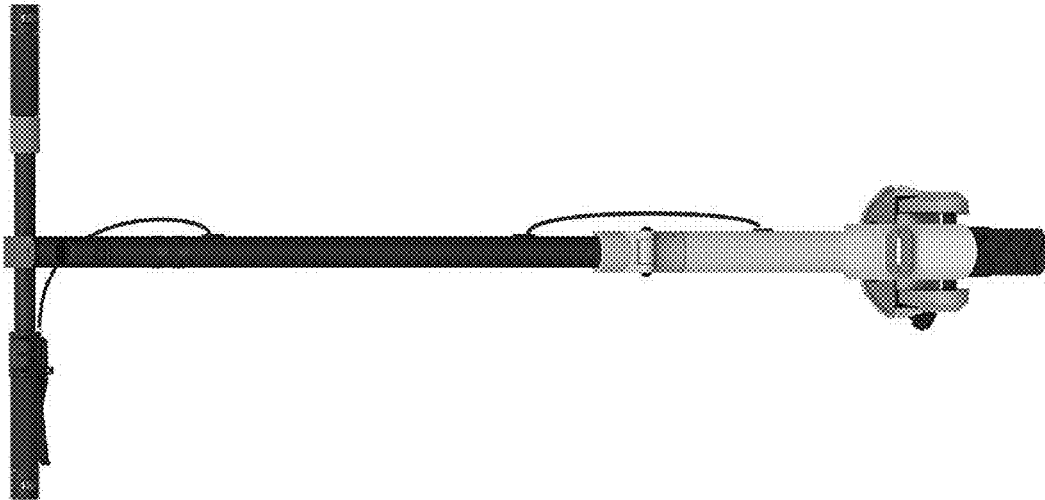
1.1



1.2



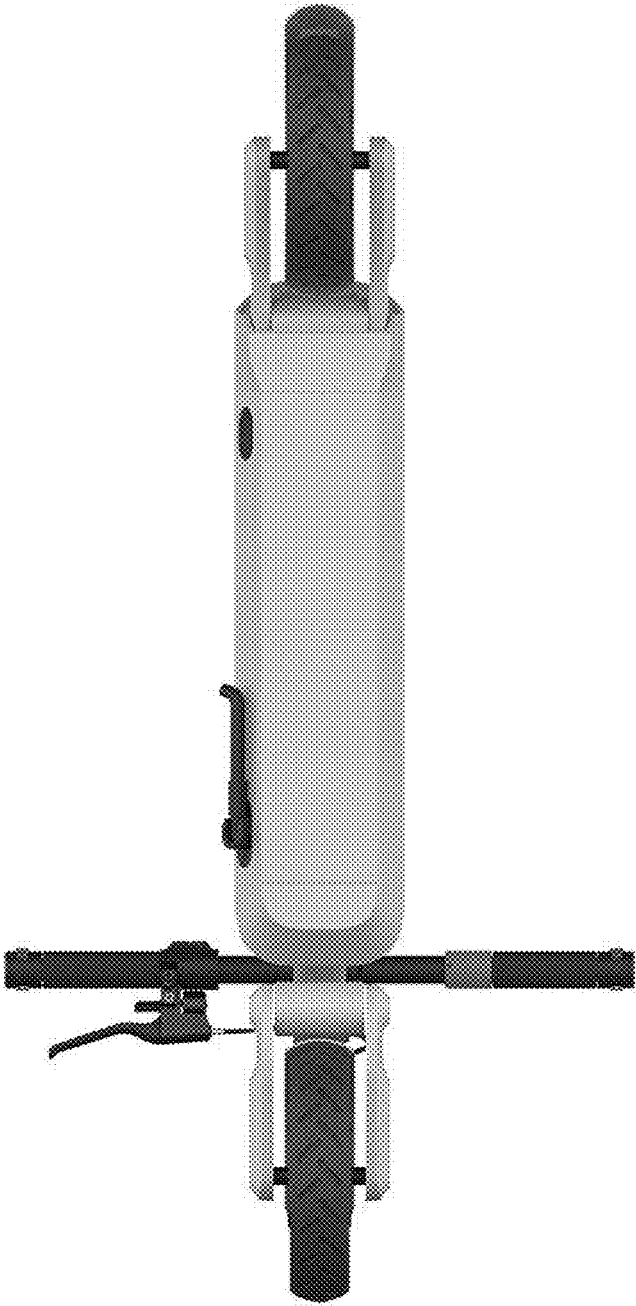
1.3



1.4



1.5





1.7



1.8