



(51) International Patent Classification:  
*E01F 15/14* (2006.01)

**WIEGEL, Aaron**; 8900 N Arbon Drive, Milwaukee, Wisconsin 53223 (US).

(21) International Application Number:  
PCT/US2022/049600

(74) Agent: **SALMON, Scott D.**; 150 S. Wacker Drive, Suite 2200, Chicago, Illinois 60606 (US).

(22) International Filing Date:  
10 November 2022 (10.11.2022)

(81) Designated States (*unless otherwise indicated, for every kind of national protection available*): AE, AG, AL, AM, AO, AT, AU, AZ, BA, BB, BG, BH, BN, BR, BW, BY, BZ, CA, CH, CL, CN, CO, CR, CU, CV, CZ, DE, DJ, DK, DM, DO, DZ, EC, EE, EG, ES, FI, GB, GD, GE, GH, GM, GT, HN, HR, HU, ID, IL, IN, IQ, IR, IS, IT, JM, JO, JP, KE, KG, KH, KN, KP, KR, KW, KZ, LA, LC, LK, LR, LS, LU, LY, MA, MD, MG, MK, MN, MW, MX, MY, MZ, NA, NG, NI, NO, NZ, OM, PA, PE, PG, PH, PL, PT, QA, RO, RS, RU, RW, SA, SC, SD, SE, SG, SK, SL, ST, SV, SY, TH, TJ, TM, TN, TR, TT, TZ, UA, UG, US, UZ, VC, VN, WS, ZA, ZM, ZW.

(25) Filing Language: English

(26) Publication Language: English

(30) Priority Data:  
63/278,948 12 November 2021 (12.11.2021) US  
63/357,366 30 June 2022 (30.06.2022) US

(71) Applicant: **RITE-HITE HOLDING CORPORATION** [US/US]; 195 S. Rite-Hite Way, Milwaukee, Wisconsin 53204 (US).

(72) Inventors: **DONDLINGER, Jason**; 33779 125th Street, Bellevue, Iowa 52031 (US). **CASEY, Nick**; 114 Whitewater Drive, Cascade, Iowa 52033 (US). **DUESING, Tony**; 32862 Bellevue-Cascade Road, Bellevue, Iowa 52031 (US).

(84) Designated States (*unless otherwise indicated, for every kind of regional protection available*): ARIPO (BW, CV, GH, GM, KE, LR, LS, MW, MZ, NA, RW, SD, SL, ST, SZ, TZ, UG, ZM, ZW), Eurasian (AM, AZ, BY, KG, KZ, RU, TJ, TM), European (AL, AT, BE, BG, CH, CY, CZ, DE,

(54) Title: BARRIER SYSTEMS WITH IMPACT RESISTANT RAILS THAT EXTEND ALONG THE FLOOR

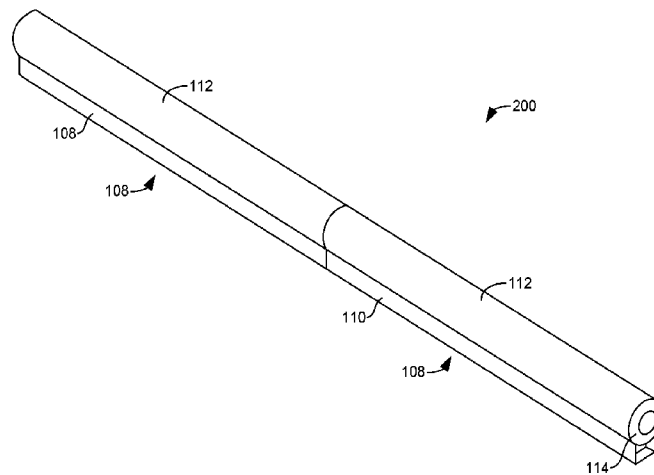


FIG. 2

(57) Abstract: Barrier systems with impact resistant rails that extend along the floor are disclosed. A barrier system includes a base to be anchored to a floor. The base includes sidewalls defining a channel along a length of the base. The barrier system further includes a tube extending along the channel. A bottom edge of the tube to be below top edges of the sidewalls.



WO 2023/086508 A3

DK, EE, ES, FI, FR, GB, GR, HR, HU, IE, IS, IT, LT, LU,  
LV, MC, ME, MK, MT, NL, NO, PL, PT, RO, RS, SE, SI,  
SK, SM, TR), OAPI (BF, BJ, CF, CG, CI, CM, GA, GN,  
GQ, GW, KM, ML, MR, NE, SN, TD, TG).

**Published:**

- *with international search report (Art. 21(3))*
- *before the expiration of the time limit for amending the claims and to be republished in the event of receipt of amendments (Rule 48.2(h))*

**(88) Date of publication of the international search report:**

22 June 2023 (22.06.2023)

**INTERNATIONAL SEARCH REPORT**

International application No  
**PCT/US2022/049600**

**A. CLASSIFICATION OF SUBJECT MATTER**  
**INV. E01F15/14**  
**ADD.**

According to International Patent Classification (IPC) or to both national classification and IPC

**B. FIELDS SEARCHED**

Minimum documentation searched (classification system followed by classification symbols)  
**E01F**

Documentation searched other than minimum documentation to the extent that such documents are included in the fields searched

Electronic data base consulted during the international search (name of data base and, where practicable, search terms used)  
**EPO-Internal, WPI Data**

**C. DOCUMENTS CONSIDERED TO BE RELEVANT**

Category*	Citation of document, with indication, where appropriate, of the relevant passages	Relevant to claim No.
<b>X</b>	<b>EP 0 866 171 A1 (DEMEULENAERE PHILIEP [BE]) 23 September 1998 (1998-09-23) the whole document</b> -----	<b>1, 2, 10, 11, 18, 19</b>
<b>X</b>	<b>CA 2 459 684 A1 (CHASE WYLIE [US]) 5 September 2005 (2005-09-05)</b> -----	<b>1, 2, 9-13, 18-21</b>
<b>A</b>	<b>the whole document</b> -----	<b>3-8</b>
<b>A</b>	<b>US 2018/283040 A1 (MCCUE DAVID S [US] ET AL) 4 October 2018 (2018-10-04) abstract; figures 1, 3</b> -----	<b>12, 20</b>

Further documents are listed in the continuation of Box C.

See patent family annex.

\* Special categories of cited documents :

- "A" document defining the general state of the art which is not considered to be of particular relevance
- "E" earlier application or patent but published on or after the international filing date
- "L" document which may throw doubts on priority claim(s) or which is cited to establish the publication date of another citation or other special reason (as specified)
- "O" document referring to an oral disclosure, use, exhibition or other means
- "P" document published prior to the international filing date but later than the priority date claimed

- "T" later document published after the international filing date or priority date and not in conflict with the application but cited to understand the principle or theory underlying the invention
- "X" document of particular relevance; the claimed invention cannot be considered novel or cannot be considered to involve an inventive step when the document is taken alone
- "Y" document of particular relevance; the claimed invention cannot be considered to involve an inventive step when the document is combined with one or more other such documents, such combination being obvious to a person skilled in the art
- "&" document member of the same patent family

Date of the actual completion of the international search  
**9 March 2023**

Date of mailing of the international search report  
**09/05/2023**

Name and mailing address of the ISA/  
 European Patent Office, P.B. 5818 Patentlaan 2  
 NL - 2280 HV Rijswijk  
 Tel. (+31-70) 340-2040,  
 Fax: (+31-70) 340-3016

Authorized officer  
**Flores Hokkanen, P**

# INTERNATIONAL SEARCH REPORT

International application No.  
PCT/US2022/049600

## Box No. II Observations where certain claims were found unsearchable (Continuation of item 2 of first sheet)

This international search report has not been established in respect of certain claims under Article 17(2)(a) for the following reasons:

1.  Claims Nos.:  
because they relate to subject matter not required to be searched by this Authority, namely:
  
2.  Claims Nos.:  
because they relate to parts of the international application that do not comply with the prescribed requirements to such an extent that no meaningful international search can be carried out, specifically:
  
3.  Claims Nos.:  
because they are dependent claims and are not drafted in accordance with the second and third sentences of Rule 6.4(a).

## Box No. III Observations where unity of invention is lacking (Continuation of item 3 of first sheet)

This International Searching Authority found multiple inventions in this international application, as follows:

**see additional sheet**

1.  As all required additional search fees were timely paid by the applicant, this international search report covers all searchable claims.
  
2.  As all searchable claims could be searched without effort justifying an additional fees, this Authority did not invite payment of additional fees.
  
3.  As only some of the required additional search fees were timely paid by the applicant, this international search report covers only those claims for which fees were paid, specifically claims Nos.:
  
4.  No required additional search fees were timely paid by the applicant. Consequently, this international search report is restricted to the invention first mentioned in the claims;; it is covered by claims Nos.:  
**1-13, 18-21**

### Remark on Protest

- The additional search fees were accompanied by the applicant's protest and, where applicable, the payment of a protest fee.
- The additional search fees were accompanied by the applicant's protest but the applicable protest fee was not paid within the time limit specified in the invitation.
- No protest accompanied the payment of additional search fees.

FURTHER INFORMATION CONTINUED FROM PCT/ISA/ 210

This International Searching Authority found multiple (groups of) inventions in this international application, as follows:

1. claims: 1-13, 18-21

Barrier system with a base to be anchored in the floor including sidewalls, and a tube extending along the base with the bottom edge of the tube below the top edges of the sidewalls

1.1. claims: 18-21

Barrier system with a base including elongate base plate and sidewalls, and a tube extending along the base contacting the upper edges of the sidewalls

---

2. claims: 14-17

Barrier system with floor rail, adjacent post and transition section extending between them

---

# INTERNATIONAL SEARCH REPORT

Information on patent family members

International application No

**PCT/US2022/049600**

Patent document cited in search report	Publication date	Patent family member(s)	Publication date	
<b>EP 0866171</b>	<b>A1</b>	<b>23-09-1998</b>	<b>BE 1011049 A3</b>	<b>06-04-1999</b>
			<b>EP 0866171 A1</b>	<b>23-09-1998</b>
-----				
<b>CA 2459684</b>	<b>A1</b>	<b>05-09-2005</b>	<b>NONE</b>	
-----				
<b>US 2018283040</b>	<b>A1</b>	<b>04-10-2018</b>	<b>NONE</b>	
-----				