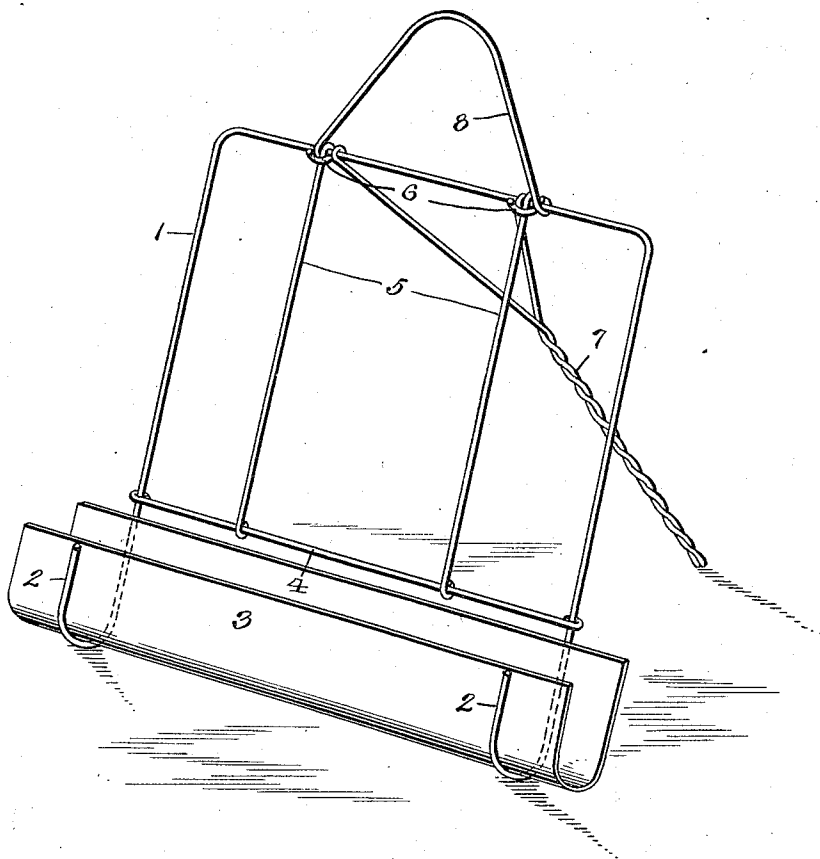


I. A. WALRADT.
FLY PAPER HOLDER.
APPLICATION FILED MAY 28, 1913.

1,149,101.

Patented Aug. 3, 1915.



Inventor
I. A. Walradt,

Witnesses

E. Andersen
E. Edwanson

By *Victor J. Evans*
Attorney

UNITED STATES PATENT OFFICE.

IDA A. WALRADT, OF EVANS MILLS, NEW YORK.

FLY-PAPER HOLDER.

1,149,101.

Specification of Letters Patent.

Patented Aug. 3, 1915.

Application filed May 28, 1913. Serial No. 770,480.

To all whom it may concern:

Be it known that I, IDA A. WALRADT, a citizen of the United States, residing at Evans Mills, in the county of Jefferson and State of New York, have invented new and useful Improvements in Fly-Paper Holders, of which the following is a specification.

This invention relates to fly paper holders and the object of the invention is to provide a simple and efficient device of this character which may be arranged to stand on a table or other suitable support or be suspended by a nail or other similar device from the wall or ceiling.

Further objects of the invention will appear as the following description is read in connection with the accompanying drawing, which forms a part of this application, and in which the figure is a perspective view.

Referring more particularly to the drawing, 1 represents a substantially U-shaped frame constructed of relatively stiff wire and having the terminals of its legs curved forwardly and upwardly so as to form a trough supporting members 2 in which a trough 3 is mounted. The legs of the U-shaped frame are braced by a transverse bar 4 and connecting this bar with the upper portion of the frame are vertical braces or supports 5 also constructed of relatively stiff wire and having their upper ends wrapped around the upper portion of the frame and terminating in forwardly extending sheet supporting hooks 6.

The frame is held in upright position by means of a pivoted leg or strut 7 which is constructed of two pieces of wire twisted together throughout a portion of their length and having their ends diverged and terminally wrapped around the horizontal portion of the frame at points inwardly of the points of connection of the vertical braces 5 with such frame. This strut may be used to support the device in the manner of an ordinary easel upon a table or other suitable support, but when it is desired to

suspend the device from the wall or ceiling, the loop 8 is utilized. This loop 8 is formed of a single strand of wire having its terminals wrapped around the horizontal portion of the frame 1 at points to opposite sides of and outwardly from the points of connection of the vertical braces 5 with said frame, whereby any accidental lateral horizontal movements of the braces 5, the strut 7, loop 8 and paper engaging hook 6 is prevented. The fly paper is supported, by engaging the same over the hooks and the portion is provided to receive the drip-pings from the fly paper.

What is claimed is:—

A fly paper holder comprising a substantially U-shaped frame inverted and having the lower free terminals of its legs forwardly and upwardly turned in spaced relation thereto, a trough secured in the forwardly and upwardly turned portions of the legs, a transverse brace connecting the legs, vertical braces disposed inwardly of and in spaced parallel relation with the legs connecting the transverse brace and the upper horizontal portion of the frame and having their upper terminals formed to produce forwardly projecting paper engaging hooks, a pivoted leg carried by the horizontal portion of the frame and connected thereto at points inwardly of the paper engaging hooks, and a pivoted loop having connection with the horizontal portion of the frame at points outwardly of the paper engaging hooks for supporting the frame when the leg is not in use, the points of connection of the pivoted leg and pivoted loop of the frame with respect to the vertical braces, prevents any accidental movement of said braces, leg and loop.

In testimony whereof I affix my signature in presence of two witnesses.

IDA A. WALRADT.

Witnesses:

ANNIE E. WALRADT,
A. E. HELMER.

Copies of this patent may be obtained for five cents each, by addressing the "Commissioner of Patents, Washington, D. C."