

(19) World Intellectual Property Organization  
International Bureau



(43) International Publication Date  
13 June 2002 (13.06.2002)

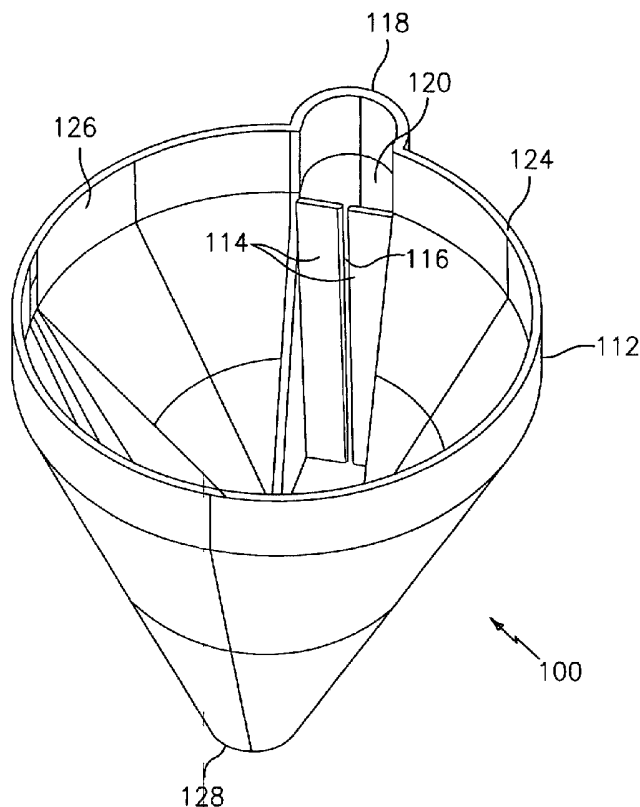
PCT

(10) International Publication Number  
**WO 02/045558 A3**

- (51) International Patent Classification<sup>7</sup>: A47J 31/06 (72) Inventor: SIMMONS, Sean; 172 Eighth Avenue, Sea Cliff, NY 11579 (US).
- (21) International Application Number: PCT/US01/28377 (74) Agents: FARRELL, Paul, J. et al.; Dilworth & Barrese, LLP, 333 Earle Ovington Boulevard, Uniondale, NY 11553 (US).
- (22) International Filing Date:  
12 September 2001 (12.09.2001)
- (25) Filing Language: English (81) Designated States (*national*): AE, AG, AL, AM, AT, AU, AZ, BA, BB, BG, BR, BY, BZ, CA, CH, CN, CO, CR, CU, CZ, DE, DK, DM, DZ, EC, EE, ES, FI, GB, GD, GE, GH, GM, HR, HU, ID, IL, IN, IS, JP, KE, KG, KP, KR, KZ, LC, LK, LR, LS, LT, LU, LV, MA, MD, MG, MK, MN, MW, MX, MZ, NO, NZ, PL, PT, RO, RU, SD, SE, SG, SI, SK, SL, TJ, TM, TR, TT, TZ, UA, UG, UZ, VN, YU, ZA, ZW.
- (26) Publication Language: English (84) Designated States (*regional*): ARIPO patent (GH, GM, KE, LS, MW, MZ, SD, SL, SZ, TZ, UG, ZW), Eurasian patent (AM, AZ, BY, KG, KZ, MD, RU, TJ, TM), European patent (AT, BE, CH, CY, DE, DK, ES, FI, FR, GB, GR, IE,
- (30) Priority Data:  
09/660,137 12 September 2000 (12.09.2000) US
- (71) Applicant: DELONGHI AMERICA INC. [US/US];  
Park 80 West Plaza One, 4th Floor, Saddle Brook, NJ  
07663 (US).

[Continued on next page]

(54) Title: COFFEE MAKER FILTER BASKET WITH STEEPING FEATURE



(57) Abstract: A filter basket (100) having a wall configured to form a basket, the wall having a drain hole (122), formed in a lower portion thereof; and means (114, 116, 120) for regulating a flow of liquid flowing into the basket into the drain hole. One embodiment of the means for regulating a flow of liquid includes a pair of planar surfaces (114) positioned within the basket and connected to an inner surface of the wall, wherein the pair of planar surfaces define a longitudinal slot (116) therebetween. The size of the slot is configured to restrict the flow of fluid through the basket to maintain a predetermined level of fluid within the basket for a predetermined dwell period of about five minutes to about seven minutes.



WO 02/045558 A3



IT, LU, MC, NL, PT, SE, TR), OAPI patent (BF, BJ, CF, CG, CI, CM, GA, GN, GQ, GW, ML, MR, NE, SN, TD, TG).

**(88) Date of publication of the international search report:**  
17 April 2003

**Published:**

— *with international search report*

*For two-letter codes and other abbreviations, refer to the "Guidance Notes on Codes and Abbreviations" appearing at the beginning of each regular issue of the PCT Gazette.*

## INTERNATIONAL SEARCH REPORT

International Application No

PC S 01/28377

A. CLASSIFICATION OF SUBJECT MATTER  
IPC 7 A47J31/06

According to International Patent Classification (IPC) or to both national classification and IPC

## B. FIELDS SEARCHED

Minimum documentation searched (classification system followed by classification symbols)  
IPC 7 A47J

Documentation searched other than minimum documentation to the extent that such documents are included in the fields searched

Electronic data base consulted during the international search (name of data base and, where practical, search terms used)

EPO-Internal

## C. DOCUMENTS CONSIDERED TO BE RELEVANT

Category °	Citation of document, with indication, where appropriate, of the relevant passages	Relevant to claim No.
X	DE 42 35 026 A (FARIDI ALI MOHAMED DIPL ING) 24 February 1994 (1994-02-24) column 2, line 18-63; figures ---	1,8
X	US 5 927 179 A (VAITKUS JOSEPH ET AL) 27 July 1999 (1999-07-27) abstract ---	1,15,16, 22
X	GB 2 111 377 A (BENTZ AND SOHN KG MELITTA WERK) 6 July 1983 (1983-07-06) abstract ---	17-19
X	WO 95 01293 A (PROCTER & GAMBLE) 12 January 1995 (1995-01-12) abstract page 17, paragraph 3 -----	20,21

Further documents are listed in the continuation of box C.

Patent family members are listed in annex.

° Special categories of cited documents :

"A" document defining the general state of the art which is not considered to be of particular relevance

"E" earlier document but published on or after the international filing date

"L" document which may throw doubts on priority claim(s) or which is cited to establish the publication date of another citation or other special reason (as specified)

"O" document referring to an oral disclosure, use, exhibition or other means

"P" document published prior to the international filing date but later than the priority date claimed

"T" later document published after the international filing date or priority date and not in conflict with the application but cited to understand the principle or theory underlying the invention

"X" document of particular relevance; the claimed invention cannot be considered novel or cannot be considered to involve an inventive step when the document is taken alone

"Y" document of particular relevance; the claimed invention cannot be considered to involve an inventive step when the document is combined with one or more other such documents, such combination being obvious to a person skilled in the art.

"&" document member of the same patent family

Date of the actual completion of the international search

2 April 2002

Date of mailing of the international search report

14. 10. 2002

Name and mailing address of the ISA

European Patent Office, P.B. 5818 Patentlaan 2  
NL - 2280 HV Rijswijk  
Tel. (+31-70) 340-2040, Tx. 31 651 epo nl,  
Fax: (+31-70) 340-3016

Authorized officer

Van Bastelaere, T

# INTERNATIONAL SEARCH REPORT

International application No.  
PCT/US 01/28377

## Box I Observations where certain claims were found unsearchable (Continuation of item 1 of first sheet)

This International Search Report has not been established in respect of certain claims under Article 17(2)(a) for the following reasons:

1.  Claims Nos.:  
because they relate to subject matter not required to be searched by this Authority, namely:
  
2.  Claims Nos.:  
because they relate to parts of the International Application that do not comply with the prescribed requirements to such an extent that no meaningful International Search can be carried out, specifically:
  
3.  Claims Nos.:  
because they are dependent claims and are not drafted in accordance with the second and third sentences of Rule 6.4(a).

## Box II Observations where unity of invention is lacking (Continuation of item 2 of first sheet)

This International Searching Authority found multiple inventions in this international application, as follows:

see additional sheet

1.  As all required additional search fees were timely paid by the applicant, this International Search Report covers all searchable claims.
2.  As all searchable claims could be searched without effort justifying an additional fee, this Authority did not invite payment of any additional fee.
3.  As only some of the required additional search fees were timely paid by the applicant, this International Search Report covers only those claims for which fees were paid, specifically claims Nos.:
4.  No required additional search fees were timely paid by the applicant. Consequently, this International Search Report is restricted to the invention first mentioned in the claims; it is covered by claims Nos.:

see additional sheet

Remark on Protest

- The additional search fees were accompanied by the applicant's protest.
- No protest accompanied the payment of additional search fees.

FURTHER INFORMATION CONTINUED FROM PCT/ISA/ 210

This International Searching Authority found multiple (groups of) inventions in this international application, as follows:

1. Claims: Independent claims 1, 17,  
20 and 22 and dependent claims 2-8,15-16,18-19,21

Filter basket with means for immediately but gradually releasing the steeped liquid.

2. Claims: Independent claim 9 and dependent claims 10-11

A filter basket with adjustable regulating means for releasing the steeped liquid.

3. Claims: Independent claim 1 in combination with dependent claims 12-14

A filter basket with blocking means for the steeped liquid

## INTERNATIONAL SEARCH REPORT

Information on patent family members

International Application No

PCT/US 01/28377

Patent document cited in search report		Publication date	Patent family member(s)	Publication date
DE 4235026	A	24-02-1994	DE 4235026 A1	24-02-1994
US 5927179	A	27-07-1999	CA 2225015 A1 EP 0898917 A1	02-03-1999 03-03-1999
GB 2111377	A	06-07-1983	AT 34070 T AU 556799 B2 AU 9023182 A BR 8206532 A CA 1183359 A1 DE 3278455 D1 DK 500082 A ,B, EP 0079235 A2 FI 823814 A ,B, JP 1662699 C JP 3022166 B JP 58099922 A NO 823702 A ,B, ZA 8208180 A	15-05-1988 20-11-1986 19-05-1983 27-09-1983 05-03-1985 16-06-1988 11-05-1983 18-05-1983 11-05-1983 19-05-1992 26-03-1991 14-06-1983 11-05-1983 28-09-1983
WO 9501293	A	12-01-1995	AU 7200794 A CA 2165691 A1 CN 1126462 A EP 0705206 A1 WO 9501293 A1 US 5633026 A	24-01-1995 12-01-1995 10-07-1996 10-04-1996 12-01-1995 27-05-1997