

[54] **COMBINED VEHICLE SEAT ARM REST AND DRINK HOLDER**

[76] **Inventor: Michael L. Flanagan, 6096 TaraWood Dr., Orlando, Fla. 32811**

[**] **Term: 14 Years**

[21] **Appl. No.: 499,839**

[22] **Filed: Jun. 1, 1983**

[52] **U.S. Cl. D3/40; D6/500**

[58] **Field of Search D3/40; D6/491, 500; D7/38; 206/19.5**

[56] **References Cited**

U.S. PATENT DOCUMENTS

D. 207,902 6/1967 Bray D3/40

D. 252,540 8/1979 Murphy D3/40
D. 259,835 7/1981 Page Jr. D3/40
D. 267,444 1/1983 Ruxton D3/40
D. 268,072 3/1983 Boggs D7/38 X
3,561,589 2/1971 Larkin, Jr. 206/19.5

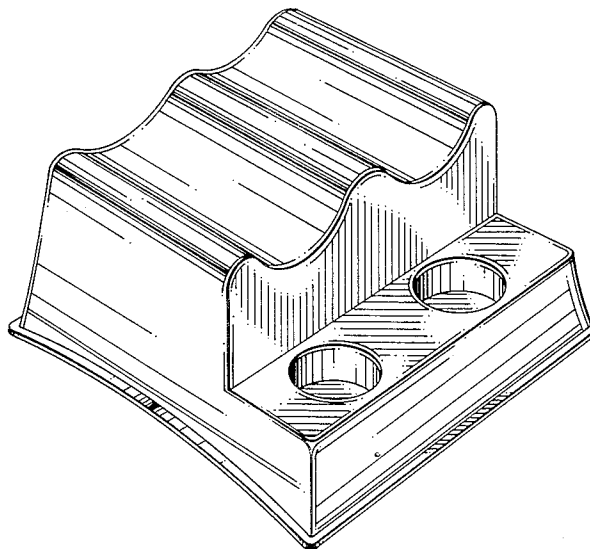
Primary Examiner—Bruce W. Dunkins
Attorney, Agent, or Firm—William M. Hobby, III

[57] **CLAIM**

The ornamental design for a combined vehicle seat arm rest and drink holder, as shown and described.

DESCRIPTION

FIG. 1 is a top perspective view of a combined vehicle arm rest and drink holder showing my design; FIG. 2 is a bottom perspective view thereof; the bottom is an identical backward image of the top.



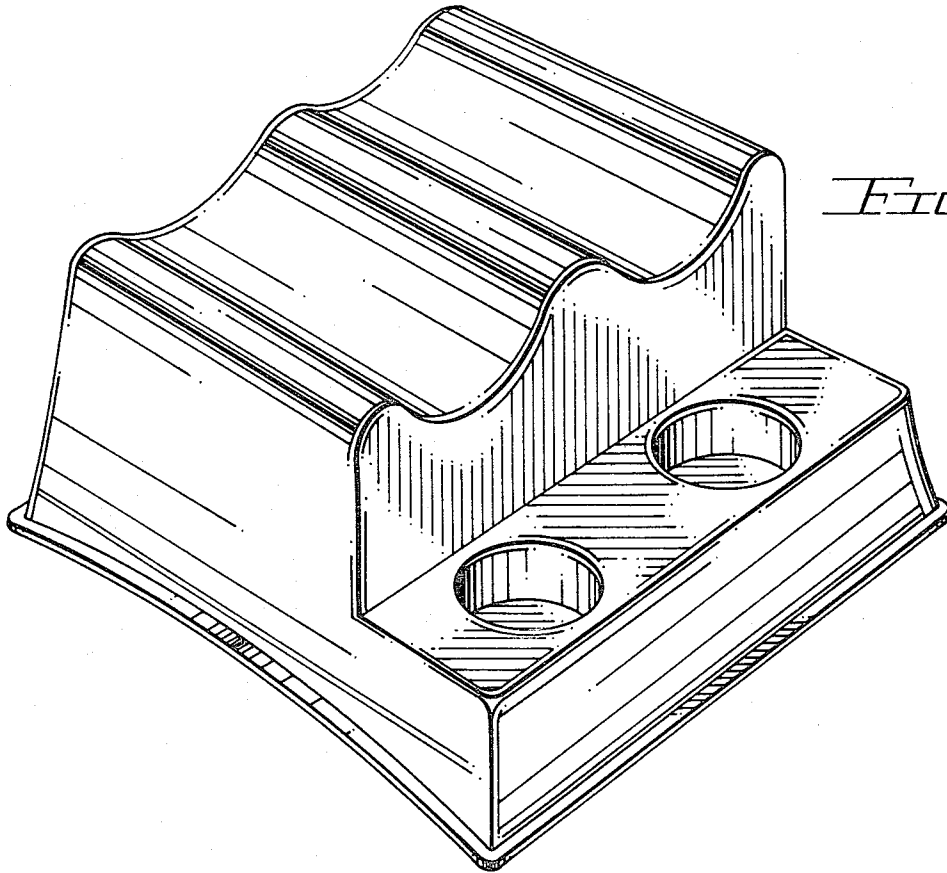


FIG. 1

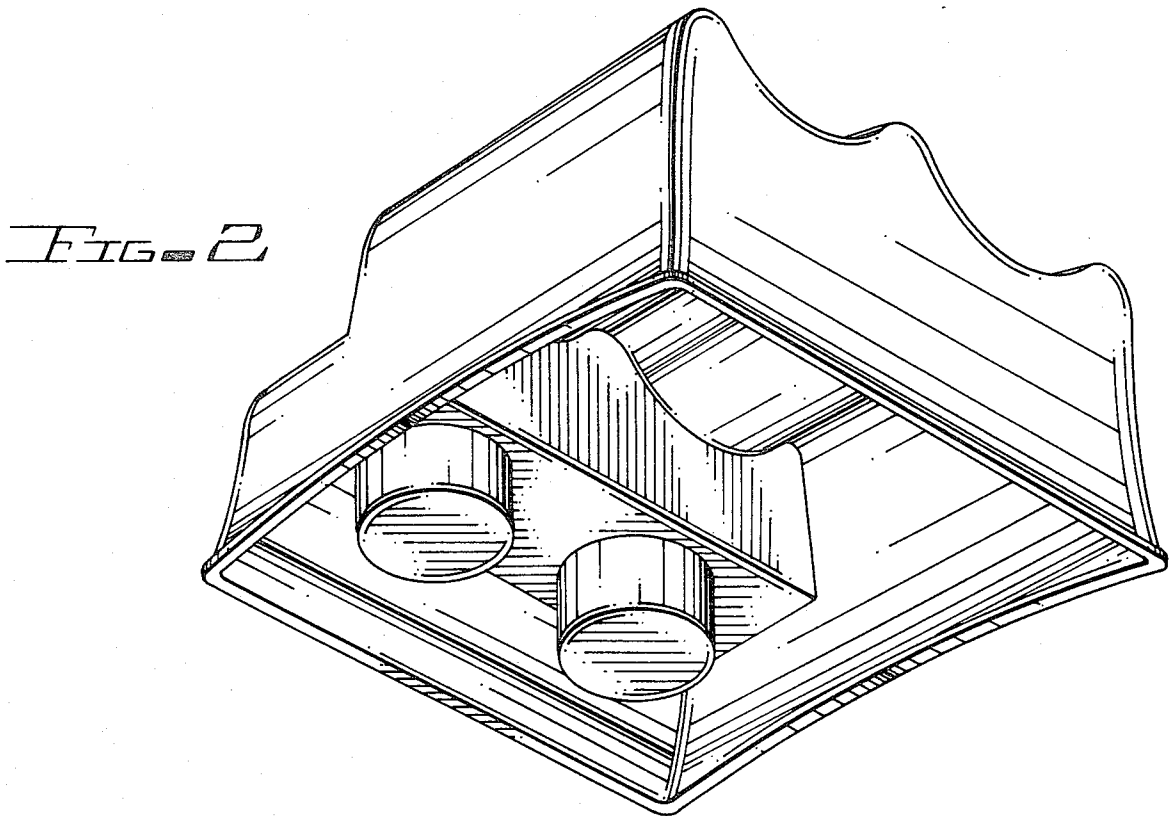


FIG. 2