



US00D409677S

United States Patent [19]

[11] Patent Number: **Des. 409,677**

Jensen

[45] Date of Patent: **** May 11, 1999**

[54] **TOY BUILDING ELEMENT**

4,813,903	3/1989	Furukawa	446/103
5,071,384	12/1991	Poulsen	446/103
5,199,919	4/1993	Glickman	446/124
5,322,466	6/1994	Bolli et al.	446/121
5,681,201	10/1997	Choi	446/111

[75] Inventor: **Jens Laulund Jensen**, Billund, Denmark

[73] Assignee: **INTERLEGO AG**, Baar, Switzerland

Primary Examiner—Raphael Barkai
Attorney, Agent, or Firm—Kane, Dalsimer, Sullivan, Kurucz, Levy, Eisele and Richard, LLP

[**] Term: **14 Years**

[21] Appl. No.: **29/093,728**

[57] CLAIM

[22] Filed: **Sep. 17, 1998**

The ornamental design for a toy building element, as shown and described.

[30] Foreign Application Priority Data

DESCRIPTION

Mar. 18, 1998 [DK] Denmark MA 0297 1998

[51] **LOC (6) Cl.** **21-01**

FIG. 1 is a top perspective view of the toy building element, FIG. 2 is a top plan view thereof, FIG. 3 is a front elevational view thereof, FIG. 4 is a bottom plan view thereof, FIG. 5 is a right side elevational view thereof, FIG. 6 is a left side elevational view thereof, FIG. 7 is a rear elevational view thereof; and, FIG. 8 is a bottom perspective view thereof.

[52] **U.S. Cl.** **D21/487; D21/486**

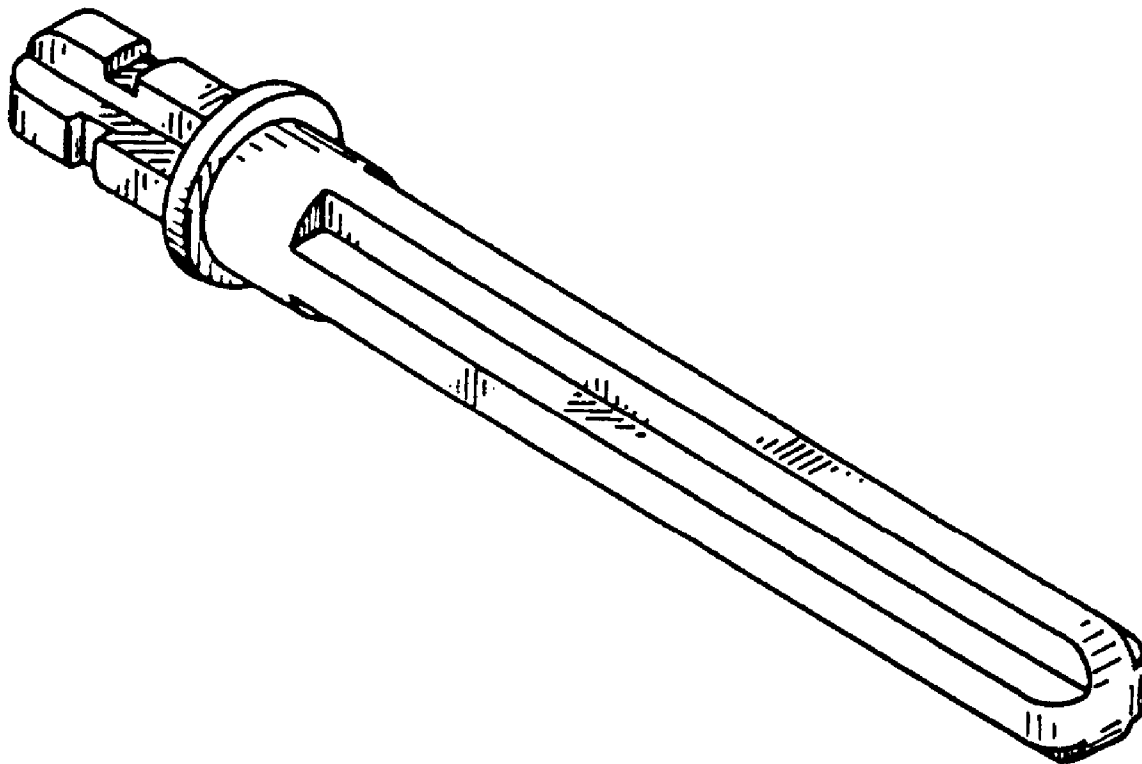
[58] **Field of Search** D21/483-505, D21/561; 446/85, 90, 93-96, 102-108, 120-122, 124-125, 128

[56] References Cited

U.S. PATENT DOCUMENTS

D. 367,897 3/1996 Schmidt et al. D21/486

1 Claim, 2 Drawing Sheets



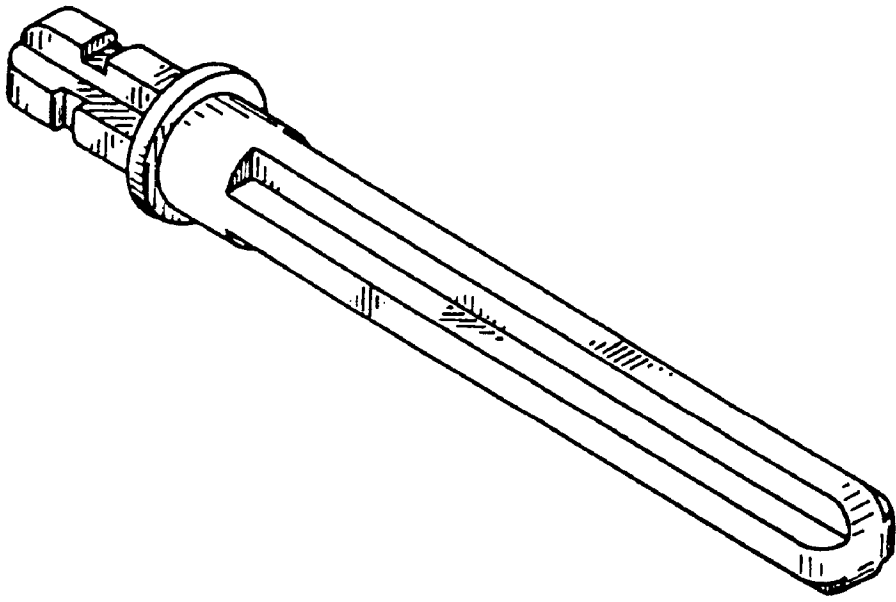


FIG. 1

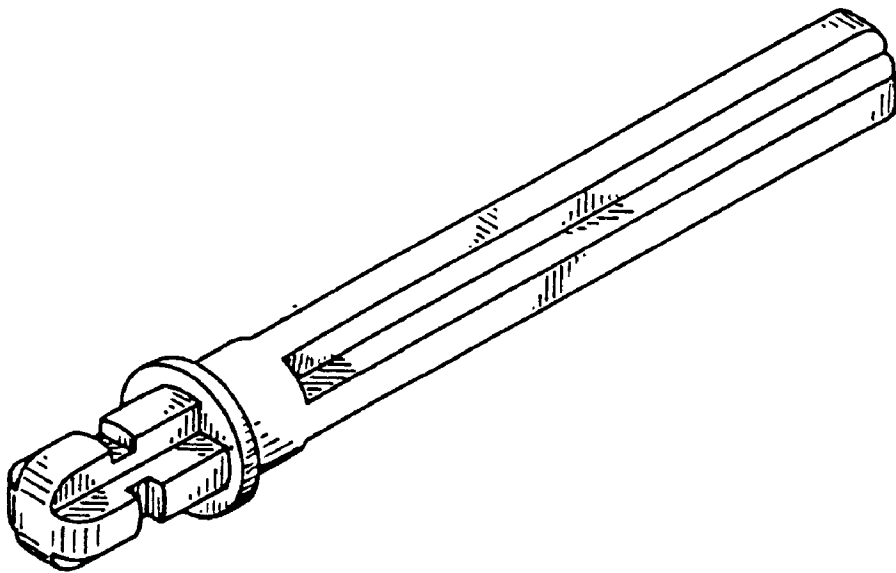


FIG. 8

FIG. 2



FIG. 7

FIG. 3

FIG. 6

FIG. 5



FIG. 4