

(19) World Intellectual Property
Organization
International Bureau



(43) International Publication Date
13 January 2005 (13.01.2005)

PCT

(10) International Publication Number
WO 2005/002925 A3

(51) International Patent Classification⁷: **B60R 5/00**

PH, PL, PT, RO, RU, SC, SD, SE, SG, SK, SL, SY, TJ, TM, TN, TR, TT, TZ, UA, UG, US, UZ, VC, VN, YU, ZA, ZM, ZW.

(21) International Application Number:
PCT/NL2004/000484

(22) International Filing Date: 6 July 2004 (06.07.2004)

(25) Filing Language: Dutch

(26) Publication Language: English

(30) Priority Data:
1023838 7 July 2003 (07.07.2003) NL

(71) Applicant and

(72) Inventor: **DIJKSHOORN, Ridder** [NL/NL]; Griendweg 17, NL-3211 XC Geervliet (NL).

(84) Designated States (unless otherwise indicated, for every kind of regional protection available): ARIPO (BW, GH, GM, KE, LS, MW, MZ, NA, SD, SL, SZ, TZ, UG, ZM, ZW), Eurasian (AM, AZ, BY, KG, KZ, MD, RU, TJ, TM), European (AT, BE, BG, CH, CY, CZ, DE, DK, EE, ES, FI, FR, GB, GR, HU, IE, IT, LU, MC, NL, PL, PT, RO, SE, SI, SK, TR), OAPI (BF, BJ, CF, CG, CI, CM, GA, GN, GQ, GW, ML, MR, NE, SN, TD, TG).

Published:

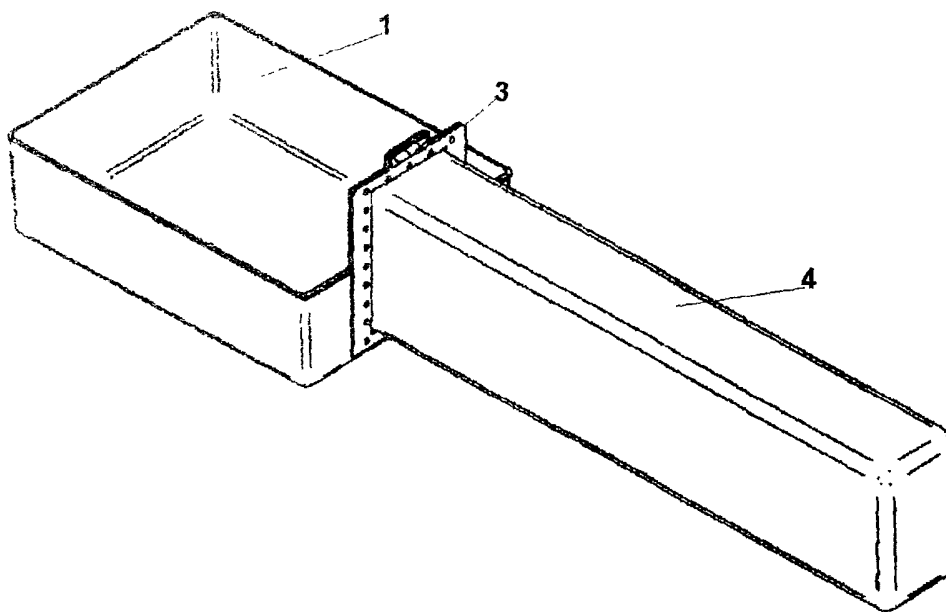
- with international search report
- before the expiration of the time limit for amending the claims and to be republished in the event of receipt of amendments

(88) Date of publication of the international search report:
3 March 2005

For two-letter codes and other abbreviations, refer to the "Guidance Notes on Codes and Abbreviations" appearing at the beginning of each regular issue of the PCT Gazette.

(81) Designated States (unless otherwise indicated, for every kind of national protection available): AE, AG, AL, AM, AT, AU, AZ, BA, BB, BG, BR, BW, BY, BZ, CA, CH, CN, CO, CR, CU, CZ, DE, DK, DM, DZ, EC, EE, EG, ES, FI, GB, GD, GE, GH, GM, HR, HU, ID, IL, IN, IS, JP, KE, KG, KP, KR, KZ, LC, LK, LR, LS, LT, LU, LV, MA, MD, MG, MK, MN, MW, MX, MZ, NA, NI, NO, NZ, OM, PG,

(54) Title: SKI CARRIER FOR AUTOMOBILES



(57) Abstract: The invention concerns a device to transport ski's in an automobile where pollution of the automobile by wet snow or ice is prevented. The invention does that by mounting a flange (13) on a sack (4) that can be slid in an opening in a container (1). The sack (4) fits in the opening in the rear seat of an automobile so that the sack (4) can reach in the passenger compartment and the container is put in the baggage compartment. The connecting device prevents by its size that the system with its contents slides forward into the passenger compartment when applying the brakes of the automobile.

WO 2005/002925 A3

INTERNATIONAL SEARCH REPORT

NL2004/000484

A. CLASSIFICATION OF SUBJECT MATTER
IPC 7 B60R5/00

According to International Patent Classification (IPC) or to both national classification and IPC

B. FIELDS SEARCHED

Minimum documentation searched (classification system followed by classification symbols)
IPC 7 B60R

Documentation searched other than minimum documentation to the extent that such documents are included in the fields searched

Electronic data base consulted during the international search (name of data base and, where practical, search terms used)

EPO-Internal, WPI Data, PAJ

C. DOCUMENTS CONSIDERED TO BE RELEVANT

Category °	Citation of document, with indication, where appropriate, of the relevant passages	Relevant to claim No.
X	FR 2 278 537 A (OBRY) 13 February 1976 (1976-02-13) abstract page 1, line 18 - page 4, line 10 figure	1-4
Y	DE 34 00 143 A (BMW) 18 July 1985 (1985-07-18) abstract page 5, line 20 - page 6, line 3; figures 3,4	1,2,4
A		5
Y	CH 438 052 A (HORNUMG) 15 June 1967 (1967-06-15) page 3, line 5 - line 15 figures 1,2	1,2,4
	----- -/--	

Further documents are listed in the continuation of box C.

Patent family members are listed in annex.

° Special categories of cited documents :

- *A* document defining the general state of the art which is not considered to be of particular relevance
- *E* earlier document but published on or after the international filing date
- *L* document which may throw doubts on priority claim(s) or which is cited to establish the publication date of another citation or other special reason (as specified)
- *O* document referring to an oral disclosure, use, exhibition or other means
- *P* document published prior to the international filing date but later than the priority date claimed

- *T* later document published after the international filing date or priority date and not in conflict with the application but cited to understand the principle or theory underlying the invention
- *X* document of particular relevance: the claimed invention cannot be considered novel or cannot be considered to involve an inventive step when the document is taken alone
- *Y* document of particular relevance: the claimed invention cannot be considered to involve an inventive step when the document is combined with one or more other such documents, such combination being obvious to a person skilled in the art.
- *Z* document member of the same patent family

Date of the actual completion of the international search

10 December 2004

Date of mailing of the international search report

22/12/2004

Name and mailing address of the ISA

European Patent Office, P.B. 5818 Patentlaan 2
NL - 2280 HV Rijswijk
Tel. (+31-70) 340-2040, Tx. 31 651 epo nl,
Fax: (+31-70) 340-3016

Authorized officer

Peltz, P

INTERNATIONAL SEARCH REPORT

NL2004/000484

C.(Continuation) DOCUMENTS CONSIDERED TO BE RELEVANT		
Category °	Citation of document, with indication, where appropriate, of the relevant passages	Relevant to claim No.
A	DE 195 28 787 C (MERCEDES-BENZ) 12 September 1996 (1996-09-12) abstract figure 1 -----	

INTERNATIONAL SEARCH REPORT

Information on patent family members

NL2004/000484

Patent document cited in search report	Publication date	Patent family member(s)	Publication date
FR 2278537 A	13-02-1976	FR 2278537 A1	13-02-1976
DE 3400143 A	18-07-1985	DE 3400143 A1	18-07-1985
CH 438052 A	15-06-1967	NONE	
DE 19528787 C	12-09-1996	DE 19528787 C1	12-09-1996